

MIRO SAFE+ SWITCH ECOA 24

24 VAC/DC - 2 N/O contact /1 PLC output

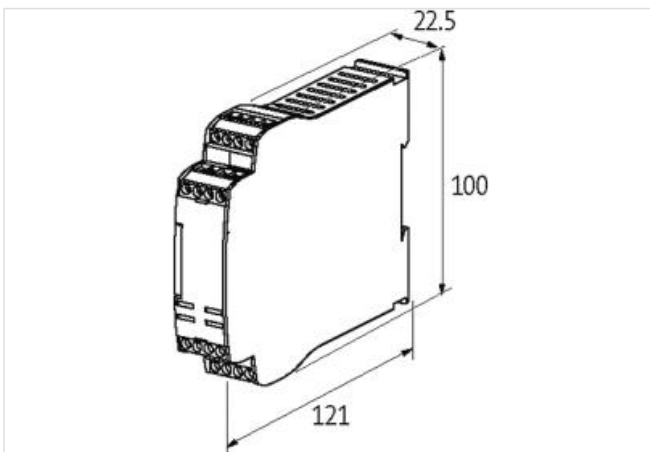
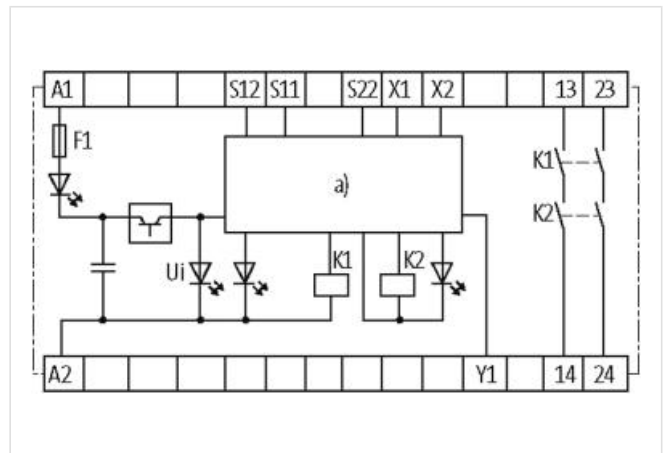
4 A

Protection-door and emergency-stop control

Light curtain control

Safety magnetic switch control

Automatic/manual reset/start

[Link to Product](#)**Illustration**

Product may differ from Image

**Input**

Input voltage	24 V DC (-15 +20%), 24 V AC (-15 +10%)
Input current	max. 5.2 VA/2.0 W

Output

No. of alarm outputs	1 - (Y1)
Contact material	Ag Sn O, self cleaning, positively driven

Switching voltage	max. 250 V AC/DC
No. of safety contacts	2 - (13-14; 23-24)
No. of auxiliary contacts	0
Switching current per output	max. 4 A

General data

Mounting method	DIN-rail mountable (EN 60715)
Temperature range	-25...+60 °C (storage temperature -40...+85 °C)
Mech./ elect. life	10 000 000 switching cycles/load dependent
Connection	Screw terminals
Dimensions HxWxD	100x22.5x121 mm

Utilization category

Alarm outputs	100 mA (24 V DC)
AC-15	2 A (230 V AC) STOP0
Safety contacts (STOP 0)	max. 250 V AC/4 A; min. 5 V AC/1 mA (resist./ind.), at suitable suppression
DC-13	1 A (24 V DC) STOP0

Safety Indicators

PL	up to 4
----	---------