

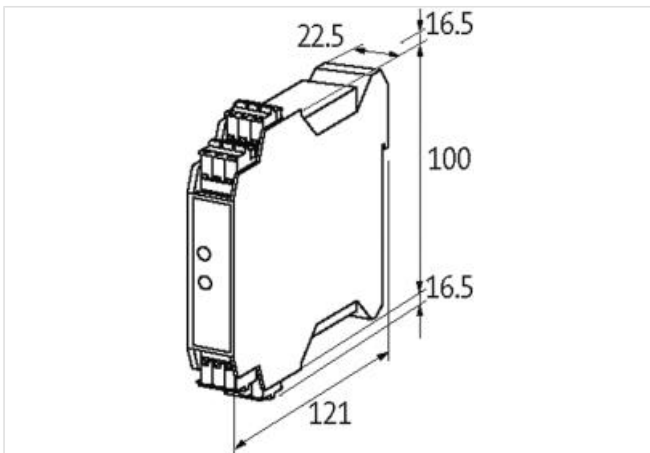
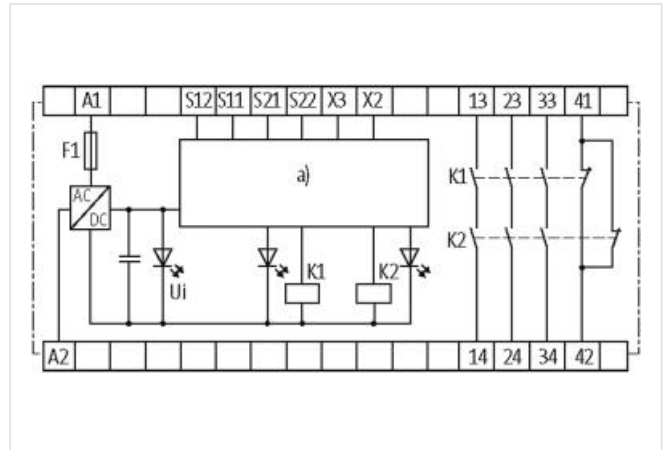
MIRO SAFE+ SWITCH H 48-230

48-230 VAC - 3 N/O contact / 1 N/C contact

6 A
Protection-door and emergency-stop control
Automatic/manual/manual monitored reset/start

[Link to Product](#)

Illustration



Product may differ from Image



Input

Input voltage	48...240 V AC
Input current	max. 2.8 VA

Output

No. of alarm outputs	0
Contact material	Ag Sn O, self cleaning, positively driven
Switching voltage	max. 250 V AC/DC

No. of safety contacts	3 - (13-14); (23-24); (33-34)
No. of auxiliary contacts	1 - (41-42)
Switching current per output	max. 6 A

General data

Mounting method	DIN-rail mountable (EN 60715)
Temperature range	-25...+45 °C (storage temperature -40...+85 °C)
Mech./ elect. life	10 000 000 switching cycles/load dependent
Connection	Spring clamp plug-in terminals
Dimensions HxWxD	100x22.5x121 mm

Utilization category

AC-15	6 A (230 V AC) STOP0
Safety contacts (STOP 0)	max. 250 V AC/6 A; min. 10 V AC/10 mA (resist./ind.), at suitable suppression
DC-13	6 A (24 V DC) STOP0

Safety Indicators

DC	99%
Service life	20 years
Category	up to 4
PL	up to e
SIL	up to 3