

**DRI424012**

**Weidmüller Interface GmbH & Co. KG**  
 Klingenbergstraße 26  
 D-32758 Detmold  
 Germany  
 www.weidmueller.com

**Product image**



Similar to illustration

Individual relays within the D-SERIES DRI

- 2 CO contact
- Optional AC or DC coils

**General ordering data**

Version	D-SERIES DRI, Relay, Number of contacts: 2, CO contact AgSnO, Rated control voltage: 12 V DC, Continuous current: 5 A, Flat blade connections (2.5 mm x 0.5 mm), Test button available: No
Order No.	<a href="#">7760056321</a>
Type	DRI424012
GTIN (EAN)	6944 169740268
Qty.	20 Stück

## DRI424012

**Weidmüller Interface GmbH & Co. KG**  
 Klingenbergstraße 26  
 D-32758 Detmold  
 Germany

www.weidmueller.com

## Technische Daten

### Dimensions and weights

Depth	28 mm	Depth (inches)	1,102 inch
Height	31 mm	Height (inches)	1,22 inch
Width	13 mm	Width (inches)	0,512 inch
Net weight	10,55 g		

### Temperatures

Storage temperature	-40 °C...85 °C	Operating temperature	-40 °C...55 °C
Operating temperature, min.	-40 °C	Operating temperature, max.	55 °C
Humidity	35...85 % rel. humidity, no condensation		

### Rated data UL

Certificate No. (cURus)	E312083
-------------------------	---------

### Control side

Rated control voltage	12 V DC	Rated current DC	44,4 mA
Power rating	530 mW	Pull-in/drop-out voltage, typ.	9 V / 1.8 V DC
Coil resistance	270 Ω ± 10 %	Coil tolerance	10 %
Status indicator	No		

### Load side

Rated switching voltage	250 V AC	Continuous current	5 A
Max. switching frequency at rated load	0,1 Hz	Max. switching voltage, DC	250 V
AC switching capacity (resistive), max.	1250 VA	DC switching capacity (resistive), max.	150 W @ 24 V
Switch-on delay	≤ 15 ms	Switch-off delay	≤ 10 ms
Contact type	2 CO contact (AgSnO)	Mechanical service life	10 x 10 <sup>6</sup> switching cycles
Min. switching power	10 mA @ 24 V, 10 mA @ 12 V, 100 mA @ 5 V		

### General data

Test button available	No	
Mechanical switch position indicator	No	
Colour	Transparent	
UL94 flammability rating component	Component	Relay cover
	UL94 flammability rating	V-2
	Component	Relay baseplate
	UL94 flammability rating	V-0

### Insulation coordination

Rated voltage	300 V	Pollution severity	2
Surge voltage category	III	Insulating material group	IIIa
Clearance and creepage distances for control side - load side	≥ 4 mm	Dielectric strength for control side - load side	5 kV <sub>eff</sub> / 1 min
Dielectric strength of neighbouring contacts	1.5 kV <sub>eff</sub> / 1 min.	Dielectric strength of open contact	1 kV <sub>eff</sub> / 1 min
Impulse withstand voltage	5 kV (1.2/50 μs)	Protection degree	IP20

**DRI424012**

**Weidmüller Interface GmbH & Co. KG**  
 Klingenbergstraße 26  
 D-32758 Detmold  
 Germany

www.weidmueller.com

## Technische Daten

### Further details of approvals / standards

Certificate No. (cURus) E312083

### Connection data

Wire connection method Flat blade connections  
 (2.5 mm x 0.5 mm)

### Classifications

ETIM 6.0	EC001437	ETIM 7.0	EC001437
ETIM 8.0	EC001437	ECLASS 9.0	27-37-16-01
ECLASS 9.1	27-37-16-01	ECLASS 10.0	27-37-16-01
ECLASS 11.0	27-37-16-01	ECLASS 12.0	27-37-16-01

### Environmental Product Compliance

REACH SVHC Lead 7439-92-1

### Approvals

Approvals



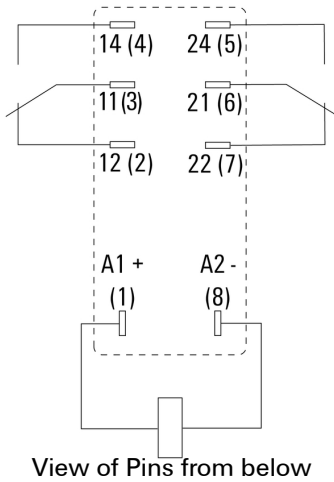
ROHS Conform  
 UL File Number Search UL Website  
 Certificate No. (cURus) E312083

### Downloads

Approval/Certificate/Document of Conformity [EU Konformitätserklärung / EU Declaration of Conformity](#)  
 Engineering Data [CAD data – STEP](#)  
 Engineering Data [WSCAD, EPLAN](#)  
 Catalogues [Catalogues in PDF-format](#)

Zeichnungen

Wiring diagram



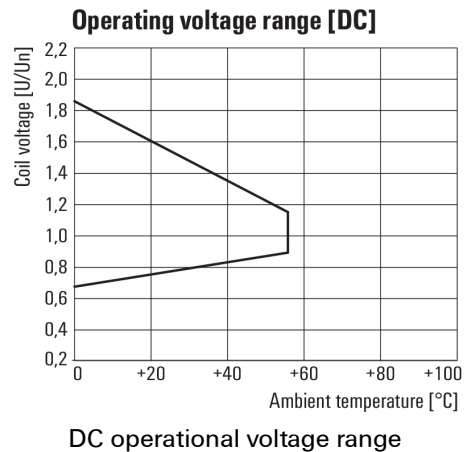
Graph



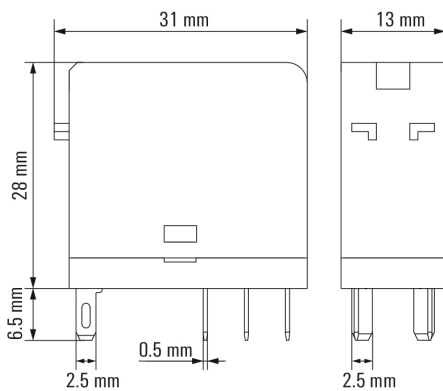
Graph



Graph



Dimensional drawing



## DRI424012

**Weidmüller Interface GmbH & Co. KG**  
 Klingenbergstraße 26  
 D-32758 Detmold  
 Germany

www.weidmueller.com

## Accessories

### Sockets



Relay sockets for the D-SERIES DRI relays

- 1 and 2 CO contacts
- Screw and PUSH IN connection
- Standard and low heights

### General ordering data

Type	SDI 2CO	Version
Order No.	<a href="#">7760056351</a>	D-SERIES DRI, Relay socket, Number of contacts: 2, CO contact,
GTIN (EAN)	6944169739989	Continuous current: 8 A, Screw connection
Qty.	10 Stück	
Type	SDI 2CO ECO	Version
Order No.	<a href="#">7760056347</a>	D-SERIES DRI, Relay socket, Number of contacts: 2, CO contact,
GTIN (EAN)	6944169739941	Continuous current: 8 A, Screw connection
Qty.	10 Stück	
Type	SDI 2CO P	Version
Order No.	<a href="#">7760056365</a>	D-SERIES DRI, Relay socket, Number of contacts: 2, CO contact,
GTIN (EAN)	6944169772290	Continuous current: 8 A, PUSH IN
Qty.	20 Stück	
Type	SDI 2CO F ECO	Version
Order No.	<a href="#">7760056349</a>	D-SERIES DRI, Relay socket, Number of contacts: 2, CO contact,
GTIN (EAN)	6944169739965	Continuous current: 8 A, Screw connection
Qty.	10 Stück	

**DRI424012**

**Weidmüller Interface GmbH & Co. KG**  
 Klingenbergstraße 26  
 D-32758 Detmold  
 Germany

www.weidmueller.com

## Accessories

### Custom printing



ESG is the tried-and-tested marker in MultiCard format for use on many well-known electrical devices. The result is high-quality device marking with a high-contrast appearance.

Various types are available for devices from manufacturers like Siemens, ABB, Beckhoff etc. Advantages at a glance:

- Tags for universal usage, self-adhesive or clip-on tags, depending on type
- For aligned equipment, e.g. circuit breakers, we supply ESG markers for clipping onto tag rails
- Individual laser-quality printing according to specifications

**For custom printing:** Please send us a file of our labeling software M-Print PRO or M-Print PRO Online (without installation) for your labeling specifications.

### General ordering data

Type	ESG 6/15 SDI MC SDR	Version
Order No.	<a href="#">2558310000</a>	ESG, Device markers x 15 mm, PA 66, Colour: To customer specification
GTIN (EAN)	4050118569025	
Qty.	40 Stück	

### ESG 6/15



#### Guaranteed long service life: ESG

The multi-colour and multi-format labels have a strong adhesive layer to ensure the best possible adhesion to the underlying surface. Double laminated polyester makes the basic material very thin and yet extremely tear-resistant.

#### Your benefits with MultiMark

- "Different materials for various requirements"
- Can be used with equipment from many manufacturers
- Device markers with a familiar design

### General ordering data

Type	ESG 6/15 MM WS	Version
Order No.	<a href="#">2619940000</a>	ESG, Device markers, 6 x 15 mm, white
GTIN (EAN)	4050118626148	
Qty.	3.000 Stück	

## DRI424012

**Weidmüller Interface GmbH & Co. KG**  
 Klingenbergstraße 26  
 D-32758 Detmold  
 Germany

www.weidmueller.com

## Accessories

### Blank



ESG is the tried-and-tested marker in MultiCard format for use on many well-known electrical devices. The result is high-quality device marking with a high-contrast appearance.

Various types are available for devices from manufacturers like Siemens, ABB, Beckhoff etc. Advantages at a glance:

- Tags for universal usage, self-adhesive or clip-on tags, depending on type
- For aligned equipment, e.g. circuit breakers, we supply ESG markers for clipping onto tag rails
- Individual laser-quality printing according to specifications

**For custom printing:** Please send us a file of our labeling software M-Print PRO or M-Print PRO Online (without installation) for your labeling specifications.

### General ordering data

Type	ESG 6/15 SDI MC NE WS	Version
Order No.	<a href="#">2558340000</a>	ESG, Device markers x 15 mm, PA 66, Colour: white
GTIN (EAN)	4050118569056	
Qty.	200 Stück	

### Protection modules



Pluggable protective modules for the D-SERIES relay sockets, with optional protective functions.

- With free-wheeling diode or RC filter

### General ordering data

Type	RIM 1 6/230VDC	Version
Order No.	<a href="#">7760056169</a>	D-SERIES, Free-wheeling diode, Rated control voltage: 6...230 V, Plug-in connection
GTIN (EAN)	4032248967728	
Qty.	10 Stück	

## DRI424012

**Weidmüller Interface GmbH & Co. KG**  
 Klingenbergstraße 26  
 D-32758 Detmold  
 Germany

www.weidmueller.com

## Accessories

### LED



Pluggable protective modules for the D-SERIES relay sockets, with optional protective functions.

- With green LED

### General ordering data

Type	RIM 3 6/24VUC	Version
Order No.	<a href="#">7940018457</a>	D-SERIES, LED module, Rated control voltage: 6...24 V UC, Plug-in connection
GTIN (EAN)	4032248878192	
Qty.	10 Stück	

### Retaining clips



Retaining clip for D-SERIES DRI relays

- Metal and plastic retaining clip

### General ordering data

Type	SDI CLIP LM	Version
Order No.	<a href="#">7760056368</a>	D-SERIES DRI, Retaining clip
GTIN (EAN)	6944169773341	
Qty.	10 Stück	
Type	SDI CLIP	Version
Order No.	<a href="#">7760056352</a>	D-SERIES DRI, Retaining clip
GTIN (EAN)	6944169739996	
Qty.	10 Stück	
Type	SDI CLIP P	Version
Order No.	<a href="#">7760056389</a>	D-SERIES DRI, Retaining clip
GTIN (EAN)	6944169787539	
Qty.	10 Stück	



**DRI424012**

**Weidmüller Interface GmbH & Co. KG**  
 Klingenbergstraße 26  
 D-32758 Detmold  
 Germany

www.weidmueller.com

## Accessories

### LED / free-wheel diode



Pluggable protective modules for the D-SERIES relay sockets, with optional protective functions.

- With green LED and free-wheeling diode

### General ordering data

Type	RIM 2 6/24VDC	Version	
Order No.	<a href="#">7760056015</a>	D-SERIES, LED module with freewheel diode, Rated control voltage:	
GTIN (EAN)	4032248878116	6...24 V DC, Plug-in connection	
Qty.	10 Stück		

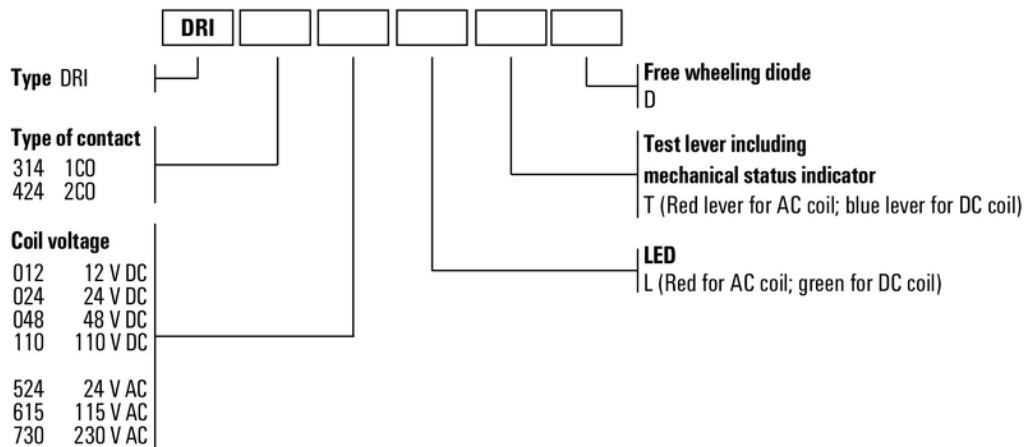
## DRI424012

**Weidmüller Interface GmbH & Co. KG**  
 Klingenbergstraße 26  
 D-32758 Detmold  
 Germany

www.weidmueller.com

## Zeichnungen

### Miscellaneous



Type codes