

## ENERGY METER 610-230

**Weidmüller Interface GmbH & Co. KG**

Klingenbergstraße 26

D-32758 Detmold

Germany

[www.weidmueller.com](http://www.weidmueller.com)



Energy meters - ValueLine

### Advanced functionality of energy data capture

The scope of performance of the ValueLine energy meters goes beyond the core functions of energy measurement.

They are also suitable for determining, storing and visualising further energy quality parameters.

The free "ecoExplorer go" software is available for most types of the product group,

on the one hand for device configuration / commissioning / visualisation of the measured values and on the other hand for analysing the power quality.

### General ordering data

Version	Supply voltage : 230 V
Order No.	<a href="#">2540850000</a>
Type	ENERGY METER 610-230
GTIN (EAN)	4050118552973
Qty.	1 pc(s).

Creation date June 14, 2023 6:14:51 AM CEST

Catalogue status 09.06.2023 / We reserve the right to make technical changes.

## ENERGY METER 610-230

Weidmüller Interface GmbH &amp; Co. KG

Klingenbergstraße 26

D-32758 Detmold

Germany

www.weidmueller.com

## Technical data

## Dimensions and weights

Depth	65 mm	Depth (inches)	2.559 inch
Height	96 mm	Height (inches)	3.78 inch
Width	96 mm	Width (inches)	3.78 inch
Net weight	250 g		

## Temperatures

Storage temperature	-25 °C...70 °C	Humidity at storage temperature	0...90 % RH
Operating temperature	-10 °C...55 °C	Operating temperature, min.	-10 °C
Operating temperature, max.	55 °C	Humidity at operating temperature	0 - 75% RH

## Measuring current input

Current-measuring channels	4	Distortion factor THD-I in %	Yes
Harmonics, per order / current	1.-40.	Measuring accuracy for current	0.2 %
Rated current	1 / 5 A	Residual current measuring	No

## Measuring voltage input

Distortion factor THD-U in %	Yes	Four-wire system	Yes
Harmonics, per order / voltage	1.-40.	Measurement range, voltage L-L, AC	480 V
Measurement range, voltage L-N, AC	277 V	Measuring accuracy for voltage	0.2 %
Quadrants	4	Three-wire system	Yes

## Communication

Interface	RS485: 9,6 – 115,2 kbps, USB	Protocol	Modbus RTU
-----------	---------------------------------	----------	------------

## Inputs/outputs

Number of digital inputs	4	Number of digital outputs	6
Number of pulse outputs	6	Temperature input	No

## Measurement data recording

Memory; minimum and maximum values	Yes	Memory size	256 MB
Number of memory values	10,000 k	Update interval register	200 ms
Min. memory recording interval	60 s	Software	ecoExplorer go®
Integrated logic	Yes		

## ENERGY METER 610-230

Weidmüller Interface GmbH &amp; Co. KG

Klingenbergstraße 26

D-32758 Detmold

Germany

www.weidmueller.com

## Technical data

## Technical data

Protection degree	IP20, IP40	Rated current	1 / 5 A
Standards	DIN EN 61326, IEC 61010-1, IEC 61010-2-030	Measurement range, voltage L-N, AC	277 V
Measurement range, voltage L-L, AC	480 V	Surge voltage category	300 V CAT III
Voltage supply	90 - 277 V AC (50/60 Hz), 90 - 250 V DC	Supply voltage	230 V
Three-wire system	Yes	Four-wire system	Yes
Quadrants	4	Sampling frequency 50/60 Hz	25.6 kHz
Continuous measurements	Yes	Measurement result per second	5
Effective value from the period (50/60 Hz)	10 / 12	Residual current measuring	No
Current-measuring channels	4	Measuring accuracy for voltage	0.2 %
Measuring accuracy for current	0.2 %	Measurement accuracy for active energy (kWh, .../5 A)	Class 0.5S
Operating-hours counter	Yes	Weekly time switch	No
Clock	Yes	Bimetal function	Yes

## Voltage quality measurement

Harmonics, per order / voltage	1.-40.	Harmonics, per order / current	1.-40.
Distortion factor THD-U in %	Yes	Distortion factor THD-I in %	Yes
Unbalanced	No	Positive, negative and zero system	Yes
Brief interruptions	No	Sequence-of-events recorder function	No

## Insulation coordination

Surge voltage category	300 V CAT III
------------------------	---------------

## Classifications

ETIM 6.0	EC002301	ETIM 7.0	EC002301
ETIM 8.0	EC002301	ECLASS 9.0	27-14-23-30
ECLASS 9.1	27-21-03-01	ECLASS 10.0	27-14-23-30
ECLASS 11.0	27-14-23-30	ECLASS 12.0	27-14-23-30

## Approvals

Approvals



Approvals	CE
ROHS	Conform
UL File Number Search	UL Website
Certificate no. (cULus)	E469563

## ENERGY METER 610-230

**Weidmüller Interface GmbH & Co. KG**  
Klingenbergstraße 26  
D-32758 Detmold  
Germany

[www.weidmueller.com](http://www.weidmueller.com)

## Technical data

### Downloads

Approval/Certificate/Document of Conformity	<a href="#">KC-Certification</a> <a href="#">Declaration of Conformity</a>
Engineering Data	<a href="#">CAD data – STEP</a>
Software	<a href="#">Device description – MODBUS address list</a> <a href="#">Device description – GSD DATA</a> <a href="#">Runtime Software – Win64 - ecoExplorer go</a> <a href="#">Driver – USB File</a>
User Documentation	<a href="#">Quick Guide German/English</a> <a href="#">Manual ECOEXPLORER GO English</a> <a href="#">Manual Energy Meter 610 PB German/English</a>
Catalogues	<a href="#">Catalogues in PDF-format</a>

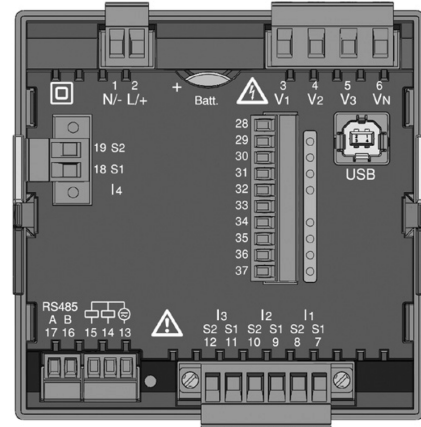
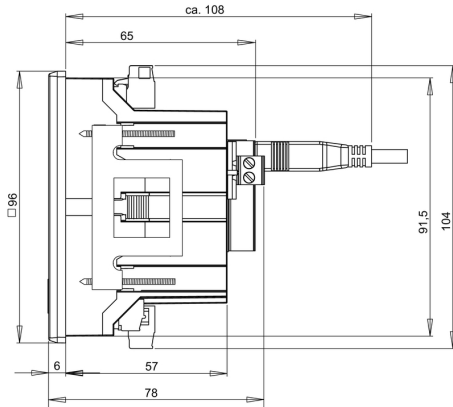
**ENERGY METER 610-230**

**Weidmüller Interface GmbH & Co. KG**  
Klingenbergstraße 26  
D-32758 Detmold  
Germany

[www.weidmueller.com](http://www.weidmueller.com)

**Drawings**

**Dimensioned drawing**



## ENERGY METER 610-230

**Weidmüller Interface GmbH & Co. KG**  
Klingenbergstraße 26  
D-32758 Detmold  
Germany

[www.weidmueller.com](http://www.weidmueller.com)

## Accessories

### Accessories



### General ordering data

Type	ENERGY METER FIXING SET
Order No.	<a href="#">2433030000</a>
GTIN (EAN)	4050118446401
Qty.	1 pc(s).

Type	ENERGY METER BRACKET L1
Order No.	<a href="#">2433060000</a>
GTIN (EAN)	4050118446388
Qty.	1 pc(s).

Type	ENERGY METER SEAL L96-2
Order No.	<a href="#">2495610000</a>
GTIN (EAN)	4050118505931
Qty.	1 pc(s).