

SAK 2.5/35

Weidmüller Interface GmbH & Co. KG

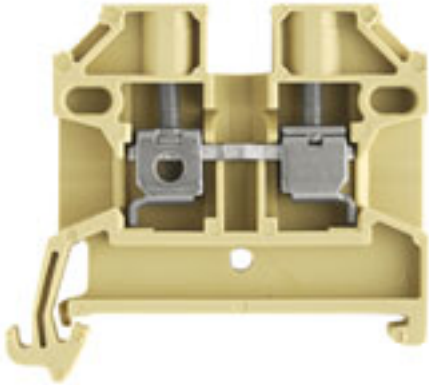
Klingenbergstraße 26

D-32758 Detmold

Germany

www.weidmueller.com

Product image



To feed through power, signal, and data is the classical requirement in electrical engineering and panel building. The insulating material, the connection system and the design of the terminal blocks are the differentiating features. A feed-through terminal block is suitable for joining and/or connecting one or more conductors. They could have one or more connection levels that are on the same potential or insulated against one another.

General ordering data

| | |
|------------|--|
| Version | SAK Series, Feed-through terminal, Rated cross-section: 2.5 mm ² , Screw connection, beige, Direct mounting |
| Order No. | 0380460000 |
| Type | SAK 2.5/35 |
| GTIN (EAN) | 4008190042363 |
| Qty. | 100 Stück |

Erstellungs-Datum 09:59:14 CEST Ngày 04 tháng 5 năm 2023

Katalogstand 28.04.2023 / Technische Änderungen vorbehalten

SAK 2.5/35

Weidmüller Interface GmbH & Co. KG
 Klingenbergstraße 26
 D-32758 Detmold
 Germany

www.weidmueller.com

Technische Daten

Dimensions and weights

| | | | |
|------------|---------|-----------------|------------|
| Depth | 40 mm | Depth (inches) | 1,575 inch |
| Height | 44,5 mm | Height (inches) | 1,752 inch |
| Width | 6,1 mm | Width (inches) | 0,24 inch |
| Net weight | 6,33 g | | |

Temperatures

| | | | |
|----------------------------------|----------------|----------------------------------|---|
| Storage temperature | | Operating temperature range | For operating temperature range see EC Design Test Certificate / IEC Ex-Certificate of Conformity |
| | -25 °C...55 °C | | |
| Continuous operating temp., min. | -50 °C | Continuous operating temp., max. | 100 °C |

Material data

| | | | |
|---------------------------|-------|--------|----------------|
| Material | PA 66 | Colour | beige / yellow |
| UL 94 flammability rating | V-2 | | |

Rating data IECEx/ATEX

| | | | |
|--------------------------------|---|---------------------------------|-------------------|
| Certificate No. (ATEX) | TUEV18ATEX8207U | Certificate No. (IECEX) | IECEXTUR18.0017U |
| Max. voltage (ATEX) | 690 V | Current (ATEX) | 24 A |
| Wire cross section max. (ATEX) | 6 mm ² | Max. voltage (IECEX) | 690 V |
| Current (IECEX) | 24 A | Wire cross section max. (IECEX) | 6 mm ² |
| Operating temperature range | For operating temperature range see EC Design Test Certificate / IEC Ex-Certificate of Conformity | Marking EN 60079-7 | |
| Ex 2014/34/EU label | II 2 G D | | Ex eb II C Gb |

System specifications

| | | | |
|-------------------------------------|---|-------------------------------|-----|
| Version | Screw connection, for screwable cross-connection, One end without connector | End cover plate required | Yes |
| Number of potentials | 1 | Number of levels | 1 |
| Number of clamping points per level | 2 | Number of potentials per tier | 1 |
| Levels cross-connected internally | No | PE connection | No |
| Rail | TS 35 | N-function | No |
| PE function | No | PEN function | No |

Additional technical data

| | | | |
|-----------------------------|---------|---------------------|-----------------|
| Explosion-tested version | Yes | Installation advice | Direct mounting |
| Number of similar terminals | 1 | Open sides | right |
| Type of mounting | Snap-on | | |

CSA rating data

| | | | |
|-------------------------------|-----------|-------------------------------|--------|
| Certificate No. (CSA) | 12400-129 | Current size C (CSA) | 25 A |
| Voltage size C (CSA) | 600 V | Wire cross section max. (CSA) | 10 AWG |
| Wire cross section min. (CSA) | 26 AWG | | |

SAK 2.5/35

Weidmüller Interface GmbH & Co. KG
 Klingenbergstraße 26
 D-32758 Detmold
 Germany

www.weidmueller.com

Technische Daten

Conductors for clamping (additional connection)

Conductor cross-section, flexible plus plastic collar DIN 46228/1, further connection, max. 4 mm²

Conductors for clamping (rated connection)

| | | | |
|---|----------------------|---|---------------------|
| Blade size | 0.6 x 3.5 mm | Clamping range, max. | 6 mm ² |
| Clamping range, min. | 0,13 mm ² | Clamping screw | M 2.5 |
| Connection cross-section, stranded, max. | 4 mm ² | Connection cross-section, stranded, min. | 0,5 mm ² |
| Connection direction | on side | Gauge to IEC 60947-1 | A3 |
| Number of connections | 2 | Stripping length | 10 mm |
| Tightening torque, max. | 0,8 Nm | Tightening torque, min. | 0,4 Nm |
| Torque level with DMS electric screwdriver | 1 | Twin wire-end ferrules, max. | 1,5 mm ² |
| Twin wire-end ferrules, min. | 0,5 mm ² | Type of connection | Screw connection |
| Wire connection cross section AWG, min. | AWG 26 | Wire connection cross section, finely stranded, max. | 4 mm ² |
| Wire connection cross section, finely stranded, min. | 0,5 mm ² | Wire connection cross-section, finely stranded with wire-end ferrules DIN 46228/1, max. | 4 mm ² |
| Wire connection cross-section, finely stranded with wire-end ferrules DIN 46228/1, min. | 0,5 mm ² | Wire connection cross-section, finely stranded with wire-end ferrules DIN 46228/4, max. | 4 mm ² |
| Wire connection cross-section, finely stranded with wire-end ferrules DIN 46228/4, min. | 0,5 mm ² | Wire connection cross-section, solid core, max. | 6 mm ² |
| Wire connection cross-section, solid core, min. | 0,5 mm ² | | |

General

| | | | |
|---------------------|-----------------|---|--------|
| Installation advice | Direct mounting | Rail | TS 35 |
| Standards | IEC 60947-7-1 | Wire connection cross section AWG, min. | AWG 26 |

Rating data

| | | | |
|---------------------------------|---------------------|--|---------|
| Rated cross-section | 2,5 mm ² | Rated voltage | 800 V |
| Rated current | 24 A | Current at maximum wires | 41 A |
| Standards | IEC 60947-7-1 | Volume resistance according to IEC 60947-7-x | 1,33 mΩ |
| Rated impulse withstand voltage | 8 kV | Power loss in accordance with IEC 60947-7-x | 0,77 W |
| Pollution severity | 3 | | |

UL rating data

| | | | |
|---|--------|---|--------|
| Certificate No. (UR) | E60693 | Conductor size Factory wiring max. (UR) | 12 AWG |
| Conductor size Factory wiring min. (UR) | 22 AWG | Conductor size Field wiring max. (UR) | 12 AWG |
| Conductor size Field wiring min. (UR) | 22 AWG | Current size C (UR) | 20 A |
| Voltage size C (UR) | 600 V | | |

SAK 2.5/35

Weidmüller Interface GmbH & Co. KG
 Klingenbergstraße 26
 D-32758 Detmold
 Germany

www.weidmueller.com

Technische Daten

Classifications

| | | | |
|-------------|-------------|-------------|-------------|
| ETIM 6.0 | EC000897 | ETIM 7.0 | EC000897 |
| ETIM 8.0 | EC000897 | ECLASS 9.0 | 27-14-11-20 |
| ECLASS 9.1 | 27-14-11-20 | ECLASS 10.0 | 27-14-11-20 |
| ECLASS 11.0 | 27-14-11-20 | ECLASS 12.0 | 27-14-11-20 |

Approvals

Approvals



| | |
|-----------------------|------------|
| ROHS | Conform |
| UL File Number Search | UL Website |
| Certificate No. (UR) | E60693 |

Downloads

| | |
|---|--|
| Approval/Certificate/Document of Conformity | Attestation of Conformity CFAT SAK 2.5/35 CB Certificate CB Test Certificate EAC certificate DNVGL certificate Lloyds Register Certificate MARITREG Certificate EAC EX Certificate IECEX Certificate ATEX Certificate Declaration of Conformity CE Declaration of Conformity all terminals UKCA declaration of conformity |
| Engineering Data | CAD data – 22364_SAK_2.5-35_DXF.dxf CAD data – STEP |
| Engineering Data | WSCAD |
| Product Change Notification | 20210308 Technical Change SAK PA 35 |
| User Documentation | StorageConditionsTerminalBlocks NTI SAK 2.5/35 |
| Catalogues | Catalogues in PDF-format |