

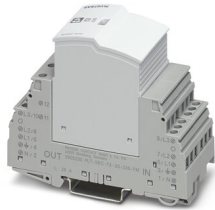
PLT-SEC-T3-3S-230-FM - Type 3 surge protection device



2905230

<https://www.phoenixcontact.com/pc/products/2905230>

Please be informed that the data shown in this PDF document is generated from our Online Catalog. Please find the complete data in the user documentation. Our General Terms of Use for Downloads are valid.



Plug-in device protection, according to type 3/class III, for 3-phase power supply networks with separate N and PE (5-conductor system: L1, L2, L3, N, PE), with integrated surge-proof fuse and remote indication contact.

Your advantages

- Surge protection family for universal use with optimum energy coordination from the lightning current arrester to the device protection
- Easy to maintain due to consistently pluggable protection modules
- Excellent level of information provided by mechanical/visual status indicator and remote indication contact
- Optimal additional protection of the industrial power supply for a longer service life and increased availability of the system

Commercial Data

Item number	2905230
Packing unit	1 pc
Minimum order quantity	1 pc
Product Key	CL14A1
Catalog Page	Page 82 (C-4-2019)
GTIN	4046356939706
Weight per Piece (including packing)	156.3 g
Weight per Piece (excluding packing)	156.3 g
Customs tariff number	85363090
Country of origin	DE

PLT-SEC-T3-3S-230-FM - Type 3 surge protection device



2905230

<https://www.phoenixcontact.com/pc/products/2905230>

Technical Data

Product properties

IEC power supply system	TN-S
	TT
Type	DIN rail module, two-section, divisible
Product type	Device protection
Product family	SEC Family
Number of positions	4
Surge protection fault message	Optical, remote indicator contact

Insulation characteristics

Overvoltage category	III
Pollution degree	2
IEC test classification	III
	T3
EN type	T3
Number of ports	One

Electrical properties

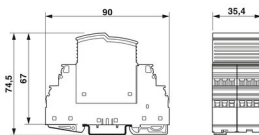
Indicator/remote signaling

Connection name	Remote fault indicator contact
Switching function	N/C contact
Operating voltage	250 V AC
	125 V DC (200 mA DC)
Operating current	3 A AC
	1 A DC (30 V DC)

Connection data

Connection method	Screw connection
Screw thread	M3
Tightening torque	0.8 Nm
Conductor cross section flexible	0.2 mm ² ... 2.5 mm ²
Conductor cross section solid	0.2 mm ² ... 4 mm ²
Conductor cross section AWG	24 ... 12

Dimensions

Dimensional drawing	
Width	35.4 mm

PLT-SEC-T3-3S-230-FM - Type 3 surge protection device



2905230

<https://www.phoenixcontact.com/pc/products/2905230>

Height	90 mm
Depth	74.5 mm (incl. DIN rail 7.5 mm)
Horizontal pitch	2 Div.

Material specifications

Color	light grey RAL 7035
	traffic grey A RAL 7042
Flammability rating according to UL 94	V-0
CTI value of material	600
Insulating material	PA 6.6-FR 20% GF
	PA 6.6-FR
Material group	I
Housing material	PA 6.6-FR 20 % GF
	PA 6.6-FR

Protective circuit

Mode of protection	L-N
	L-PE
	N-PE
Direction of action	3L-N & N-PE
Nominal voltage U_N	230/400 V AC (TN-S)
	230/400 V AC (TT - only in use with RCD)
Nominal frequency f_N	50 Hz (60 Hz)
Maximum continuous voltage U_C	264 V AC
Rated load current I_L	26 A (30 °C)
Residual current I_{PE}	$\leq 5 \mu A$
Standby power consumption P_C	$\leq 2 VA$ (at U_{REF})
	$\leq 2.2 VA$ (at U_C)
Reference test voltage U_{REF}	255 V AC
Nominal discharge current I_n (8/20) μs	3 kA
Combination wave U_{OC}	6 kV
Voltage protection level U_p (L-N)	$\leq 1.4 kV$
Voltage protection level U_p (L-PE)	$\leq 1.5 kV$
Voltage protection level U_p (N-PE)	$\leq 1.5 kV$
TOV behavior at U_T (L-N)	440 V AC (5 s / withstand mode)
	440 V AC (120 min / withstand mode)
	1455 V AC (200 ms / safe failure mode)
TOV behavior at U_T (L-PE)	440 V AC (5 s / withstand mode)
	440 V AC (120 min / withstand mode)
	1455 V AC (200 ms / safe failure mode)
TOV behavior at U_T (N-PE)	1200 V AC (200 ms / safe failure mode)
Response time t_A (L-N)	$\leq 25 ns$
Response time t_A (L-PE)	$\leq 100 ns$
Response time t_A (N-PE)	$\leq 100 ns$
Short-circuit current rating I_{SCCR}	1.5 kA AC

PLT-SEC-T3-3S-230-FM - Type 3 surge protection device



2905230

<https://www.phoenixcontact.com/pc/products/2905230>

Max. backup fuse with branch wiring	not required
-------------------------------------	--------------

Environmental and real-life conditions

Ambient conditions

Degree of protection	IP20
Ambient temperature (operation)	-40 °C ... 70 °C
Ambient temperature (storage/transport)	-40 °C ... 70 °C
Altitude	≤ 2000 m (amsl (above mean sea level))
Permissible humidity (operation)	5 % ... 95 %
Shock (operation)	30g (Half-sine / 11 ms / 3x ±X, ±Y, ±Z)
Vibration (operation)	5g (10 ... 150 Hz/20 cycles/axis/X, Y, Z)

Standards and regulations

Standards/specifications	IEC 61643-11
--------------------------	--------------

EN 61643-11

Standards/specifications	EN 61643-11
--------------------------	-------------

Mounting

Mounting type	DIN rail: 35 mm
---------------	-----------------

PLT-SEC-T3-3S-230-FM - Type 3 surge protection device

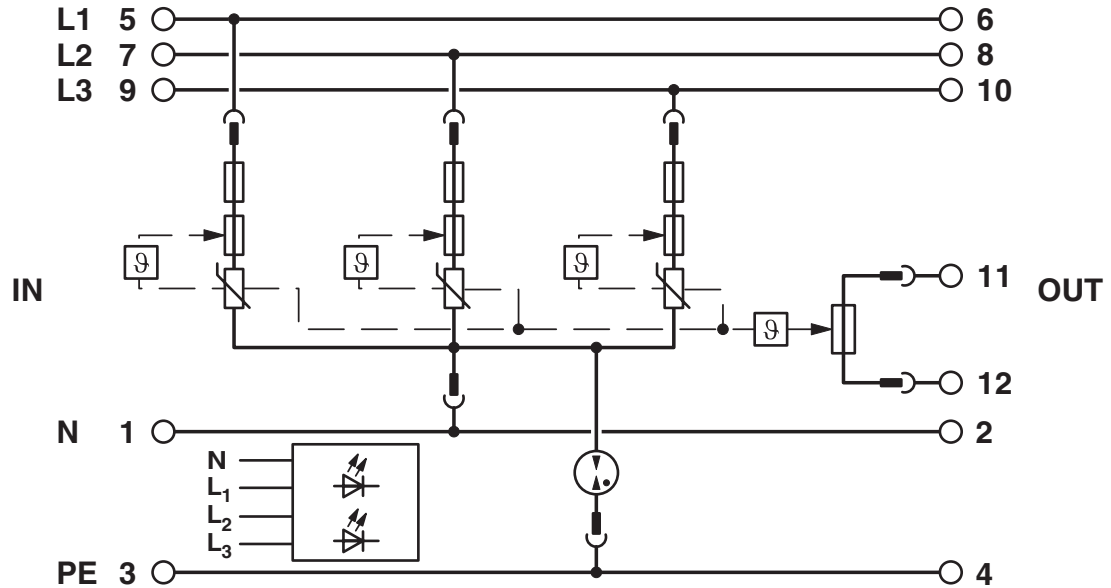


2905230

<https://www.phoenixcontact.com/pc/products/2905230>

Drawings

Circuit diagram



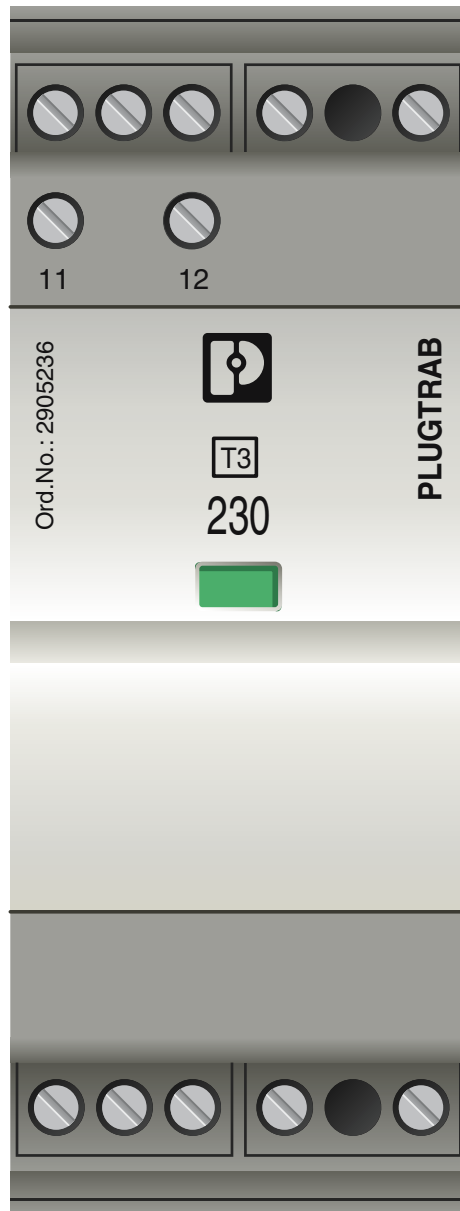
PLT-SEC-T3-3S-230-FM - Type 3 surge protection device



2905230

<https://www.phoenixcontact.com/pc/products/2905230>

Product drawing



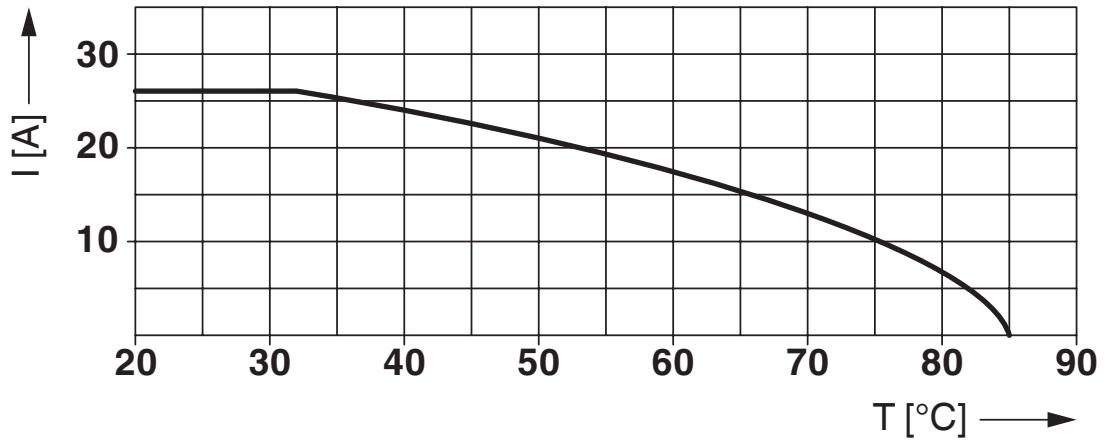
PLT-SEC-T3-3S-230-FM - Type 3 surge protection device



2905230

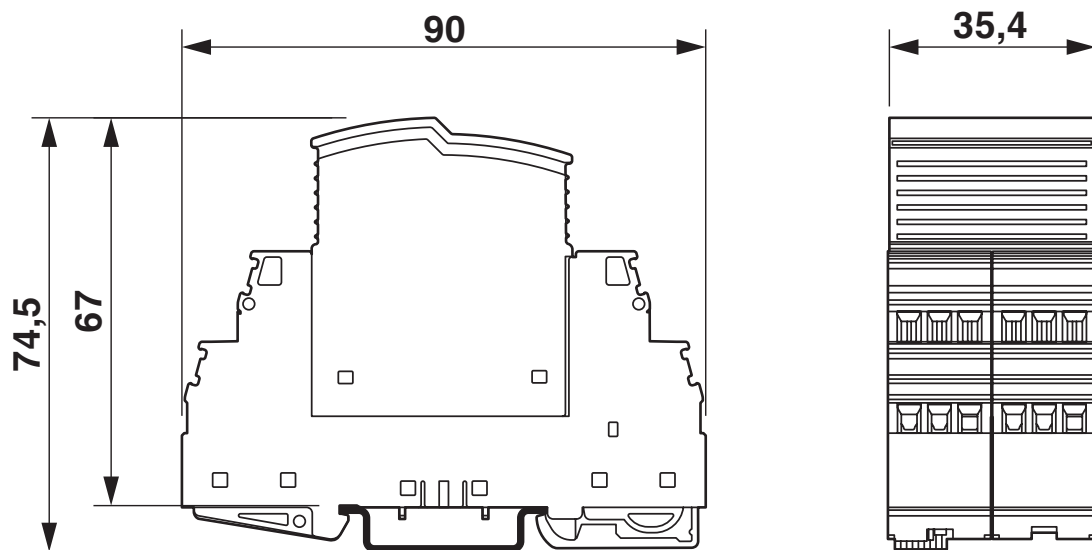
<https://www.phoenixcontact.com/pc/products/2905230>

Diagram



Nominal current depending on ambient temperature

Dimensional drawing



PLT-SEC-T3-3S-230-FM - Type 3 surge protection device



2905230

<https://www.phoenixcontact.com/pc/products/2905230>

Approvals



EAC

Approval ID: RU C-DE.*09.B.00169

PLT-SEC-T3-3S-230-FM - Type 3 surge protection device



2905230

<https://www.phoenixcontact.com/pc/products/2905230>

Classifications

ECLASS

ECLASS-9.0	27130806
ECLASS-10.0.1	27130806
ECLASS-11.0	27130806

ETIM

ETIM 8.0	EC000942
----------	----------

UNSPSC

UNSPSC 21.0	39121600
-------------	----------

PLT-SEC-T3-3S-230-FM - Type 3 surge protection device



2905230

<https://www.phoenixcontact.com/pc/products/2905230>

Environmental Product Compliance

REACH SVHC	Lead 7439-92-1
	Dechlorane Plus
China RoHS	Environmentally Friendly Use Period = 50 years
	For information on hazardous substances, refer to the manufacturer's declaration available under "Downloads"

PLT-SEC-T3-3S-230-FM - Type 3 surge protection device



2905230

<https://www.phoenixcontact.com/pc/products/2905230>

Accessories

CLIPFIX 35 - End clamp

3022218

<https://www.phoenixcontact.com/pc/products/3022218>



Quick mounting end clamp for NS 35/7,5 DIN rail or NS 35/15 DIN rail, with marking option, width: 9.5 mm, color: gray

X-PEN 0,35 - Marker pen

0811228

<https://www.phoenixcontact.com/pc/products/0811228>



Marker pen without ink cartridge, for manual labeling of markers, labeling extremely wipe-proof, line thickness 0.35 mm

PLT-SEC-T3-3S-230-FM - Type 3 surge protection device



2905230

<https://www.phoenixcontact.com/pc/products/2905230>

EML (20XE)R - Label

0803452

<https://www.phoenixcontact.com/pc/products/0803452>



Label, Roll, white, unlabeled, can be labeled with: THERMOMARK E.300 (D)/600 (D), THERMOMARK ROLL 2.0, THERMOMARK ROLL, THERMOMARK ROLL X1, THERMOMARK ROLLMASTER 300/600, THERMOMARK X1.2, mounting type: adhesive, lettering field size: continuous x 20 mm

EML (20XE)R YE - Label

0803453

<https://www.phoenixcontact.com/pc/products/0803453>



Label, Roll, yellow, unlabeled, can be labeled with: THERMOMARK E.300 (D)/600 (D), THERMOMARK ROLL 2.0, THERMOMARK ROLL, THERMOMARK ROLL X1, THERMOMARK ROLLMASTER 300/600, THERMOMARK X1.2, mounting type: adhesive, lettering field size: continuous x 20 mm

PLT-SEC-T3-3S-230-FM - Type 3 surge protection device



2905230

<https://www.phoenixcontact.com/pc/products/2905230>

PLT-SEC-T3-3S-230-P - Type 3 surge protection plug

2905236

<https://www.phoenixcontact.com/pc/products/2905236>



Replacement plug for type 3 device protection from the PLUGTRAB SEC T3 3S product range. 230 V nominal voltage.

Phoenix Contact 2023 © - all rights reserved

<https://www.phoenixcontact.com>

PHOENIX CONTACT GmbH & Co. KG

Flachsmarktstraße 8

D-32825 Blomberg

+49 (0) 5235-3 00

info@phoenixcontact.com