

DT-TELE-RJ45 - Surge protection device



2882925

<https://www.phoenixcontact.com/pc/products/2882925>

Please be informed that the data shown in this PDF document is generated from our Online Catalog. Please find the complete data in the user documentation. Our General Terms of Use for Downloads are valid.



Attachment plug with surge protection for analog and digital telecommunications interfaces (VDSL up to 50 Mbps). Connection: RJ45 (RJ12/RJ11) and screw terminal block (COMBICON). Alternatively, can be snapped onto a DIN rail.

Your advantages

- Easy network integration via RJ45/COMBICON connection
- No signal interference with adapted protective circuit
- Can be installed in a control cabinet by removing the ground connection adapter

Commercial Data

Item number	2882925
Packing unit	1 pc
Minimum order quantity	1 pc
Product Key	CL3221
Catalog Page	Page 162 (C-4-2017)
GTIN	4046356155137
Weight per Piece (including packing)	330.5 g
Weight per Piece (excluding packing)	314.324 g
Customs tariff number	85369010
Country of origin	DE

DT-TELE-RJ45 - Surge protection device

2882925

<https://www.phoenixcontact.com/pc/products/2882925>

Technical Data

Product properties

IEC test classification	B2
	C1
	C2
	C3
	D1
Type	Attachment plug for DIN rail mounting
Product type	Surge protection for information technology
Product family	DATATRAB
Number of positions	4
Wire pairs per module	2

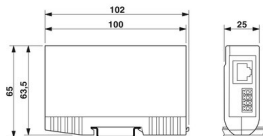
Insulation characteristics

Overvoltage category	II
Pollution degree	2

Connection data

Connection method	RJ45 / COMBICON
Screw thread	M2
Tightening torque	0.22 Nm
Conductor cross section flexible	0.14 mm ² ... 1.5 mm ²
Conductor cross section solid	0.14 mm ² ... 1.5 mm ²
Conductor cross section AWG	28 ... 16

Dimensions

Dimensional drawing	
Width	25 mm
Height	102 mm
Depth	63.5 mm

Material specifications

Color	silver/black
Housing material	Zinc die-cast

Mechanical properties

Mechanical data

DT-TELE-RJ45 - Surge protection device



2882925

<https://www.phoenixcontact.com/pc/products/2882925>

Open side panel	No
-----------------	----

Protective circuit

Direction of action	Line-Line & Line-Ground/Shield
Maximum continuous voltage U_C	185 V DC
	130 V AC
Rated current	≤ 380 mA (25 °C)
Operating effective current I_C at U_C	≤ 6 μ A
Residual current I_{PE}	≤ 4 μ A
Nominal discharge current I_n (8/20) μ s (line-line)	≤ 5 kA
Nominal discharge surge current I_n (8/20) μ s (Core-Earth)	≤ 5 kA
Total discharge current I_{total} (8/20) μ s	10 kA
Nominal pulse current I_{an} (10/1000) μ s (line-line)	100 A
Nominal pulse current I_{an} (10/1000) μ s (line-earth)	100 A
Nominal pulse current I_{an} (10/700) μ s (line-line)	150 A
Nominal pulse current I_{an} (10/700) μ s (line-earth)	150 A
Output voltage limitation at 1 kV/ μ s (line-line) static	≤ 250 V
Output voltage limitation at 1 kV/ μ s (line-earth) static	≤ 250 V
Residual voltage at I_n (conductor-conductor)	≤ 120 V
Residual voltage at I_n (conductor-ground)	≤ 120 V
Voltage protection level U_p (line-line)	≤ 250 V (B2 - 4 kV / 100 A)
	≤ 250 V (C1 - 1 kV / 500 A)
	≤ 250 V (C2 - 10 kV / 5 kA)
Voltage protection level U_p (line-earth)	≤ 250 V (B2 - 4 kV / 100 A)
	≤ 250 V (C1 - 1 kV / 500 A)
	≤ 250 V (C2 - 10 kV / 5 kA)
Response time t_A (line-line)	≤ 100 ns
Response time t_A (line-earth)	≤ 100 ns
Input attenuation aE, sym.	typ. 0.5 dB (≤ 5 MHz / 100 Ω)
	typ. 0.3 dB (≤ 8 MHz / 150 Ω)
	typ. 0.3 dB (≤ 2.5 MHz / 600 Ω)
Cut-off frequency f_g (3 dB), sym. in 100 Ω system	typ. 50 MHz
Capacity (Core-Core)	typ. 20 pF (f= 1 MHz / VR= 0 V)
Capacity (Core-Earth)	typ. 20 pF (f= 1 MHz / VR= 0 V)
Resistance per path	3.3 Ω 10 %
Surge protection fault message	none
Impulse durability (line-line)	B2 - 4 kV / 100 A
	C1 - 1 kV / 500 A
	C2 - 10 kV / 5 kA
Impulse durability (line-earth)	B2 - 4 kV / 100 A
	C1 - 1 kV / 500 A
	C2 - 10 kV / 5 kA
	D1 - 1 kA

DT-TELE-RJ45 - Surge protection device



2882925

<https://www.phoenixcontact.com/pc/products/2882925>

Environmental and real-life conditions

Ambient conditions

Degree of protection	IP20
Ambient temperature (operation)	-40 °C ... 85 °C
Ambient temperature (storage/transport)	-40 °C ... 85 °C

Standards and regulations

Standards/specifications	IEC 61643-21
Standards/specifications	EN 61643-21

Mounting

Mounting type	Connection-specific attachment plug and DIN rail, 35 mm
---------------	---

DT-TELE-RJ45 - Surge protection device

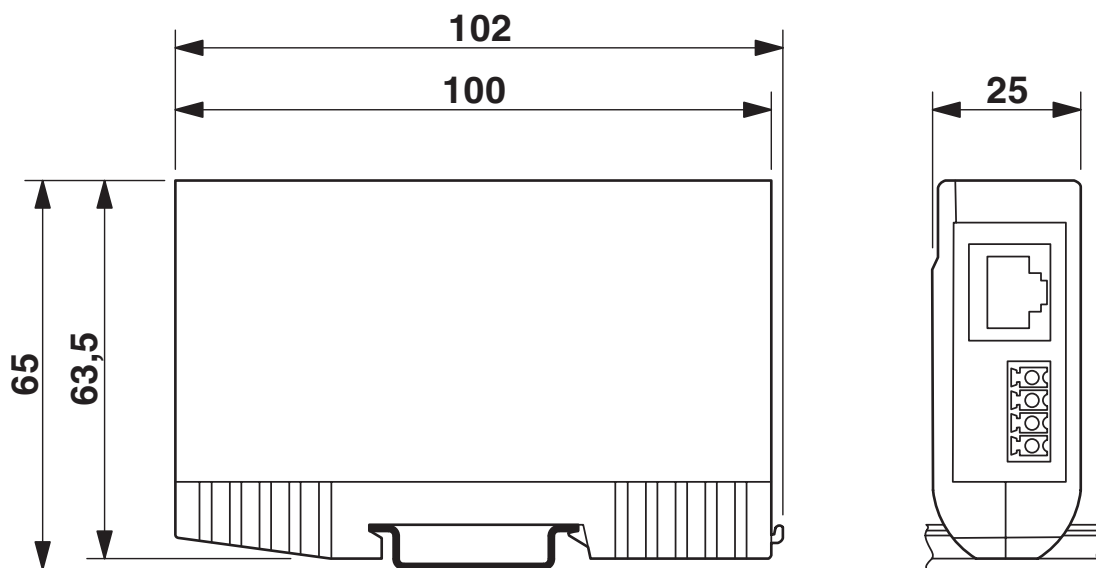


2882925

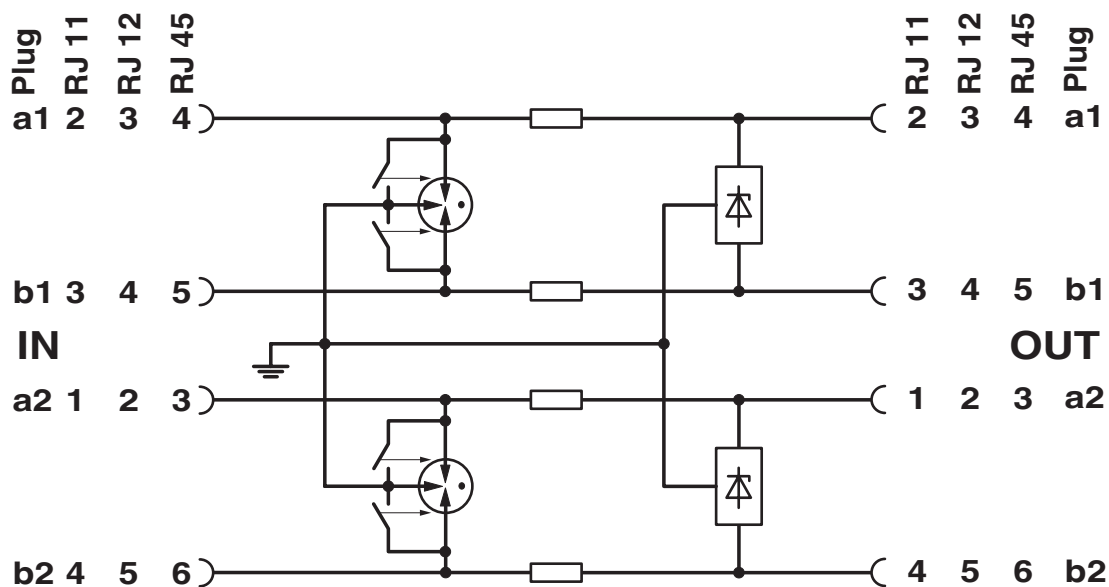
<https://www.phoenixcontact.com/pc/products/2882925>

Drawings

Dimensional drawing



Circuit diagram



DT-TELE-RJ45 - Surge protection device



2882925

<https://www.phoenixcontact.com/pc/products/2882925>

Approvals



EAC

Approval ID: EAC-Zulassung



EAC

Approval ID: RU C-DE.*09.B.00169

DT-TELE-RJ45 - Surge protection device



2882925

<https://www.phoenixcontact.com/pc/products/2882925>

Classifications

ECLASS

ECLASS-9.0	27130807
ECLASS-10.0.1	27130807
ECLASS-11.0	27130807

ETIM

ETIM 8.0	EC000943
----------	----------

UNSPSC

UNSPSC 21.0	39121600
-------------	----------

DT-TELE-RJ45 - Surge protection device



2882925

<https://www.phoenixcontact.com/pc/products/2882925>

Environmental Product Compliance

REACH SVHC	Lead 7439-92-1
China RoHS	Environmentally Friendly Use Period = 50 years
	For information on hazardous substances, refer to the manufacturer's declaration available under "Downloads"

DT-TELE-RJ45 - Surge protection device

2882925

<https://www.phoenixcontact.com/pc/products/2882925>



Accessories

FL CAT6 PATCH 1,5 - Patch cable

2891482

<https://www.phoenixcontact.com/pc/products/2891482>

Patch cable, CAT6, pre-assembled, 1.5 m



Phoenix Contact 2023 © - all rights reserved
<https://www.phoenixcontact.com>

PHOENIX CONTACT GmbH & Co. KG
Flachsmarktstraße 8
D-32825 Blomberg
+49 (0) 5235-3 00
info@phoenixcontact.com