

# VAL-CP-MCB-3C-350/40/FM - Type 2 surge arrester



2882776

<https://www.phoenixcontact.com/pc/products/2882776>

Please be informed that the data shown in this PDF document is generated from our Online Catalog. Please find the complete data in the user documentation. Our General Terms of Use for Downloads are valid.



Combination of type 2 surge protection and arrester backup fuse, with monitoring of arrester and arrester backup fuse, in combination with a status indicator and remote indication contact.  
Design: 4-conductor system (L1, L2, L3, PEN), mounting on NS 35 DIN rail

## Your advantages

- Combinations of type 2 arresters with integrated arrester backup fuse
- Signaling to monitoring systems via remote indication contact in the event of an error
- Overload of the surge protection results in all-pos. disconnection from the mains
- Type 2 consistent plug-in surge arresters
- Optical, mechanical status indication for the individual arresters

## Commercial Data

Item number	2882776
Packing unit	1 pc
Minimum order quantity	1 pc
Product Key	CL1314
Catalog Page	Page 74 (C-4-2019)
GTIN	4046356175838
Weight per Piece (including packing)	768.9 g
Weight per Piece (excluding packing)	768.9 g
Customs tariff number	85363030
Country of origin	HU

# VAL-CP-MCB-3C-350/40/FM - Type 2 surge arrester



2882776

<https://www.phoenixcontact.com/pc/products/2882776>

## Technical Data

### Product properties

IEC test classification	II
	T2
EN type	T2
IEC power supply system	TN-C
Type	DIN rail module, two-section, divisible
Product type	Surge arrester
Product family	SEC Family
Number of positions	3
Surge protection fault message	Optical, remote indicator contact

### Insulation characteristics

Overvoltage category	III
Pollution degree	2

### Electrical properties

Nominal frequency $f_N$	50 Hz (60 Hz)
-------------------------	---------------

### Indicator/remote signaling

Connection name	Remote fault indicator contact
Switching function	Changeover contact
Operating voltage	250 V AC
	250 V DC
Operating current	1 mA AC ... 2 A AC
	1 mA DC ... 50 mA DC

### Connection data

#### Connection protective circuit

Connection method	Screw connection
Tightening torque	3.5 Nm
Stripping length	14 mm
Conductor cross section flexible	4 mm <sup>2</sup> ... 25 mm <sup>2</sup>
Conductor cross section solid	4 mm <sup>2</sup> ... 35 mm <sup>2</sup>
Conductor cross section AWG	18 ... 2

#### Protective ground connection

Connection method	Screw connection
Screw thread	M5
Tightening torque	4.5 Nm
Stripping length	16 mm
Conductor cross section flexible	2.5 mm <sup>2</sup> ... 16 mm <sup>2</sup>
Conductor cross section solid	2.5 mm <sup>2</sup> ... 25 mm <sup>2</sup>

# VAL-CP-MCB-3C-350/40/FM - Type 2 surge arrester

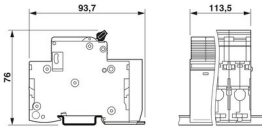


2882776

<https://www.phoenixcontact.com/pc/products/2882776>

Conductor cross section AWG	12 ... 4
Remote fault indicator contact	
Connection method	Pluggable screw connection
Screw thread	M2
Tightening torque	0.25 Nm
Conductor cross section flexible	0.14 mm <sup>2</sup> ... 1.5 mm <sup>2</sup>
Conductor cross section solid	0.14 mm <sup>2</sup> ... 1.5 mm <sup>2</sup>
Conductor cross section AWG	28 ... 16

## Dimensions

Dimensional drawing	
Width	114 mm
Height	101 mm
Depth	76 mm
Horizontal pitch	6.5 Div.

## Material specifications

Color	light grey RAL 7035
Flammability rating according to UL 94	V-0
CTI value of material	600
Insulating material	PBT-FR
Material group	I
Housing material	PBT-FR

## Protective circuit

Mode of protection	L-PEN
Direction of action	3L-N/PE
Nominal voltage $U_N$	240/415 V AC (TN-C)
Nominal frequency $f_N$	50 Hz (60 Hz)
Maximum continuous voltage $U_C$	350 V AC
Nominal discharge current $I_n$ (8/20) $\mu$ s	15 kA
Maximum discharge current $I_{max}$ (8/20) $\mu$ s	30 kA
Short-circuit current rating $I_{SCCR}$	25 kA
Voltage protection level $U_p$	$\leq 2.5$ kV
Residual voltage $U_{res}$	$\leq 2.3$ kV (at $I_n$ )
	$\leq 1.6$ kV (at 10 kA)
	$\leq 1.3$ kV (at 5 kA)
	$\leq 1$ kV (at 3 kA)
TOV behavior at $U_T$	415 V AC (5 s / withstand mode)
	457 V AC (120 min / safe failure mode)

# VAL-CP-MCB-3C-350/40/FM - Type 2 surge arrester



2882776

<https://www.phoenixcontact.com/pc/products/2882776>

Response time $t_A$	$\leq 25$ ns
Max. backup fuse with V-type through wiring	40 A (gG)

## Environmental and real-life conditions

### Ambient conditions

Degree of protection	IP20
Ambient temperature (operation)	-25 °C ... 60 °C
Ambient temperature (storage/transport)	-40 °C ... 80 °C
Altitude	$\leq 2000$ m (amsl (above mean sea level))
Permissible humidity (operation)	5 % ... 95 %

## Standards and regulations

Standards/specifications	IEC 61643-11
Standards/specifications	EN 61643-11
Standards/specifications	IEC 60364-4-443
Standards/specifications	IEC 60364-5-534

## Mounting

Mounting type	DIN rail: 35 mm
---------------	-----------------

# VAL-CP-MCB-3C-350/40/FM - Type 2 surge arrester

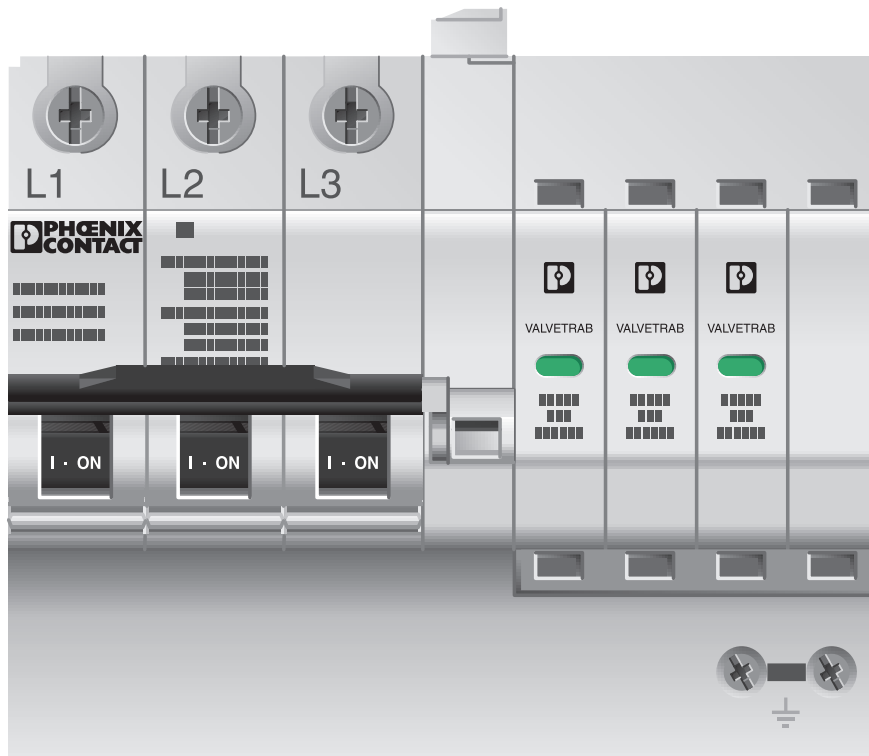


2882776

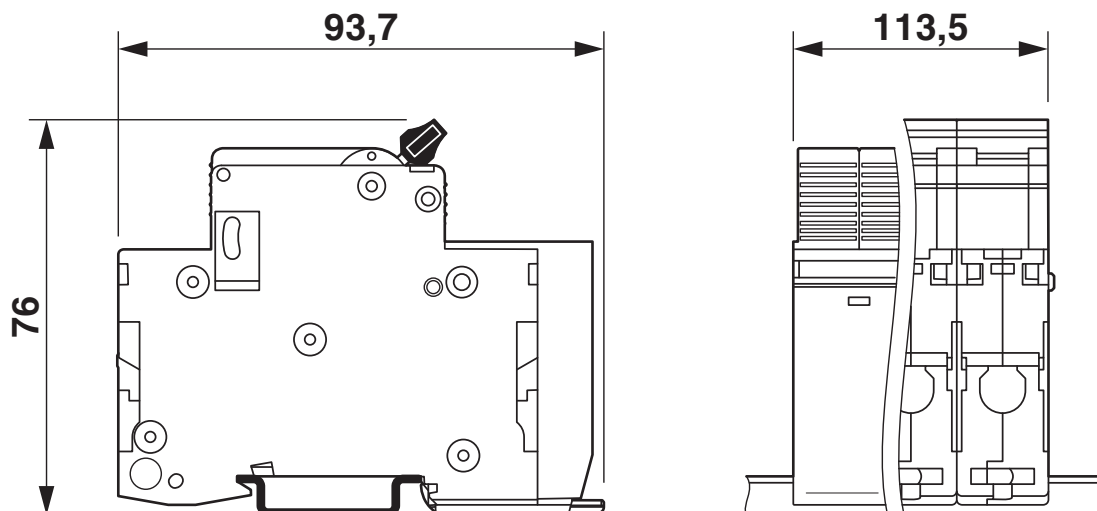
<https://www.phoenixcontact.com/pc/products/2882776>

## Drawings

Product drawing



Dimensional drawing



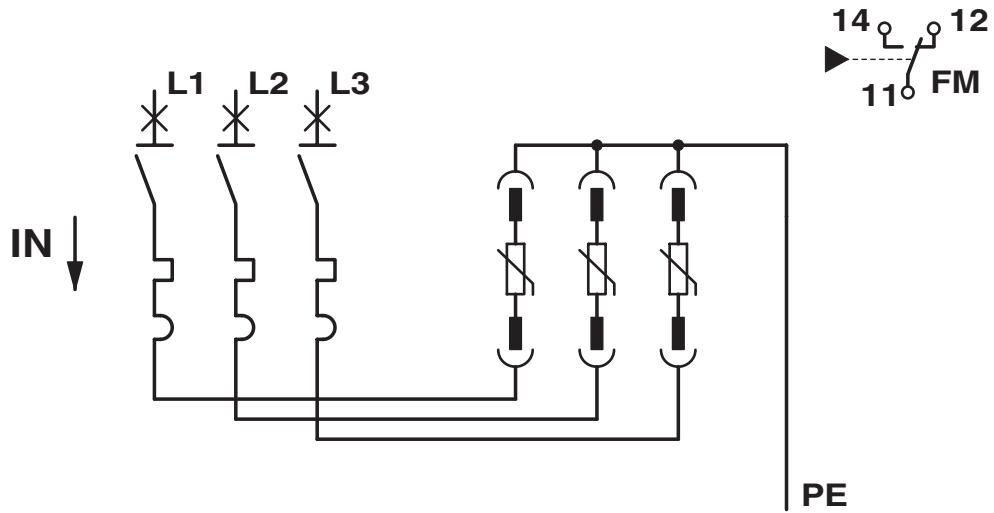
# VAL-CP-MCB-3C-350/40/FM - Type 2 surge arrester



2882776

<https://www.phoenixcontact.com/pc/products/2882776>

Circuit diagram



# VAL-CP-MCB-3C-350/40/FM - Type 2 surge arrester



2882776

<https://www.phoenixcontact.com/pc/products/2882776>

## Approvals



**IECEE CB Scheme**

Approval ID: NL-71431



**EAC**

Approval ID: RU C-DE.\*09.B.00169

**CCA**

Approval ID: NTR-NL 7873

	Nominal Voltage $U_N$	Nominal Current $I_N$	Cross Section AWG	Cross Section $\text{mm}^2$
			-	-



**KEMA-KEUR**

Approval ID: 71-117871

# VAL-CP-MCB-3C-350/40/FM - Type 2 surge arrester



2882776

<https://www.phoenixcontact.com/pc/products/2882776>

## Classifications

### ECLASS

ECLASS-9.0	27130805
ECLASS-10.0.1	27130805
ECLASS-11.0	27130805

### ETIM

ETIM 8.0	EC000941
----------	----------

### UNSPSC

UNSPSC 21.0	39121600
-------------	----------



# VAL-CP-MCB-3C-350/40/FM - Type 2 surge arrester



2882776

<https://www.phoenixcontact.com/pc/products/2882776>

## Environmental Product Compliance

China RoHS	Environmentally friendly use period: unlimited = EFUP-e
	No hazardous substances above threshold values

# VAL-CP-MCB-3C-350/40/FM - Type 2 surge arrester



2882776

<https://www.phoenixcontact.com/pc/products/2882776>

## Accessories

### VAL-CP-350-ST-GY - Type 2 surge protection plug

2882718

<https://www.phoenixcontact.com/pc/products/2882718>



Replacement plug for VAL-CP surge protective device with high-capacity varistor with a low leakage current.

---

Phoenix Contact 2023 © - all rights reserved  
<https://www.phoenixcontact.com>

PHOENIX CONTACT GmbH & Co. KG  
Flachsmarktstraße 8  
D-32825 Blomberg  
+49 (0) 5235-3 00  
[info@phoenixcontact.com](mailto:info@phoenixcontact.com)