

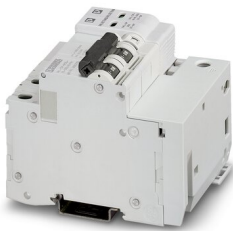
VAL-CP-MCB-1S-350/40/FM - Type 2 surge arrester



2882763

<https://www.phoenixcontact.com/pc/products/2882763>

Please be informed that the data shown in this PDF document is generated from our Online Catalog. Please find the complete data in the user documentation. Our General Terms of Use for Downloads are valid.



Combination of type 2 surge protection and arrester backup fuse, with monitoring of arrester and arrester backup fuse, in combination with a remote indication contact. Design: 3-conductor system (L1, N, PE), mounting on NS 35 DIN rail

Your advantages

- Combinations of type 2 arresters with integrated arrester backup fuse
- Signaling to monitoring systems via remote indication contact in the event of an error
- Overload of the surge protection results in all-pos. disconnection from the mains
- Type 2 consistent plug-in surge arresters
- Optical, mechanical status indication for the individual arresters

Commercial Data

Item number	2882763
Packing unit	1 pc
Minimum order quantity	1 pc
Product Key	CL1314
Catalog Page	Page 74 (C-4-2019)
GTIN	4046356175821
Weight per Piece (including packing)	501.5 g
Weight per Piece (excluding packing)	501.5 g
Customs tariff number	85363030
Country of origin	HU

VAL-CP-MCB-1S-350/40/FM - Type 2 surge arrester



2882763

<https://www.phoenixcontact.com/pc/products/2882763>

Technical Data

Product properties

IEC test classification	II
	T2
EN type	T2
IEC power supply system	TN-S
	TT
Type	DIN rail module, two-section, divisible
Product type	Surge arrester
Product family	SEC Family
Number of positions	2
Surge protection fault message	Optical, remote indicator contact

Insulation characteristics

Overvoltage category	III
Pollution degree	2

Electrical properties

Nominal frequency f_N	50 Hz (60 Hz)
-------------------------	---------------

Indicator/remote signaling

Connection name	Remote fault indicator contact
Switching function	Changeover contact
Operating voltage	250 V AC
	250 V DC
Operating current	1 mA AC ... 2 A AC
	1 mA DC ... 50 mA DC

Connection data

Connection protective circuit

Connection method	Screw connection
Tightening torque	3.5 Nm
Stripping length	14 mm
Conductor cross section flexible	4 mm ² ... 25 mm ²
Conductor cross section solid	4 mm ² ... 35 mm ²
Conductor cross section AWG	18 ... 2

Protective ground connection

Connection method	Screw connection
Screw thread	M5
Tightening torque	4.5 Nm
Stripping length	16 mm
Conductor cross section flexible	2.5 mm ² ... 16 mm ²

VAL-CP-MCB-1S-350/40/FM - Type 2 surge arrester



2882763

<https://www.phoenixcontact.com/pc/products/2882763>

Conductor cross section solid	2.5 mm ² ... 25 mm ²
Conductor cross section AWG	12 ... 4
Remote fault indicator contact	
Connection method	Pluggable screw connection
Screw thread	M2
Tightening torque	0.25 Nm
Conductor cross section flexible	0.14 mm ² ... 1.5 mm ²
Conductor cross section solid	0.14 mm ² ... 1.5 mm ²
Conductor cross section AWG	28 ... 16

Dimensions

Dimensional drawing	
Width	72 mm
Height	101 mm
Depth	76 mm
Horizontal pitch	4 Div.

Material specifications

Color	light grey RAL 7035
Flammability rating according to UL 94	V-0
CTI value of material	600
Insulating material	PBT-FR
Material group	I
Housing material	PBT-FR

Protective circuit

Mode of protection	L-N
	L-PE
	N-PE
Direction of action	1L-N & N-PE
Nominal voltage U_N	240 V AC (TN-S)
	240 V AC (TT)
Nominal frequency f_N	50 Hz (60 Hz)
Maximum continuous operating voltage U_C (L-N)	350 V AC
Maximum continuous operating voltage U_C (L-PE)	350 V AC
Maximum continuous operating voltage U_C (N-PE)	264 V AC
Residual current I_{PE}	≤ 1 μA
Nominal discharge current I_n (8/20) μs (L-N)	15 kA
Nominal discharge current I_n (8/20) μs (L-PE)	15 kA
Nominal discharge current I_n (8/20) μs (N-PE)	20 kA

VAL-CP-MCB-1S-350/40/FM - Type 2 surge arrester



2882763

<https://www.phoenixcontact.com/pc/products/2882763>

Maximum discharge current I_{max} (8/20) μ s	30 kA
Follow current interrupt rating I_{fi} (N-PE)	100 A
Short-circuit current rating I_{SCCR}	25 kA
Voltage protection level U_p (L-N)	≤ 2.5 kV
Voltage protection level U_p (N-PE)	≤ 1.7 kV
Residual voltage U_{res} (L-N)	≤ 2.3 kV (at I_n)
	≤ 1.6 kV (at 10 kA)
	≤ 1.3 kV (at 5 kA)
	≤ 1 kV (at 3 kA)
Residual voltage U_{res} (L-PE)	≤ 2.5 kV (at I_n)
	≤ 2 kV (at 10 kA)
	≤ 1.5 kV (at 5 kA)
	≤ 1.1 kV (at 3 kA)
Residual voltage U_{res} (N-PE)	≤ 1.2 kV (at 10 kA)
	≤ 0.8 kV (at 5 kA)
	≤ 0.5 kV (at 4 kA)
	≤ 0.3 kV (at 3 kA)
TOV behavior at U_T (L-N)	415 V AC (5 s / withstand mode)
	457 V AC (120 min / safe failure mode)
TOV behavior at U_T (N-PE)	1200 V AC (200 ms / withstand mode)
Response time t_A (L-N)	≤ 25 ns
Response time t_A (L-PE)	≤ 100 ns
Response time t_A (N-PE)	≤ 100 ns
Max. backup fuse with V-type through wiring	40 A (gG)

Environmental and real-life conditions

Ambient conditions

Degree of protection	IP20
Ambient temperature (operation)	-25 °C ... 60 °C
Ambient temperature (storage/transport)	-40 °C ... 80 °C
Altitude	≤ 2000 m (amsl (above mean sea level))
Permissible humidity (operation)	5 % ... 95 %

Standards and regulations

Standards/specifications	IEC 61643-11
Standards/specifications	EN 61643-11
Standards/specifications	IEC 60364-4-443
Standards/specifications	IEC 60364-5-534

Mounting

Mounting type	DIN rail: 35 mm
---------------	-----------------

VAL-CP-MCB-1S-350/40/FM - Type 2 surge arrester

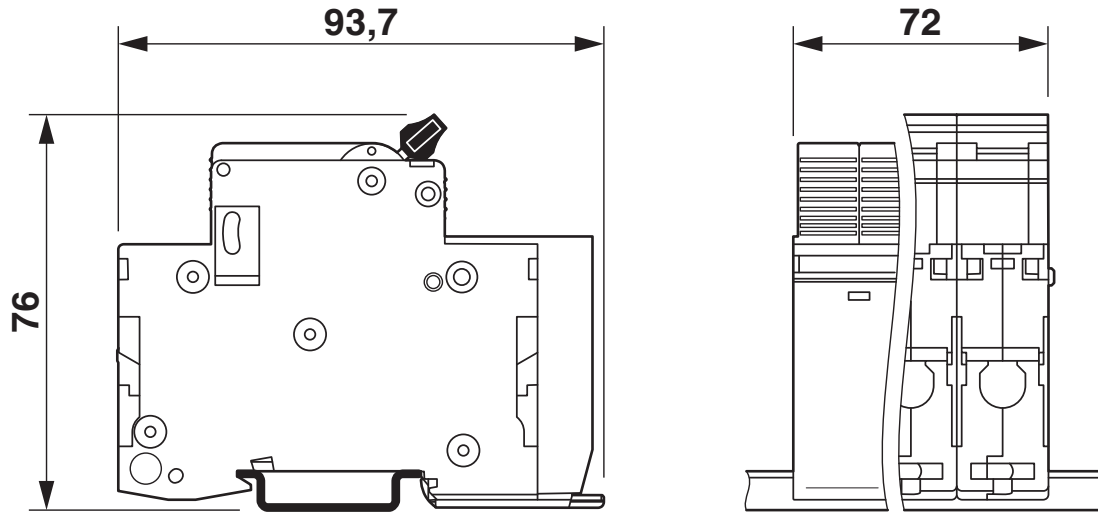


2882763

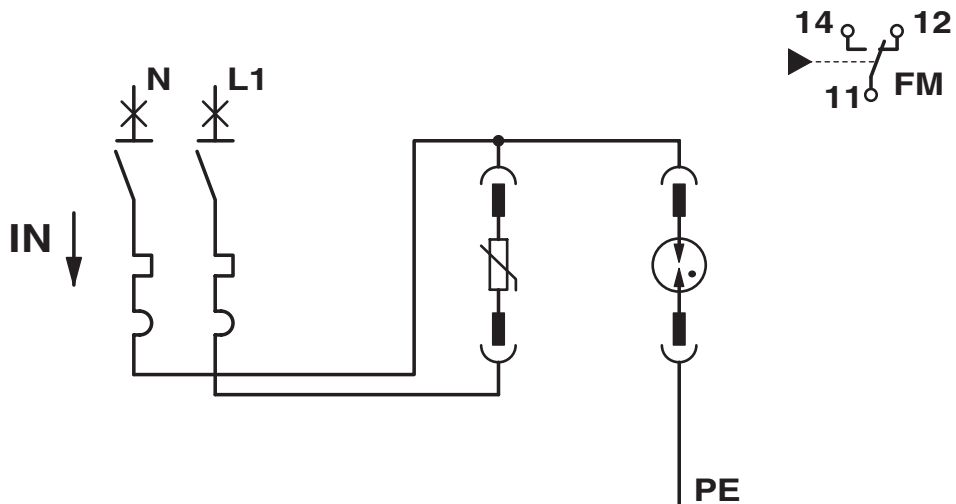
<https://www.phoenixcontact.com/pc/products/2882763>

Drawings

Dimensional drawing



Circuit diagram



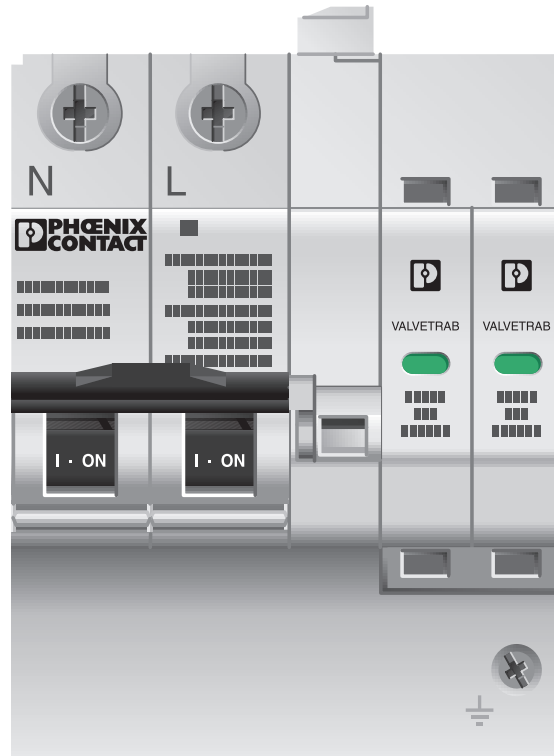
VAL-CP-MCB-1S-350/40/FM - Type 2 surge arrester

2882763

<https://www.phoenixcontact.com/pc/products/2882763>



Product drawing



VAL-CP-MCB-1S-350/40/FM - Type 2 surge arrester



2882763

<https://www.phoenixcontact.com/pc/products/2882763>

Approvals



IECEE CB Scheme
Approval ID: NL-71431



EAC
Approval ID: RU C-DE.*09.B.00169

CCA

Approval ID: NTR-NL 7873

	Nominal Voltage U_N	Nominal Current I_N	Cross Section AWG	Cross Section mm^2
			-	-



KEMA-KEUR
Approval ID: 71-117871

VAL-CP-MCB-1S-350/40/FM - Type 2 surge arrester



2882763

<https://www.phoenixcontact.com/pc/products/2882763>

Classifications

ECLASS

ECLASS-9.0	27130805
ECLASS-10.0.1	27130805
ECLASS-11.0	27130805

ETIM

ETIM 8.0	EC000941
----------	----------

UNSPSC

UNSPSC 21.0	39121600
-------------	----------

VAL-CP-MCB-1S-350/40/FM - Type 2 surge arrester



2882763

<https://www.phoenixcontact.com/pc/products/2882763>

Environmental Product Compliance

China RoHS	Environmentally friendly use period: unlimited = EFUP-e
	No hazardous substances above threshold values

VAL-CP-MCB-1S-350/40/FM - Type 2 surge arrester



2882763

<https://www.phoenixcontact.com/pc/products/2882763>

Accessories

VAL-CP-350-ST-GY - Type 2 surge protection plug

2882718

<https://www.phoenixcontact.com/pc/products/2882718>



Replacement plug for VAL-CP surge protective device with high-capacity varistor with a low leakage current.

VAL-CP-N/PE-350-ST-GY - Type 2 surge protection plug

2882734

<https://www.phoenixcontact.com/pc/products/2882734>



Replacement plug for VAL-CP surge arrester with N-PE spark gap.

Phoenix Contact 2023 © - all rights reserved

<https://www.phoenixcontact.com>

PHOENIX CONTACT GmbH & Co. KG

Flachsmarktstraße 8

D-32825 Blomberg

+49 (0) 5235-3 00

info@phoenixcontact.com