

Power supply unit - QUINT-PS/1AC/12DC/15



2866718

<https://www.phoenixcontact.com/pc/products/2866718>

Please be informed that the data shown in this PDF document is generated from our Online Catalog. Please find the complete data in the user documentation. Our General Terms of Use for Downloads are valid.



Primary-switched power supply unit QUINT POWER, Pluggable screw connection, DIN rail mounting, SFB Technology (Selective Fuse Breaking), input: 1-phase, output: 12 V DC / 15 A

Product Description

QUINT POWER power supplies with maximum functionality

QUINT POWER circuit breakers magnetically and therefore quickly trip at six times the nominal current, for selective and therefore cost-effective system protection. The high level of system availability is additionally ensured, thanks to preventive function monitoring, as it reports critical operating states before errors occur.

Reliable starting of heavy loads takes place via the static power reserve POWER BOOST. Thanks to the adjustable voltage, all ranges between 5 V DC ... 56 V DC are covered.

Your advantages

- Reliable starting of difficult loads
- Quick tripping of standard circuit breakers
- Preventive function monitoring

Commercial Data

| | |
|--------------------------------------|---------------------|
| Item number | 2866718 |
| Packing unit | 1 pc |
| Minimum order quantity | 1 pc |
| Product Key | CMPQ12 |
| Catalog Page | Page 212 (C-4-2017) |
| GTIN | 4046356307888 |
| Weight per Piece (including packing) | 1,510 g |
| Weight per Piece (excluding packing) | 1,100 g |
| Customs tariff number | 85044083 |
| Country of origin | TH |

Technical Data

Input data

| | |
|--|--|
| Nominal input voltage range | 100 V AC ... 240 V AC |
| Input voltage range | 85 V AC ... 264 V AC 90 V DC ... 350 V DC (UL 508: ≤ 250 V DC) |
| Input voltage range AC | 85 V AC ... 264 V AC |
| Input voltage range DC | 90 V DC ... 350 V DC (UL 508: ≤ 250 V DC) |
| Electric strength, max. | 300 V AC |
| Voltage type of supply voltage | AC/DC |
| Inrush current | < 15 A (typical) |
| Inrush current integral (I^2t) | < 1.5 A ² s |
| AC frequency range | 45 Hz ... 65 Hz |
| Frequency range DC | 0 Hz |
| Mains buffering time | > 65 ms (120 V AC) > 65 ms (230 V AC) |
| Current consumption | 1.9 A (120 V AC) 0.9 A (230 V AC) 1.9 A (110 V DC) 0.9 A (220 V DC) |
| Nominal power consumption | 210 VA |
| Protective circuit | Transient surge protection; Varistor |
| Typical response time | < 0.5 s |
| Input fuse | 6.3 A (slow-blow, internal) |
| Permissible backup fuse | B10 B16 AC: |
| Permissible DC backup fuse | DC: Connect a suitable fuse upstream |
| Recommended breaker for input protection | 10 A ... 16 A (AC: Characteristics B, C, D, K) |
| Discharge current to PE | < 3.5 mA |

Output data

| | |
|--|---|
| Efficiency | > 89 % (for 230 V AC and nominal values) |
| Output characteristic | U/I |
| Nominal output voltage | 12 V DC ±1 % |
| Setting range of the output voltage (U_{Set}) | 5 V DC ... 18 V DC (> 12 V DC, constant capacity restricted) |
| Nominal output current (I_N) | 15 A (-25 °C ... 60 °C) |
| POWER BOOST (I_{Boost}) | 16 A (-25 °C ... 40 °C permanent) |
| Selective Fuse Breaking (I_{SFB}) | 60 A (12 ms) |
| Magnetic circuit breaker tripping | B2 / B4 / B6 / C2 / C4 |
| Derating | 60 °C ... 70 °C (2.5%/K) |
| Feedback voltage resistance | max. 25 V DC |
| Protection against overvoltage at the output (OVP) | < 25 V DC |
| Control deviation | < 1 % (change in load, static 10 % ... 90 %) < 2 % (change in load, dynamic 10 % ... 90 %) |

Power supply unit - QUINT-PS/1AC/12DC/15



2866718

<https://www.phoenixcontact.com/pc/products/2866718>

| | |
|-----------------------------------|--|
| | < 0.1 % (change in input voltage ± 10 %) |
| Residual ripple | < 10 mV _{PP} (with nominal values) |
| Short-circuit-proof | yes |
| Output power | 180 W |
| Maximum no-load power dissipation | 5 W |
| Power loss nominal load max. | 21 W |
| Rise time | < 0.5 ms |
| Connection in parallel | yes, for redundancy and increased capacity |
| Connection in series | yes |

Signal: DC OK active

| | |
|-------------------------|--|
| Output description | $U_{OUT} > 0.9 \times U_N$: High signal |
| Switching voltage range | 5 V DC ... 12 V DC |
| Output voltage | 12 V DC |
| Maximum inrush current | ≤ 20 mA (short-circuit-proof) |
| Continuous load current | ≤ 20 mA |

Signal: DC OK floating

| | |
|---------------------------|--|
| Output description | Relay contact, $U_{OUT} > 0.9 \times U_N$: Contact closed |
| Maximum switching voltage | 30 V AC |
| | 24 V DC |
| Maximum inrush current | 0.5 A |
| | 1 A |
| Continuous load current | 1 A |

Signal: POWER BOOST, active

| | |
|-------------------------|------------------------------------|
| Output description | $I_{OUT} < I_N$: High signal |
| Switching voltage range | 5 V DC ... 12 V DC |
| Output voltage | 12 V DC |
| Maximum inrush current | ≤ 20 mA (short-circuit-proof) |
| Continuous load current | ≤ 20 mA |

Connection data

Input

| | |
|---------------------------------------|----------------------------|
| Connection method | Pluggable screw connection |
| Conductor cross section solid min. | 0.2 mm ² |
| Conductor cross section solid max. | 2.5 mm ² |
| Conductor cross section flexible min. | 0.2 mm ² |
| Conductor cross section flexible max. | 2.5 mm ² |
| Conductor cross section AWG min. | 16 |
| Conductor cross section AWG max. | 12 |
| Stripping length | 7 mm |
| Screw thread | M3 |
| Tightening torque, min | 0.5 Nm |
| Tightening torque max | 0.6 Nm |

Power supply unit - QUINT-PS/1AC/12DC/15



2866718

<https://www.phoenixcontact.com/pc/products/2866718>

Output

| | |
|---------------------------------------|----------------------------|
| Connection method | Pluggable screw connection |
| Conductor cross section solid min. | 0.2 mm ² |
| Conductor cross section solid max. | 2.5 mm ² |
| Conductor cross section flexible min. | 0.2 mm ² |
| Conductor cross section flexible max. | 2.5 mm ² |
| Conductor cross section AWG min. | 16 |
| Conductor cross section AWG max. | 12 |
| Stripping length | 7 mm |
| Screw thread | M3 |
| Tightening torque, min | 0.5 Nm |
| Tightening torque max | 0.6 Nm |

Signal

| | |
|---------------------------------------|----------------------------|
| Connection method | Pluggable screw connection |
| Conductor cross section solid min. | 0.2 mm ² |
| Conductor cross section solid max. | 2.5 mm ² |
| Conductor cross section flexible min. | 0.2 mm ² |
| Conductor cross section flexible max. | 2.5 mm ² |
| Conductor cross section AWG min. | 16 |
| Conductor cross section AWG max. | 12 |
| Screw thread | M3 |
| Tightening torque, min | 0.5 Nm |
| Tightening torque max | 0.6 Nm |

LED signaling

| | |
|--------------------|-------------------------|
| Types of signaling | LED |
| | Active switching output |
| | Relay contact |

Signal output: DC OK active

| | |
|------------------------|---|
| Status display | $U_{OUT} > 0.9 \times U_N$: "DC OK" LED green |
| Note on status display | $U_{OUT} < 0.9 \times U_N$: Flashing "DC OK" LED |
| | $I_{OUT} < I_N$: LED ON |

Signal output: DC OK floating

| | |
|------------------------|---|
| Status display | $U_{OUT} > 0.9 \times U_N$: "DC OK" LED green |
| Note on status display | $U_{OUT} < 0.9 \times U_N$: Flashing "DC OK" LED |

Signal output: POWER BOOST, active

| | |
|----------------|--------------------------------------|
| Status display | $I_{OUT} > I_N$: LED "BOOST" yellow |
|----------------|--------------------------------------|

Electrical properties

| | |
|---------------------------------|---------------------|
| Number of phases | 1.00 |
| Insulation voltage input/output | 4 kV AC (type test) |

Power supply unit - QUINT-PS/1AC/12DC/15



2866718

<https://www.phoenixcontact.com/pc/products/2866718>

| | |
|--------------------------------|-------------------------|
| | 2 kV AC (routine test) |
| Insulation voltage output / PE | 500 V DC (routine test) |
| Insulation voltage input / PE | 3.5 kV AC (type test) |
| | 2 kV AC (routine test) |

Product properties

| | |
|----------------------------|---------------------|
| Product type | Power supply |
| Product family | QUINT POWER |
| MTBF (IEC 61709, SN 29500) | > 1000000 h (25 °C) |
| | > 570000 h (40 °C) |
| | > 250000 h (60 °C) |

Insulation characteristics

| | |
|---------------------|---|
| Protection class | I |
| Degree of pollution | 2 |

Dimensions

| | |
|--------|--------|
| Width | 60 mm |
| Height | 130 mm |
| Depth | 125 mm |

Installation dimensions

| | |
|----------------------------------|---------------|
| Installation distance right/left | 5 mm / 5 mm |
| Installation distance top/bottom | 50 mm / 50 mm |

Alternative assembly

| | |
|--------|--------|
| Width | 122 mm |
| Height | 130 mm |
| Depth | 63 mm |

Mounting

| | |
|-------------------------|---|
| Mounting type | DIN rail mounting |
| Assembly instructions | alignable: $P_N \geq 50\%$, 5 mm horizontally, 15 mm next to active components, 50 mm vertically alignable: $P_N < 50\%$, 0 mm horizontally, 40 mm vertically top, 20 mm vertically bottom |
| Mounting position | horizontal DIN rail NS 35, EN 60715 |
| With protective coating | No |

Material specifications

| | |
|------------------|--------------------------|
| Housing material | Metal |
| Type of housing | Steel sheet, zinc-plated |

Environmental and real-life conditions

Ambient conditions

| | |
|----------------------|------|
| Degree of protection | IP20 |
|----------------------|------|

Power supply unit - QUINT-PS/1AC/12DC/15



2866718

<https://www.phoenixcontact.com/pc/products/2866718>

| | |
|--|--|
| Ambient temperature (operation) | -25 °C ... 70 °C (> 60 °C Derating: 2,5 %/K) |
| Ambient temperature (storage/transport) | -40 °C ... 85 °C |
| Ambient temperature (start-up type tested) | -40 °C |
| Maximum altitude | 5000 m |
| Climatic class | 3K3 (in acc. with EN 60721) |
| Max. permissible relative humidity (operation) | ≤ 95 % (at 25 °C, non-condensing) |
| Shock | 18 ms, 30g, in each space direction (according to IEC 60068-2-27) |
| Vibration (operation) | < 15 Hz, amplitude ±2.5 mm (according to IEC 60068-2-6) 15 Hz ... 150 Hz, 2.3g, 90 min. |

Standards and regulations

| | |
|--|------------------------|
| Rail applications | EN 50121-4 |
| | EN 50121-3-2 |
| Standard – Limitation of mains harmonic currents | EN 61000-3-2 |
| Standard - Electrical safety | IEC 61010-2-201 (SELV) |
| Standard - Equipment safety | GS (tested safety) |
| Standard - Approval for medical use | IEC 60601-1, 2 x MOOP |
| Standard – Protection against shock currents, basic requirements for protective separation in electrical equipment | EN 50178 |
| Standard – Safety extra-low voltage | IEC 61010-1 (SELV) |
| | IEC 61010-2-201 (PELV) |
| Standard - Safe isolation | IEC 61010-2-201 |
| Standard - safety for equipment for measurement, control, and laboratory use | IEC 61010-1 |

Overvoltage category

| | |
|------------|-----|
| EN 62477-1 | III |
|------------|-----|

Approval data

| | |
|--------------|--|
| CSA | CAN/CSA-C22.2 No. 60950-1-07 |
| | CSA-C22.2 No. 107.1-01 |
| UL approvals | UL Listed UL 508 |
| | UL/C-UL Recognized UL 60950-1 |
| | UL ANSI/ISA-12.12.01 Class I, Division 2, Groups A, B, C, D (Hazardous Location) |

EMC data

| | |
|-------------------------------------|---|
| Low Voltage Directive | Conformance with Low Voltage Directive 2014/35/EC |
| Electromagnetic compatibility | Conformance with EMC Directive 2014/30/EU |
| EMC requirements for noise emission | EN 61000-6-3 |
| | EN 61000-6-4 |
| EMC requirements for noise immunity | EN 61000-6-1 |
| | EN 61000-6-2 |
| Noise emission | EN 55011 (EN 55022) |
| Noise immunity | EN 61000-6-2 |

Power supply unit - QUINT-PS/1AC/12DC/15



2866718

<https://www.phoenixcontact.com/pc/products/2866718>

Electrostatic discharge

| | |
|-----------------------|--------------|
| Standards/regulations | EN 61000-4-2 |
|-----------------------|--------------|

Electrostatic discharge

| | |
|-------------------|----------------------|
| Contact discharge | 8 kV (Test Level 4) |
| Discharge in air | 15 kV (Test Level 4) |
| Comments | Criterion A |

Electromagnetic HF field

| | |
|-----------------------|--------------|
| Standards/regulations | EN 61000-4-3 |
|-----------------------|--------------|

Electromagnetic HF field

| | |
|---------------------|-----------------------|
| Frequency range | 80 MHz ... 1 GHz |
| Test field strength | 20 V/m (Test Level 3) |
| Frequency range | 1 GHz ... 2 GHz |
| Test field strength | 10 V/m (Test Level 3) |
| Frequency range | 2 GHz ... 3 GHz |
| Test field strength | 10 V/m (Test Level 3) |
| Comments | Criterion A |

Fast transients (burst)

| | |
|-----------------------|--------------|
| Standards/regulations | EN 61000-4-4 |
|-----------------------|--------------|

Fast transients (burst)

| | |
|----------|------------------------------------|
| Input | 4 kV (Test Level 4 - asymmetrical) |
| Output | 2 kV (Test Level 3 - asymmetrical) |
| Signal | 2 kV (Test Level 4 - asymmetrical) |
| Comments | Criterion A |

Surge voltage load (surge)

| | |
|-----------------------|---|
| Standards/regulations | EN 61000-4-5 |
| Input | 2 kV (Test Level 3 - symmetrical) 4 kV (Test Level 4 - asymmetrical) |
| Output | 1 kV (Test Level 2 - symmetrical) 2 kV (Test Level 3 - asymmetrical) |
| Signal | 1 kV (Test Level 2 - asymmetrical) |
| Comments | Criterion A |

Conducted interference

| | |
|-----------------------|--------------|
| Standards/regulations | EN 61000-4-6 |
|-----------------------|--------------|

Conducted interference

| | |
|-----------------|---------------------|
| I/O/S | asymmetrical |
| Frequency range | 0.15 MHz ... 80 MHz |
| Comments | Criterion A |
| Voltage | 10 V (Test Level 3) |

Power supply unit - QUINT-PS/1AC/12DC/15



2866718

<https://www.phoenixcontact.com/pc/products/2866718>

Emitted interference

| | |
|--|--|
| Standards/regulations | EN 61000-6-3 |
| Radio interference voltage in acc. with EN 55011 | EN 55011 (EN 55022) Class B, area of application: Industry and residential |
| Emitted radio interference in acc. with EN 55011 | EN 55011 (EN 55022) Class B, area of application: Industry and residential |

Criteria

| | |
|-------------|--|
| Criterion A | Normal operating behavior within the specified limits. |
| Criterion B | Temporary impairment to operational behavior that is corrected by the device itself. |

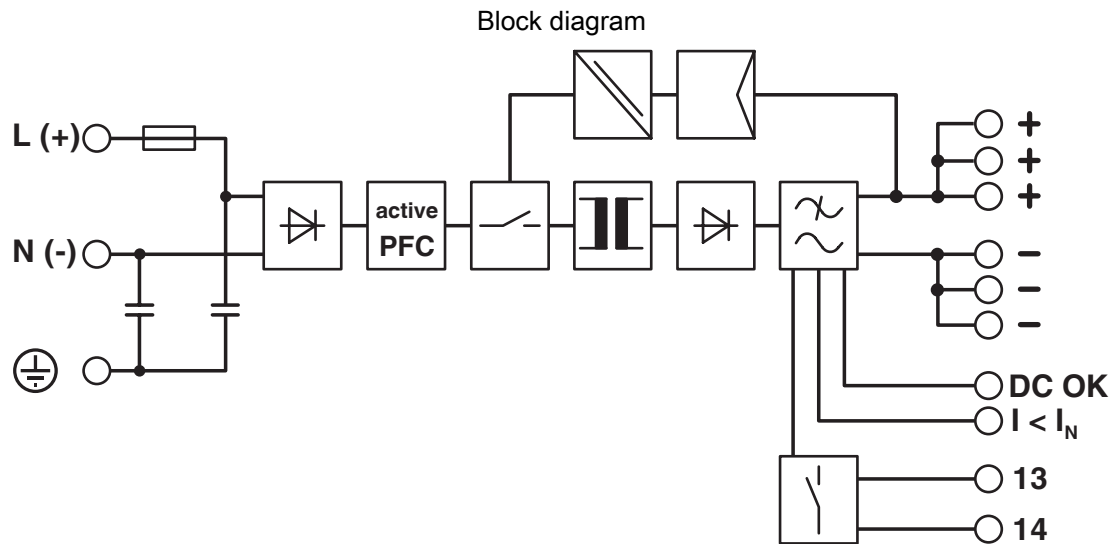
Power supply unit - QUINT-PS/1AC/12DC/15



2866718

<https://www.phoenixcontact.com/pc/products/2866718>

Drawings



Power supply unit - QUINT-PS/1AC/12DC/15



2866718

<https://www.phoenixcontact.com/pc/products/2866718>

Approvals



cUL Recognized
Approval ID: FILE E 211944



UL Recognized
Approval ID: FILE E 211944



IECEE CB Scheme
Approval ID: SI-2093 A1



EAC
Approval ID: EAC-Zulassung



EAC
Approval ID: EAC-Zulassung



UL Listed
Approval ID: FILE E 123528



cUL Listed
Approval ID: FILE E 123528

SEMI F47
Approval ID: SEMI F47



EAC
Approval ID: RU S-DE.BL08.W.00764



UL Recognized
Approval ID: FILE E 211944



IECEE CB Scheme
Approval ID: SI-2093 A1



cUL Recognized
Approval ID: FILE E 211944

Power supply unit - QUINT-PS/1AC/12DC/15



2866718

<https://www.phoenixcontact.com/pc/products/2866718>



cUL Listed

Approval ID: FILE E 123528



UL Listed

Approval ID: FILE E 123528



EAC

Approval ID: RU S-DE.BL08.W.00764

SEMI F47

Approval ID: SEMI F47



EAC

Approval ID: RU S-DE.BL08.W.00764



EAC

Approval ID: RU S-DE.BL08.W.00764



cUL Listed

Approval ID: FILE E 199827



UL Listed

Approval ID: FILE E 199827



UL Listed

Approval ID: FILE E 199827



cUL Listed

Approval ID: FILE E 199827

Power supply unit - QUINT-PS/1AC/12DC/15



2866718

<https://www.phoenixcontact.com/pc/products/2866718>

Classifications

ECLASS

| | |
|---------------|----------|
| ECLASS-9.0 | 27040701 |
| ECLASS-10.0.1 | 27040701 |
| ECLASS-11.0 | 27040701 |

ETIM

| | |
|----------|----------|
| ETIM 8.0 | EC002540 |
|----------|----------|

UNSPSC

| | |
|-------------|----------|
| UNSPSC 21.0 | 39121000 |
|-------------|----------|

Power supply unit - QUINT-PS/1AC/12DC/15



2866718

<https://www.phoenixcontact.com/pc/products/2866718>

Environmental Product Compliance

| | |
|------------|--|
| REACH SVHC | Lead 7439-92-1 |
| China RoHS | Environmentally Friendly Use Period = 25; |
| | For information on hazardous substances, refer to the manufacturer's declaration available under "Downloads" |

Power supply unit - QUINT-PS/1AC/12DC/15

2866718

<https://www.phoenixcontact.com/pc/products/2866718>

Accessories

DIN rail adapter

DIN rail adapter - UTA 107 - 2853983

<https://www.phoenixcontact.com/pc/products/2853983>

Universal DIN rail adapter, for screwing on switchgear



Mounting adapter

Mounting adapter - UWA 182/52 - 2938235

<https://www.phoenixcontact.com/pc/products/2938235>

Universal wall adapter for securely mounting the device in the event of strong vibrations. The device is screwed directly onto the mounting surface. The universal wall adapter is attached on the top/bottom.



Power supply unit - QUINT-PS/1AC/12DC/15

2866718

<https://www.phoenixcontact.com/pc/products/2866718>



Mounting adapter

Mounting adapter - QUINT-PS-ADAPTERS7/2 - 2938206

<https://www.phoenixcontact.com/pc/products/2938206>

Assembly adapter for QUINT POWER 10A on S7-300 rail



Redundancy module

Redundancy module - QUINT-DIODE/12-24DC/2X20/1X40 - 2320157

<https://www.phoenixcontact.com/pc/products/2320157>

DIN rail diode module 12-24 V DC/2x20 A or 1x40 A. Uniform redundancy up to the consumer.



Power supply unit - QUINT-PS/1AC/12DC/15



2866718

<https://www.phoenixcontact.com/pc/products/2866718>

Redundancy module

Redundancy module - TRIO-DIODE/12-24DC/2X10/1X20 - 2866514

<https://www.phoenixcontact.com/pc/products/2866514>



Redundancy module with function monitoring, 12 ... 24 V DC, 2x 10 A, 1x 20 A

Thermomagnetic device circuit breaker

Thermomagnetic device circuit breaker - CB TM1 1A SFB P - 2800836

<https://www.phoenixcontact.com/pc/products/2800836>



Thermomagnetic device circuit breaker, 1-pos., tripping characteristic SFB, 1 changeover contact, plug for base element.

Power supply unit - QUINT-PS/1AC/12DC/15

2866718

<https://www.phoenixcontact.com/pc/products/2866718>

Thermomagnetic device circuit breaker

Thermomagnetic device circuit breaker - CB TM1 2A SFB P - 2800837

<https://www.phoenixcontact.com/pc/products/2800837>



Thermomagnetic device circuit breaker, 1-pos., tripping characteristic SFB, 1 changeover contact, plug for base element.

Thermomagnetic device circuit breaker

Thermomagnetic device circuit breaker - CB TM1 3A SFB P - 2800838

<https://www.phoenixcontact.com/pc/products/2800838>



Thermomagnetic device circuit breaker, 1-pos., tripping characteristic SFB, 1 changeover contact, plug for base element.

Power supply unit - QUINT-PS/1AC/12DC/15

2866718

<https://www.phoenixcontact.com/pc/products/2866718>

Thermomagnetic device circuit breaker

Thermomagnetic device circuit breaker - CB TM1 4A SFB P - 2800839

<https://www.phoenixcontact.com/pc/products/2800839>



Thermomagnetic device circuit breaker, 1-pos., tripping characteristic SFB, 1 changeover contact, plug for base element.

Thermomagnetic device circuit breaker

Thermomagnetic device circuit breaker - CB TM1 5A SFB P - 2800840

<https://www.phoenixcontact.com/pc/products/2800840>



Thermomagnetic device circuit breaker, 1-pos., tripping characteristic SFB, 1 changeover contact, plug for base element.

Power supply unit - QUINT-PS/1AC/12DC/15



2866718

<https://www.phoenixcontact.com/pc/products/2866718>

Type 3 surge protection device

Type 3 surge protection device - PLT-SEC-T3-230-FM-UT - 2907919

<https://www.phoenixcontact.com/pc/products/2907919>



Type 2/3 surge protection, consisting of protective plug and base element with screw connection. For single-phase power supply network with integrated status indicator and remote signaling. Nominal voltage: 230 V AC/DC

Type 3 surge protection device

Type 3 surge protection device - PLT-SEC-T3-24-FM-UT - 2907916

<https://www.phoenixcontact.com/pc/products/2907916>



Type 3 surge protection, consisting of protective plug and base element, with integrated status indicator and remote signaling for single-phase power supply networks. Nominal voltage: 24 V AC/DC

Phoenix Contact 2023 © - all rights reserved
<https://www.phoenixcontact.com>

PHOENIX CONTACT GmbH & Co. KG
Flachsmarktstraße 8
D-32825 Blomberg
+49 (0) 5235-3 00
info@phoenixcontact.com