

# DT-UFB-V24/S-9-SB - Surge protection device



2803069

<https://www.phoenixcontact.com/pc/products/2803069>

Please be informed that the data shown in this PDF document is generated from our Online Catalog. Please find the complete data in the user documentation. Our General Terms of Use for Downloads are valid.



Attachment plug with surge protection for V.24 interface. Connection: D-SUB-9 plug/socket, installation in lines

## Your advantages

- Easy network integration via D-SUB connection
- No signal interference with adapted protective circuit
- Can be installed in a control cabinet by removing the ground connection adapter

## Commercial Data

Item number	2803069
Packing unit	1 pc
Minimum order quantity	1 pc
Product Key	CL3112
Catalog Page	Page 168 (C-4-2019)
GTIN	4046356312974
Weight per Piece (including packing)	330 g
Weight per Piece (excluding packing)	300.55 g
Customs tariff number	85363010
Country of origin	DE

# DT-UFB-V24/S-9-SB - Surge protection device



2803069

<https://www.phoenixcontact.com/pc/products/2803069>

## Technical Data

### Product properties

IEC test classification	B2
	C1
	C2
	C3
VDE requirement class	B2
	C1
	C2
	C3
Type	Attachment plug for DIN rail mounting
Product type	Surge protection for information technology
Product family	DATATRAB
Number of positions	9

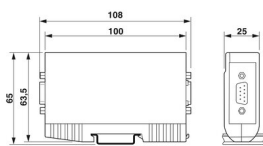
### Insulation characteristics

Overvoltage category	II
----------------------	----

### Connection data

Connection method	D-SUB-9
-------------------	---------

### Dimensions

Dimensional drawing	
Width	25 mm
Height	102 mm
Depth	63.5 mm

### Material specifications

Color	silver/black
Housing material	Zinc die-cast

### Mechanical properties

#### Mechanical data

Open side panel	No
-----------------	----

### Protective circuit

# DT-UFB-V24/S-9-SB - Surge protection device



2803069

<https://www.phoenixcontact.com/pc/products/2803069>

Direction of action	Line-Line & Line-Signal Ground/Shield & Signal Ground/Shield-Earth Ground
Maximum continuous voltage $U_C$	15 V DC
	10 V AC
Rated current	$\leq 1$ A (25 °C)
Operating effective current $I_C$ at $U_C$	$\leq 5$ $\mu$ A (per wire)
Residual current $I_{PE}$	$\leq 1$ $\mu$ A
Nominal discharge current $I_n$ (8/20) $\mu$ s (line-line)	$\leq 250$ A
Nominal discharge surge current $I_n$ (8/20) $\mu$ s (Core-Earth)	$\leq 250$ A
Nominal discharge current $I_n$ (8/20) $\mu$ s (line-signal ground)	$\leq 250$ A
Nominal discharge current $I_n$ (8/20) $\mu$ s (signalground-earth)	$\leq 5$ kA
Total discharge current $I_{total}$ (8/20) $\mu$ s	5 kA
Nominal pulse current $I_{an}$ (10/1000) $\mu$ s (line-line)	50 A
Nominal pulse current $I_{an}$ (10/1000) $\mu$ s (line-earth)	50 A
Nominal pulse current $I_{an}$ (10/1000) $\mu$ s (line-signalground)	50 A
Nominal pulse current $I_{an}$ (10/700) $\mu$ s (line-line)	50 A
Nominal pulse current $I_{an}$ (10/700) $\mu$ s (line-earth)	50 A
Nominal pulse current $I_{an}$ (10/700) $\mu$ s (line-signalground)	50 A
Output voltage limitation at 1 kV/ $\mu$ s (line-line) static	$\leq 50$ V
Output voltage limitation at 1 kV/ $\mu$ s (line-signalground) static	$\leq 30$ V
Residual voltage at $I_n$ (conductor-conductor)	$\leq 55$ V
Residual voltage at $I_n$ (line-signalground)	$\leq 30$ V
Voltage protection level $U_p$ (line-line)	$\leq 55$ V (C1 - 250 A)
	$\leq 55$ V (B2 - 25 A)
Voltage protection level $U_p$ (line-earth)	$\leq 450$ V (C1 - 250 A)
	$\leq 400$ V (B2 - 25 A)
Voltage protection level $U_p$ (line-signalground)	$\leq 30$ V (C1 - 250 A)
	$\leq 30$ V (B2 - 25 A)
Response time $t_A$ (line-line)	$\leq 1$ ns
Response time $t_A$ (line-earth)	$\leq 100$ ns
Response time $t_A$ (line-signalground)	$\leq 1$ ns
Response time $t_A$ (shield-earth)	$\leq 100$ ns
Input attenuation aE, sym.	typ. 0.3 dB ( $\leq 700$ kHz / 100 $\Omega$ )
	typ. 0.3 dB ( $\leq 700$ kHz / 150 $\Omega$ )
Input attenuation aE, asym.	typ. 0.3 dB ( $\leq 400$ kHz / 100 $\Omega$ )
	typ. 0.3 dB ( $\leq 400$ kHz / 150 $\Omega$ )
Cut-off frequency $f_g$ (3 dB), sym. in 100 $\Omega$ system	typ. 2.5 MHz
Cut-off frequency $f_g$ (3 dB), sym. in 150 $\Omega$ system	typ. 2.5 MHz
Cut-off frequency $f_g$ (3 dB), asym. (signal ground) in 100 $\Omega$ system	typ. 1.3 MHz
Cut-off frequency $f_g$ (3 dB), asym. (signal ground) in 150 $\Omega$ system	typ. 1.3 MHz
Capacity (Core-Core)	typ. 1 nF (f=1 MHz / $V_R=0$ V)
Capacity (line-signalground)	typ. 2 nF (f=1 MHz / $V_R=0$ V)
Surge protection fault message	none

# DT-UFB-V24/S-9-SB - Surge protection device



2803069

<https://www.phoenixcontact.com/pc/products/2803069>

Impulse durability (line-line)	B2 - 1 kV / 25 A
	C1 - 500 V / 250 A
Impulse durability (line-signalground)	B2 - 1 kV/25 A
	C1 - 500 V/250 A
Impulse durability (signalground-earth)	B2 - 4 kV / 100 A
	C1 - 100 V / 500 A
	C2 - 10 kV/5 kA
Alternating current carrying capacity (signalground-earth)	5 A - 1 s

## Environmental and real-life conditions

### Ambient conditions

Degree of protection	IP20
Ambient temperature (operation)	-40 °C ... 85 °C

## Standards and regulations

VDE requirement class	B2
	C1
	C2
	C3

### Air clearances and creepage distances

Standards/regulations	IEC 60664-1 / VDE 0110-1
-----------------------	--------------------------

### Standards Information technology specification

Standards/regulations	IEC 61643-21
	IEC 61643-21
Standards/specifications	DIN EN 61643-21
Standards/specifications	IEC 61643-21

## Mounting

Mounting type	Connection-specific attachment plug and DIN rail, 35 mm
---------------	---

# DT-UFB-V24/S-9-SB - Surge protection device

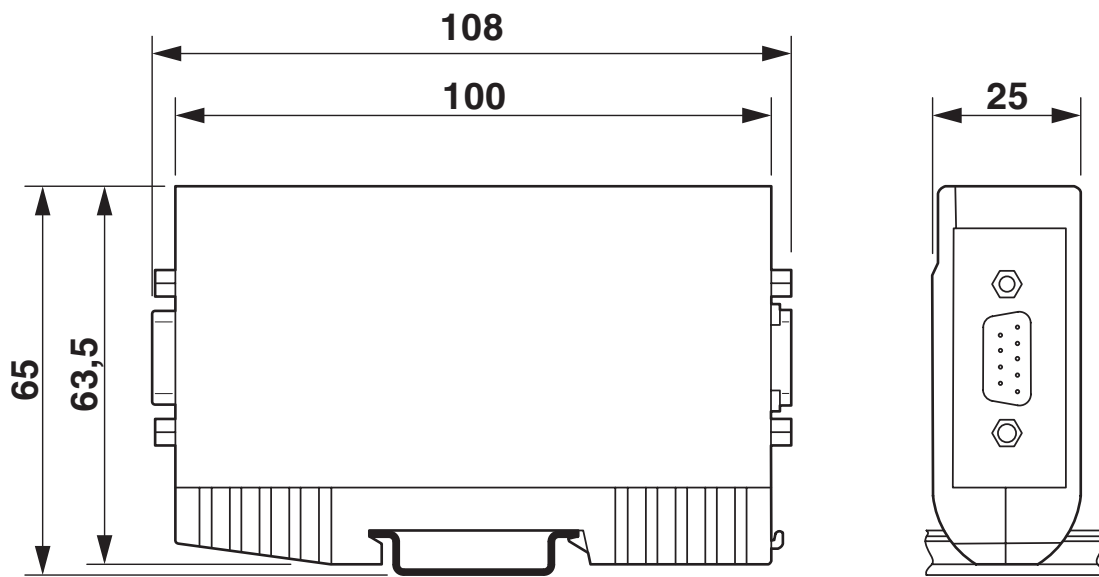


2803069

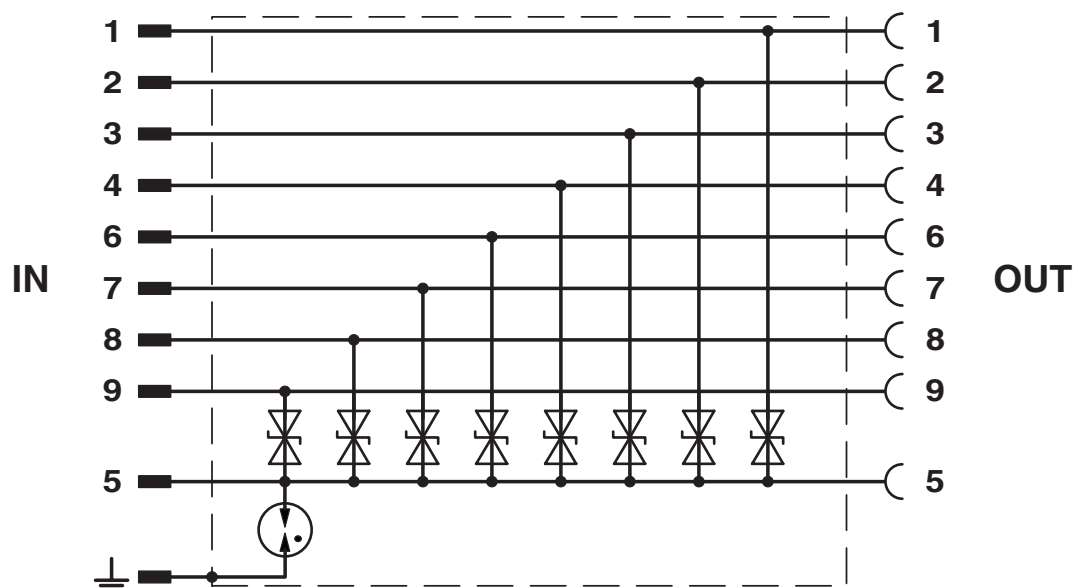
<https://www.phoenixcontact.com/pc/products/2803069>

## Drawings

Dimensional drawing



Circuit diagram



# DT-UFB-V24/S-9-SB - Surge protection device



2803069

<https://www.phoenixcontact.com/pc/products/2803069>

## Approvals

**EAC** **EAC**  
Approval ID: EAC-Zulassung

**EAC** **EAC**  
Approval ID: RU C-DE.\*09.B.00169

# DT-UFB-V24/S-9-SB - Surge protection device



2803069

<https://www.phoenixcontact.com/pc/products/2803069>

## Classifications

### ECLASS

ECLASS-9.0	27130807
ECLASS-10.0.1	27130807
ECLASS-11.0	27130807

### ETIM

ETIM 8.0	EC000943
----------	----------

### UNSPSC

UNSPSC 21.0	39121600
-------------	----------

# DT-UFB-V24/S-9-SB - Surge protection device



2803069

<https://www.phoenixcontact.com/pc/products/2803069>

## Environmental Product Compliance

REACH SVHC	Lead 7439-92-1
China RoHS	Environmentally Friendly Use Period = 50 years
	For information on hazardous substances, refer to the manufacturer's declaration available under "Downloads"



# DT-UFB-V24/S-9-SB - Surge protection device



2803069

<https://www.phoenixcontact.com/pc/products/2803069>

## Accessories

### VS-09-DSUB-20-LI-1,0 - D-SUB cable

1656233

<https://www.phoenixcontact.com/pc/products/1656233>



Assembled D-SUB cable, shielded, 9-pos., stranded (7-wire), cable color: RAL 7000 (gray), secured using 4-40 UNC thread, IP20 protection, head 1 with socket shell 1 and straight cable outlet, head 2 with pin shell 1 and straight cable outlet, length: 1 m

---

Phoenix Contact 2023 © - all rights reserved  
<https://www.phoenixcontact.com>

PHOENIX CONTACT GmbH & Co. KG  
Flachsmarktstraße 8  
D-32825 Blomberg  
+49 (0) 5235-3 00  
[info@phoenixcontact.com](mailto:info@phoenixcontact.com)