

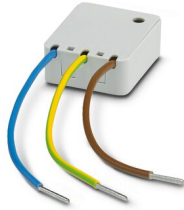
BLT-T3-230-A - Type 3 surge protection device



1038841

<https://www.phoenixcontact.com/pc/products/1038841>

Please be informed that the data shown in this PDF document is generated from our Online Catalog. Please find the complete data in the user documentation. Our General Terms of Use for Downloads are valid.



Type 3 surge protection for universal installation in installation boxes, sill-type trunking, underfloor installations. Circuit with thermal monitoring, acoustic fault warning.

Your advantages

- Optimal additional protection of the building installation for longer service life and increased availability of the end devices
- Can be used universally, thanks to its compact design
- Concealed surge protection, thanks to installation in the device socket
- Can be installed directly using pre-assembled and color-coded cables

Commercial Data

Item number	1038841
Packing unit	10 pc
Minimum order quantity	1 pc
Product Key	CL1441
Catalog Page	Page 86 (C-4-2019)
GTIN	4055626593203
Weight per Piece (including packing)	21.92 g
Weight per Piece (excluding packing)	16.06 g
Customs tariff number	85363030
Country of origin	DE

BLT-T3-230-A - Type 3 surge protection device

1038841

<https://www.phoenixcontact.com/pc/products/1038841>

Technical Data

Product properties

IEC power supply system	TN-S
	TT
Type	Socket mounting module
Product type	Device protection
Product family	BLOCKTRAB
Number of positions	2
Surge protection fault message	Acoustic

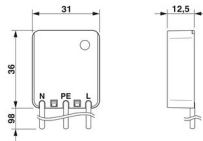
Insulation characteristics

Overvoltage category	III
Pollution degree	2
IEC test classification	III
	T3
EN type	T3
Number of ports	One

Connection data

Connection method	Single wires
-------------------	--------------

Dimensions

Dimensional drawing	
Width	12.5 mm
Height	31 mm
Depth	36 mm

Material specifications

Color	light grey RAL 7035
Flammability rating according to UL 94	V-0
CTI value of material	600
Insulating material	PA 6.6-FR
Material group	I
Housing material	PA 6.6-FR

Protective circuit

Mode of protection	L-N
	L-PE
	N-PE

BLT-T3-230-A - Type 3 surge protection device



1038841

<https://www.phoenixcontact.com/pc/products/1038841>

Direction of action	1L-N & N-PE
Nominal voltage U_N	230 V AC (TN-S)
	230 V AC (TT - only in use with RCD)
Nominal frequency f_N	50 Hz (60 Hz)
Maximum continuous voltage U_C	255 V AC
Residual current I_{PE}	$\leq 5 \mu\text{A}$
Reference test voltage U_{REF}	255 V AC
Maximum discharge current I_{max} (8/20) μs	4 kA
Combination wave U_{OC}	6 kV
Voltage protection level U_p	$\leq 1.5 \text{ kV}$
TOV behavior at U_T (L-N)	440 V AC (5 s / withstand mode)
	440 V AC (120 min / withstand mode)
TOV behavior at U_T (L-PE)	440 V AC (5 s / withstand mode)
	440 V AC (120 min / withstand mode)
	1455 V AC (200 ms / safe failure mode)
TOV behavior at U_T (N-PE)	1200 V AC (200 ms / safe failure mode)
Response time t_A (L-N)	$\leq 25 \text{ ns}$
Response time t_A (L-PE)	$\leq 100 \text{ ns}$
Response time t_A (N-PE)	$\leq 100 \text{ ns}$
Max. required back-up fuse	16 A (MCB B)
Short-circuit current rating I_{SCCR}	1.5 kA AC

Environmental and real-life conditions

Ambient conditions

Degree of protection	IP20 (Installed)
Ambient temperature (operation)	-20 °C ... 70 °C
Ambient temperature (storage/transport)	-20 °C ... 70 °C
Altitude	$\leq 2000 \text{ m}$ (amsl (above mean sea level))
Permissible humidity (operation)	5 % ... 95 %

Standards and regulations

Standards/specifications	IEC 61643-11
EN 61643-11	
Standards/specifications	EN 61643-11

Mounting

Mounting type	in device sockets and conductor routing systems made of insulating material
---------------	---

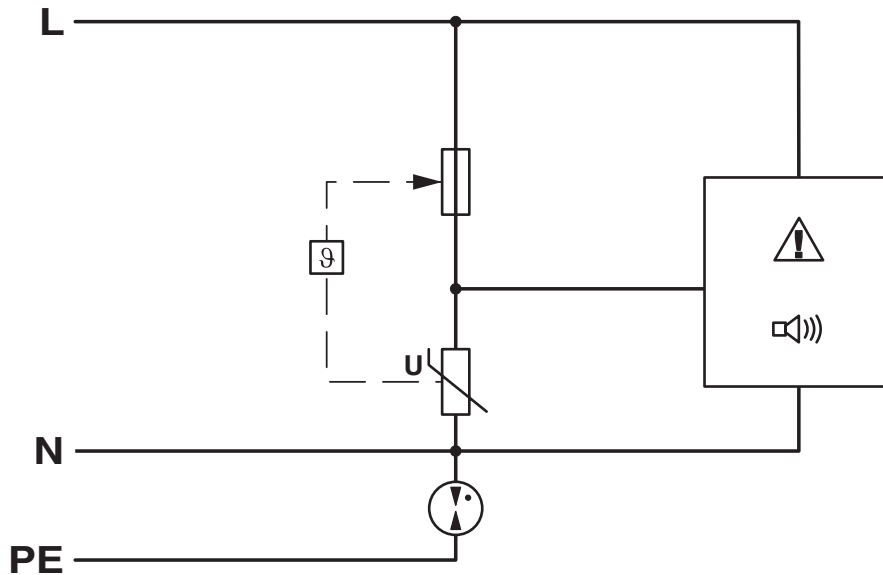
BLT-T3-230-A - Type 3 surge protection device

1038841

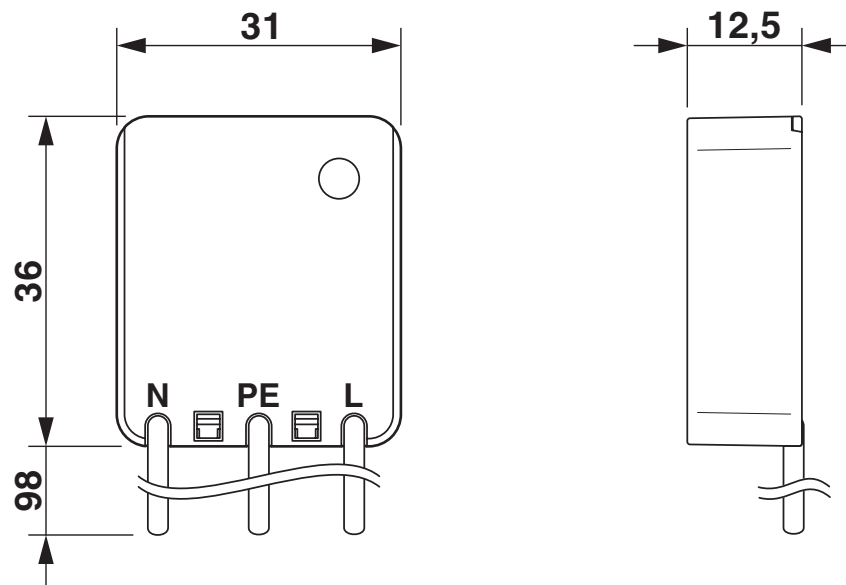
<https://www.phoenixcontact.com/pc/products/1038841>

Drawings

Circuit diagram



Dimensional drawing



BLT-T3-230-A - Type 3 surge protection device



1038841

<https://www.phoenixcontact.com/pc/products/1038841>

Classifications

ECLASS

ECLASS-9.0	27130806
ECLASS-10.0.1	27130806
ECLASS-11.0	27130806

ETIM

ETIM 8.0	EC000942
----------	----------

UNSPSC

UNSPSC 21.0	39121600
-------------	----------

BLT-T3-230-A - Type 3 surge protection device



1038841

<https://www.phoenixcontact.com/pc/products/1038841>

Environmental Product Compliance

China RoHS	Environmentally Friendly Use Period = 50 years For information on hazardous substances, refer to the manufacturer's declaration available under "Downloads"
------------	--

BLT-T3-230-A - Type 3 surge protection device



1038841

<https://www.phoenixcontact.com/pc/products/1038841>

Accessories

X-PEN 0,35 - Marker pen

0811228

<https://www.phoenixcontact.com/pc/products/0811228>



Marker pen without ink cartridge, for manual labeling of markers, labeling extremely wipe-proof, line thickness 0.35 mm

Phoenix Contact 2023 © - all rights reserved

<https://www.phoenixcontact.com>

PHOENIX CONTACT GmbH & Co. KG

Flachsmarktstraße 8

D-32825 Blomberg

+49 (0) 5235-3 00

info@phoenixcontact.com