

## ACT20P-CI-2CO-OLP-S

Weidmüller Interfaces GmbH & Co. KG

Postfach 3030

32760 Detmold

Tel. +49 5231 14-0

Fax. +49 5231 14-2083

info@weidmueller.com

www.weidmueller.com

### Similar to illustration



### ACT20P: The flexible solution

- Precise and highly functional signal converters
- Release levers simplify handling

### General ordering data

Version	Signal distributor, Output current loop powered, Input : 4-20 mA, Output : 2 x 4-20 mA, (loop powered)
Order No.	<a href="#">7760054122</a>
Type	ACT20P-CI-2CO-OLP-S
GTIN (EAN)	6944 169656620
Qty.	1 pc(s).

**ACT20P-CI-2CO-OLP-S**

Weidmüller Interfaces GmbH &amp; Co. KG

Postfach 3030

32760 Detmold

Tel. +49 5231 14-0

Fax. +49 5231 14-2083

info@weidmueller.com

www.weidmueller.com

**Technical data****Dimensions and weights**

Depth	114 mm	Depth (inches)	4.488 inch
Height	117.2 mm	Height (inches)	4.614 inch
Width	12.5 mm	Width (inches)	0.492 inch
Net weight	105 g		

**Temperatures**

Storage temperature	-40 °C...85 °C	Operating temperature	-20 °C...60 °C
Operating temperature, min.	-20 °C	Operating temperature, max.	60 °C
Humidity	5...95 %, no condensation		

**Probability of failure**

SIL in compliance with IEC 61508	None
----------------------------------	------

**Input**

Input current	4...20mA	Number of inputs	1
Sensor	Current source	Voltage drop, current input	< 3 V

**Output**

Load impedance current	$R_L = (U_B - 12 \text{ V}) / 20 \pm 20 \text{ mA}$ , e.g. 600 $\Omega$ at 24 V	Number of outputs	2
Output current	4...20 mA, loop-powered	Type	passive, connected control must be active

**General data**

Accuracy	< 0.1 % of end value	Configuration	none
Galvanic isolation	3-way isolator	Long-term drift	0
Rail	TS 35	Step response time	$\leq 2 \text{ ms}$
Temperature coefficient	$\leq 100 \text{ ppm/K}$	Type of connection	Screw connection
Voltage supply	via output current loop, min. 12 V DC/ max. 30 V DC		

**Insulation coordination**

EMC standards	EN 61010-1:2011, UL 61010-1, IEC61000-6-2, IEC 61000-6-4	Galvanic isolation	3-way isolator
Impulse withstand voltage	4 kV (1.2/50 $\mu\text{s}$ )	Insulation voltage	2 kV (Input /Output), 1 min, 50 Hz
Pollution severity	2	Rated voltage	300 V
Surge voltage category	III		

**Data for Ex applications (ATEX)**

Marking	II 3 G Ex ec IIC T6 Gc
---------	------------------------

**ACT20P-CI-2CO-OLP-S**

Weidmüller Interfaces GmbH &amp; Co. KG

Postfach 3030

32760 Detmold

Tel. +49 5231 14-0

Fax. +49 5231 14-2083

**Technical data**

info@weidmuller.com

www.weidmuller.com

0.4 Nm

2.5 mm<sup>2</sup>2.5 mm<sup>2</sup>

AWG 12

**Classifications**

ETIM 6.0 EC002653 ETIM 7.0 EC002653

ETIM 8.0 EC002653 ECLASS 9.0 27-21-01-20

ECLASS 9.1 27-21-01-20 ECLASS 10.0 27-21-01-20

ECLASS 11.0 27-21-01-20 ECLASS 12.0 27-21-01-20

**Environmental Product Compliance**

REACH SVHC Lead 7439-92-1

SCIP 2f6dd957-421a-46db-a0c2-cf1609156924

**Important note**

Product information

The ACT20P-CI-2CO-OLP-S fixed passive isolator isolates analogue standard current source signals. An analogue input current signal is converted linearly and doubled to provide two galvanically separated output current signals. The device is powered via the output current loop.

Features

- 3-way galvanic isolation between input, output 1 and output 2.

**Approvals**

Approvals



ROHS Conform

UL File Number Search UL Website

Certificate No. (cURusEX) E338066

Certificate no. (cULus) E469563

**Downloads**

Approval/Certificate/Document of Conformity

[ATEX Certification](#)  
[IECEx Certification](#)  
[UL Certification \(hazardous location\)](#)  
[UL Certification \(US-CAN\)](#)  
[Declaration of Conformity](#)

Engineering Data [CAD data – STEP](#)User Documentation [Instruction sheet](#)Catalogues [Catalogues in PDF-format](#)

**ACT20P-CI-2CO-OLP-S**

**Weidmüller Interfaces GmbH & Co. KG**

Postfach 3030

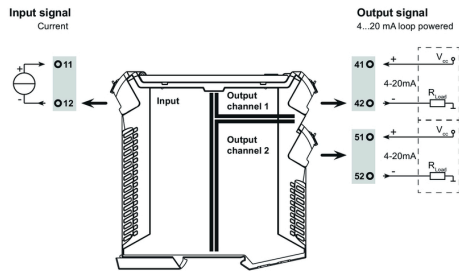
32760 Detmold

Tel. +49 5231 14-0

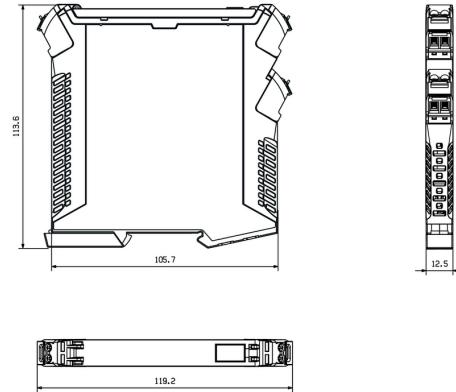
Fax. +49 5231 14-2083

**Drawings**

**Connection diagram**



**Dimensioned drawing** [info@weidmueller.com](mailto:info@weidmueller.com)



**ACT20P-CI-2CO-OLP-S**

**Weidmüller Interfaces GmbH & Co. KG**

Postfach 3030

32760 Detmold

Tel. +49 5231 14-0

Fax. +49 5231 14-2083

info@weidmueller.com

**Accessories**

**Blank**



ESG is the tried-and-tested marker in MultiCard format for use on many well-known electrical devices. The result is high-quality device marking with a high-contrast appearance.

Various types are available for devices from manufacturers like Siemens, ABB, Beckhoff etc. Advantages at a glance:

- Tags for universal usage, self-adhesive or clip-on tags, depending on type
- For aligned equipment, e.g. circuit breakers, we supply ESG markers for clipping onto tag rails
- Individual laser-quality printing according to specifications

**For custom printing:** Please send us a file of our labeling software M-Print PRO or M-Print PRO Online (without installation) for your labeling specifications.

**General ordering data**

Type	ESG 6.6/11 BHZ 5.00/02	Version
Order No.	<a href="#">1082490000</a>	ESG, Device markers x 11 mm, PA 66, Colour: white
GTIN (EAN)	4032248845330	
Qty.	200 pc(s).	

**ACT20P-CI-2CO-OLP-S**

**Weidmüller Interfaces GmbH & Co. KG**

Postfach 3030

32760 Detmold

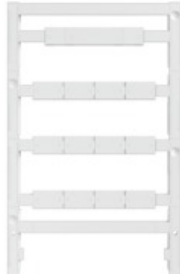
Tel. +49 5231 14-0

Fax. +49 5231 14-2083

info@weidmueller.com

**Accessories**

**Blank**



ESG is the tried-and-tested marker in MultiCard format for use on many well-known electrical devices. The result is high-quality device marking with a high-contrast appearance.

Various types are available for devices from manufacturers like Siemens, ABB, Beckhoff etc. Advantages at a glance:

- Tags for universal usage, self-adhesive or clip-on tags, depending on type
- For aligned equipment, e.g. circuit breakers, we supply ESG markers for clipping onto tag rails
- Individual laser-quality printing according to specifications

**For custom printing:** Please send us a file of our labeling software M-Print PRO or M-Print PRO Online (without installation) for your labeling specifications.

**General ordering data**

Type	ESG 8/13.5/43.3 SAI AU	Version
Order No.	<a href="#">1912130000</a>	ESG, Device markers x 13.5 mm, PA 66, Colour: Transparent
GTIN (EAN)	4032248541164	
Qty.	5 pc(s).	