

ACT20P-UI-2RCO-AC-P

Weidmüller Interfaces GmbH & Co. KG

Postfach 3030

32760 Detmold

Tel. +49 5231 14-0

Fax. +49 5231 14-2083

info@weidmueller.com

www.weidmueller.com

Product image



ACT20P: The flexible solution

- Precise and highly functional signal converters
- Release levers simplify handling

General ordering data

Version	Limit value monitoring, Input: temperature, R, U, I, Relay output, 90...264 V AC power supply, universal U, I, R, 2 x relays
Order No.	2495690000
Type	ACT20P-UI-2RCO-AC-P
GTIN (EAN)	4050118505979
Qty.	1 pc(s).

ACT20P-UI-2RCO-AC-P

Weidmüller Interfaces GmbH & Co. KG

Postfach 3030

32760 Detmold

Tel. +49 5231 14-0

Fax. +49 5231 14-2083

info@weidmueller.com

www.weidmueller.com

Technical data

Dimensions and weights

Depth	113.6 mm	Depth (inches)	4.472 inch
Height	127.1 mm	Height (inches)	5.004 inch
Width	22.5 mm	Width (inches)	0.886 inch
Net weight	307.077 g		

Probability of failure

SIL in compliance with IEC 61508 None

Input

Cable-length compensation	< $\pm 0.002 \Omega$ per cable resistance Ω	Influence of the sensor cable resistance	5 Ω @ RTD- Kabel
Input current	configurable, ± 25 mA DC, ± 5 A DC	Input resistance, current	40 Ω
Input resistance, voltage	2 M Ω , > 10 M Ω	Input voltage	configurable, ± 150 mV DC, ± 600 mV DC, ± 30 V DC, ± 300 V DC
Number of inputs	1	Potentiometer	1.2...500 k Ω
Resistance	0...10 k Ω , 0...12 k Ω , 0...15 k Ω	Sensor	Thermocouples: B, E, J, K, L, N, R, S, T, U, RTD: PT100, PT200, PT1000, Ni120, Cu10, 2-/3-/4-wire
Sensor supply	0.1 mA / 0.05 mA (depending on measuring range) @ RTD cable, 24 V (@ 4-20 mA loop)	Temperature input range	B: +100...+1820 °C, E: -270...+1000 °C, J: (-210...+1200 °C), K: -270...+1372 °C, L: +100...+900 °C, N: (-180...+1300 °C), R: -50...+1768 °C, S: -50...+1768 °C, T: -270...+400 °C, U: -200...+600 °C

Output (digital)

Alarm function	configurable, Top and bottom limit values, window range, Alarm delay: 0...99 s, Hysteresis adjustable, auto / manual reset	Max. switching voltage, AC	250 V
Max. switching voltage, DC	110 V	Number of digital outputs	2
Rated switching current	200mA @ 110Vdc, 6A @ 24Vdc / 240Vac	Type	2 CO contacts, normal / inverse adjustment, Switching frequency 20 Hz

General data

Configuration	With FDT/DTM software, or via 7-segment display, push-buttons and rotary encoder on the device itself, Requires configuration adapter 8978580000 CBX200 USB	Long-term drift	0.1 % / 10.000 h
Rail	TS 35	Temperature coefficient	<0.02 °C of measuring range / °C
Type of connection	PUSH IN	Voltage supply	90...264 V AC

Creation date March 17, 2023 3:40:16 AM CET

Catalogue status 03.03.2023 / We reserve the right to make technical changes.

ACT20P-UI-2RCO-AC-P

Weidmüller Interfaces GmbH & Co. KG

Postfach 3030

32760 Detmold

Tel. +49 5231 14-0

Fax. +49 5231 14-2083

Technical data

info@weidmueller.com

www.weidmueller.com

Connection data

Type of connection	PUSH IN	Tightening torque, min.	0.4 Nm
Tightening torque, max.	0.6 Nm	Clamping range, rated connection	2.5 mm ²
Clamping range, min.	0.5 mm ²	Clamping range, max.	2.5 mm ²
Wire connection cross section AWG, min.	AWG 26	Wire connection cross section AWG, max.	AWG 14
Wire cross-section, solid, min.	0.2 mm ²	Wire cross-section, solid, max.	2.5 mm ²
Wire connection cross section, finely stranded, min.	0.2 mm ²	Wire connection cross section, finely stranded, max.	2.5 mm ²
Wire connection cross-section, finely stranded with wire-end ferrules DIN 46228/4, min.	0.2 mm ²	Wire connection cross-section, finely stranded with wire-end ferrules DIN 46228/4, max.	2.5 mm ²

Classifications

ETIM 6.0	EC002654	ETIM 7.0	EC002654
ETIM 8.0	EC002654	ECLASS 9.0	27-21-01-22
ECLASS 9.1	27-21-01-22	ECLASS 10.0	27-21-01-22
ECLASS 11.0	27-21-01-22	ECLASS 12.0	27-21-01-22

Environmental Product Compliance

REACH SVHC	Lead 7439-92-1
SCIP	2f6dd957-421a-46db-a0c2-cf1609156924

Important note

Product information	<p>The devices of the ACT20P-UI-2RCO-XX-x family record current, voltage, potentiometer and temperature sensor signals (mA, A, mV, V, potentiometer, RTD and TC). They have two independent relay outputs which emit an alarm when levels exceed or fall below pre-set limits.</p> <p>Properties</p> <ul style="list-style-type: none"> • Configuration and diagnosis with the FDT/DTM software "WI-Manager". • Manual configuration on the device is performed via the LED display by means of operating buttons and rotary encoders. • The dual-channel trip amplifier enables various alarm functions: window alarm, alarm delay, wire break detection, hysteresis and upper / lower limit alarm. • The active or passive signal inputs for RTD, TC, potentiometer, voltage and current are fully galvanically isolated. • Remote diagnosis: reporting of errors (e.g. cable breaks) via status relay. • Operational status and relay status indicated by front panel LEDs. • Galvanic 4-way isolation between input, output and supply.
---------------------	--

Approvals

Approvals



ROHS

Conform

ACT20P-UI-2RCO-AC-P**Weidmüller Interfaces GmbH & Co. KG**

Postfach 3030

32760 Detmold

Tel. +49 5231 14-0

Fax. +49 5231 14-2083

info@weidmueller.com**Technical data****Downloads**

Engineering Data	CAD data – STEP	www.weidmueller.com
Software	Library and function block – WI-Manager, DTM-Library for online installation Release notes for Weidmueller FDT-DTM Software version	
User Documentation	Instruction sheet 20210120 Security Advisory - WI-Manager affected by MundM Software fdtCONTAINER vulnerability	
Catalogues	Catalogues in PDF-format	

ACT20P-UI-2RCO-AC-P

Weidmüller Interfaces GmbH & Co. KG

Postfach 3030

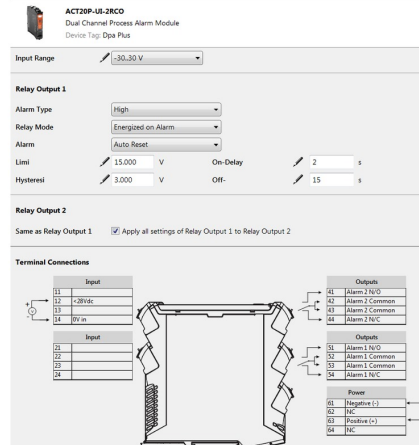
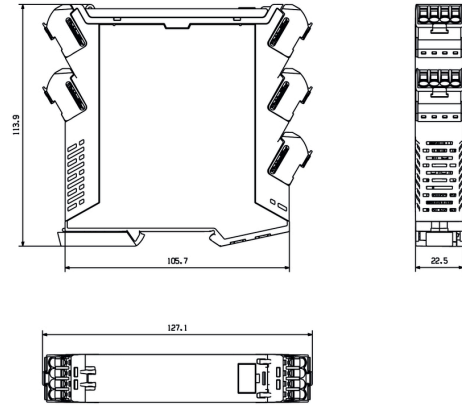
32760 Detmold

Tel. +49 5231 14-0

Fax. +49 5231 14-2083

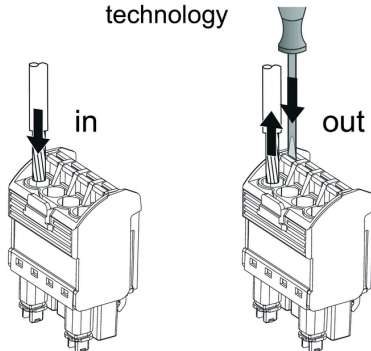
Drawings

Dimensioned drawing info@weidmueller.com



screenshot of configuration with FDT2 / DTM software

PUSH IN technology



ACT20P-UI-2RCO-AC-P

Weidmüller Interfaces GmbH & Co. KG

Postfach 3030

32760 Detmold

Tel. +49 5231 14-0

Fax. +49 5231 14-2083

info@weidmueller.com

Accessories

Blank



ESG is the tried-and-tested marker in MultiCard format for use on many well-known electrical devices. The result is high-quality device marking with a high-contrast appearance.

Various types are available for devices from manufacturers like Siemens, ABB, Beckhoff etc. Advantages at a glance:

- Tags for universal usage, self-adhesive or clip-on tags, depending on type
- For aligned equipment, e.g. circuit breakers, we supply ESG markers for clipping onto tag rails
- Individual laser-quality printing according to specifications

For custom printing: Please send us a file of our labeling software M-Print PRO or M-Print PRO Online (without installation) for your labeling specifications.

General ordering data

Type	ESG 6.6/20 BHZ 5.00/04	Version
Order No.	1082540000	ESG, Device markers x 20 mm, PA 66, Colour: white
GTIN (EAN)	4032248845439	
Qty.	200 pc(s).	

ACT20P-UI-2RCO-AC-P

Weidmüller Interfaces GmbH & Co. KG

Postfach 3030

32760 Detmold

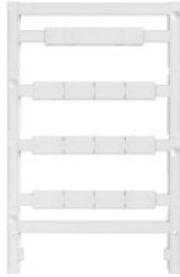
Tel. +49 5231 14-0

Fax. +49 5231 14-2083

info@weidmueller.com

Accessories

Blank



ESG is the tried-and-tested marker in MultiCard format for use on many well-known electrical devices. The result is high-quality device marking with a high-contrast appearance.

Various types are available for devices from manufacturers like Siemens, ABB, Beckhoff etc. Advantages at a glance:

- Tags for universal usage, self-adhesive or clip-on tags, depending on type
- For aligned equipment, e.g. circuit breakers, we supply ESG markers for clipping onto tag rails
- Individual laser-quality printing according to specifications

For custom printing: Please send us a file of our labeling software M-Print PRO or M-Print PRO Online (without installation) for your labeling specifications.

General ordering data

Type	ESG 8/13.5/43.3 SAI AU	Version
Order No.	1912130000	ESG, Device markers x 13.5 mm, PA 66, Colour: Transparent
GTIN (EAN)	4032248541164	
Qty.	5 pc(s).	

Configuration interfaces



General ordering data

Type	CBX200 USB
Order No.	8978580000
GTIN (EAN)	4032248813759
Qty.	1 pc(s).

ACT20P-UI-2RCO-AC-P

Weidmüller Interfaces GmbH & Co. KG

Postfach 3030

32760 Detmold

Tel. +49 5231 14-0

Fax. +49 5231 14-2083

info@weidmueller.com

www.weidmueller.com

Drawings

