

Uninterruptible power supply - QUINT4-UPS/24DC/24DC/5/PN



2906993

<https://www.phoenixcontact.com/pc/products/2906993>

Please be informed that the data shown in this PDF document is generated from our Online Catalog. Please find the complete data in the user documentation. Our General Terms of Use for Downloads are valid.



QUINT UPS with IQ Technology, RJ45 communication interfaces (PROFINET), for DIN rail mounting, input: 24 V DC, output: 24 V DC / 5 A, charging current: 1.5 A

Product Description

The intelligent QUINT UPS for integration into established industrial networks: your systems continue to be supplied with uninterrupted power, even in the event of a mains failure. The battery management system with IQ Technology and a powerful battery charger ensures superior system availability.

Your advantages

- Easy integration into networks using PROFINET, EtherNet/IP, EtherCAT[®] and USB interfaces
- Evaluation of state of health (SOH) and state of charge (SOC), thanks to the intelligent battery management system (BMS)
- Automatic recognition of the battery capacities and technologies (VRLA-WTR, LI-ION)
- Monitoring of output current and voltage, as well as manual connection and disconnection of the system
- SFB Technology selectively trips standard miniature circuit breakers. Loads connected in parallel continue working.

Commercial Data

| | |
|--------------------------------------|---------------------|
| Item number | 2906993 |
| Packing unit | 1 pc |
| Minimum order quantity | 1 pc |
| Product Key | CMUI43 |
| Catalog Page | Page 316 (C-4-2019) |
| GTIN | 4055626171241 |
| Weight per Piece (including packing) | 640 g |
| Weight per Piece (excluding packing) | 470 g |
| Customs tariff number | 85371091 |
| Country of origin | CN |

Uninterruptible power supply - QUINT4-UPS/24DC/24DC/5/PN



2906993

<https://www.phoenixcontact.com/pc/products/2906993>

Technical Data

Input data

| | |
|---|---|
| Input voltage | 24 V DC |
| Input voltage range | 18 V DC ... 30 V DC 18 V DC ... 32 V DC |
| Electric strength, max. | 35 V DC (Protected against polarity reversal) |
| Internal input fuse | no |
| Voltage type of supply voltage | DC |
| Inrush current | ≤ 7 A (≤ 4 ms) |
| Reverse polarity protection | yes |
| Fixed backup threshold | 22 V DC |
| Dynamic activation threshold | > 1 V / 100 ms |
| Switch-on time | max. 3 s |
| Switch-on time during battery operation (Bat.-Start) | 8 s |
| Voltage drop, input/output | 0.3 V DC |
| Current consumption I_N (U_N , $I_{OUT} = I_N$, $I_{charge} = 0$) | 5.1 A |
| Current consumption I_{max} (U_N , $I_{OUT} = I_{Stat.Boost}$, $I_{charge} = max$) | 8.3 A |
| Current consumption $I_{No-Load}$ (U_N , $I_{OUT} = 0$, $I_{charge} = 0$) | 105 mA |
| Current consumption I_{charge} (U_N , $I_{OUT} = 0$, $I_{charge} = max$) | 1.9 A |
| Power consumption P_N (U_N , $I_{OUT} = I_N$, $I_{charge} = 0$) | 123 W |
| Power consumption P_{max} (U_N , $I_{OUT} = I_{Stat.Boost}$, $I_{charge} = max$) | 213 W |
| Power consumption $P_{No-Load}$ (U_N , $I_{OUT} = 0$, $I_{charge} = 0$) | 2.5 W |
| Power consumption P_{charge} (U_N , $I_{OUT} = 0$, $I_{charge} = max$) | 44 W |

Output data

| | |
|--|----------------------------------|
| Efficiency | typ. 97 % |
| Number of outputs | 1 |
| Short-circuit-proof | yes |
| No-load proof | yes |
| Switch-over time | 0 ms |
| UPS connection in parallel | no |
| UPS connection in series | no |
| Energy storage device connection in parallel | Yes, 5 (observe line protection) |
| Energy storage device connection in series | no |

Mains operation

| | |
|---------------------------------------|---|
| Output voltage | 24 V DC ($U_{OUT} = U_{IN} - 0.3$ V DC) |
| Output voltage range | 18 V DC ... 30 V DC ($U_{Out} = U_{In} - 0.3$ V DC) 18 V DC ... 32 V DC |
| Output current I_N | 5 A |
| Static Boost ($I_{Stat.Boost}$) | 6.25 A |
| Dynamic Boost ($I_{Dyn.Boost}$) | 10 A (5 s) |
| Selective Fuse Breaking (I_{SFB}) | 30 A (15 ms) |

Uninterruptible power supply - QUINT4-UPS/24DC/24DC/5/PN



2906993

<https://www.phoenixcontact.com/pc/products/2906993>

| | |
|--|-------------|
| Output power P_{OUT} (U_N , $I_{OUT} = I_N$) | 120 W |
| Output power P_{OUT} (U_N , $I_{OUT} = I_{stat.Boost}$) | 155 W |
| Output power P_{OUT} (U_N , $I_{OUT} = I_{dyn.Boost}$) | 240 W (5 s) |
| Power dissipation No load (U_N , $I_{Out} = 0$, $I_{Charge} = 0$) | 3 W |
| | 4 W |

Battery operation

| | |
|---|---|
| Output voltage | 24 V DC ($U_{OUT} = U_{BAT} - 0.3$ V DC) |
| Output voltage range | 19 V DC ... 32 V DC ($U_{OUT} = U_{BAT} - 0.3$ V DC) |
| Output current I_N | 5 A |
| Static Boost ($I_{Stat.Boost}$) | 6.25 A |
| Dynamic Boost ($I_{Dyn.Boost}$) | 10 A (5 s) |
| Selective Fuse Breaking (I_{SFB}) | 30 A (15 ms) |
| Output power P_{OUT} (U_N , $I_{OUT} = I_N$) | 120 W |
| Output power P_{OUT} (U_N , $I_{OUT} = I_{stat.Boost}$) | 150 W |
| Output power P_{OUT} (U_N , $I_{OUT} = I_{dyn.Boost}$) | 240 W (5 s) |

Energy storage

| | |
|---|------------------------|
| End-of-charge voltage | 32 V DC |
| End-of-charge voltage (temperature-compensated) | 25 V DC ... 32 V DC |
| Charging current (configurable) | max. 1.5 A |
| Nominal capacity (without additional charger) | 0.8 Ah ... 30 Ah |
| Max. capacity | 40 Ah |
| Charging time | 2.5 h (3.4 Ah) |
| Buffer time | 25 min. (3.4 Ah) |
| Deep discharge protection (configurable) | 19.2 V DC |
| Battery technology | VRLA, VRLA-WTR, LI-ION |
| Charge characteristic curve | IU_0U |
| IQ-Technology | yes |
| Temperature sensor | yes |
| Temperature compensation (configurable) | 42 mV/K |

Connection data

Input

| | |
|----------|-----|
| Position | 1.x |
|----------|-----|

Conductor connection

| | |
|--|---|
| Connection method | Screw connection |
| rigid | 0.2 mm ² ... 2.5 mm ² |
| flexible | 0.2 mm ² ... 2 mm ² |
| flexible with ferrule without plastic sleeve | 0.2 mm ² ... 2.5 mm ² |
| flexible with ferrule with plastic sleeve | 0.2 mm ² ... 2.5 mm ² |
| rigid (AWG) | 30 ... 12 (Cu) |
| Stripping length | 6.5 mm (rigid/flexible) |
| Tightening torque | 0.5 Nm ... 0.6 Nm |

Uninterruptible power supply - QUINT4-UPS/24DC/24DC/5/PN



2906993

<https://www.phoenixcontact.com/pc/products/2906993>

| | |
|-----------------------|-----------|
| Drive form screw head | Slotted L |
|-----------------------|-----------|

Output

| | |
|----------|-----|
| Position | 2.x |
|----------|-----|

Conductor connection

| | |
|--|---|
| Connection method | Screw connection |
| rigid | 0.2 mm ² ... 2.5 mm ² |
| flexible | 0.2 mm ² ... 2.5 mm ² |
| flexible with ferrule without plastic sleeve | 0.2 mm ² ... 2.5 mm ² |
| flexible with ferrule with plastic sleeve | 0.2 mm ² ... 2.5 mm ² |
| rigid (AWG) | 30 ... 12 (Cu) |
| Stripping length | 6.5 mm (rigid/flexible) |
| Tightening torque | 0.5 Nm ... 0.6 Nm |
| Drive form screw head | Slotted L |

Signal

| | |
|----------|-----|
| Position | 3.x |
|----------|-----|

Conductor connection

| | |
|--|--|
| Connection method | Push-in connection |
| rigid | 0.2 mm ² ... 1 mm ² |
| flexible | 0.2 mm ² ... 1 mm ² |
| flexible with ferrule without plastic sleeve | 0.2 mm ² ... 0.75 mm ² (Cu) 0.5 mm ² (recommended) |
| flexible with ferrule with plastic sleeve | 0.2 mm ² ... 0.75 mm ² |
| rigid (AWG) | 24 ... 16 (Cu) |
| Stripping length | 8 mm (rigid/flexible) |

Interfaces

| | |
|----------------------|--|
| Interface | PROFINET |
| Number of interfaces | 2 |
| Connection method | RJ45 |
| Locking | Locking clip |
| Transmission physics | Twisted-Pair |
| Features | Autonegotiation Autocrossing Autopolarity full duplex |
| Topology | Star Line |
| Transmission speed | 100 Mbps |
| Transmission length | max. 100 m |
| Cycle time | 1 ms (RT) |
| Access time | ≤ 2 s |
| | IEEE 802.3 |

Uninterruptible power supply - QUINT4-UPS/24DC/24DC/5/PN



2906993

<https://www.phoenixcontact.com/pc/products/2906993>

| | |
|----------------------|---------------------|
| Standards | IEC 61158 |
| | IEC 61784-2 |
| Supported protocols | PROFINET |
| | LLPD |
| Chipset | Renesas TPS-1 |
| Electrical isolation | yes |
| Device ID | 0142 _{hex} |
| Vendor ID | 00B0 _{hex} |

LED signaling

| | |
|--------------------|--------------------|
| Types of signaling | DC OK (green) |
| | Alarm (red) |
| | Bat.-Mode (yellow) |
| | SOC (red, green) |
| | Data (red, green) |

Product properties

| | |
|------------------------------------|------------------------------|
| Product type | Uninterruptible power supply |
| Product family | QUINT USV |
| MTBF (IEC 61709, SN 29500) | > 1189000 h (25 °C) |
| | > 736900 h (40 °C) |
| | > 372700 h (60 °C) |
| Environmental protection directive | RoHS Directive 2011/65/EU |
| | WEEE |
| | Reach |

Insulation characteristics

| | |
|---------------------|------------------|
| Protection class | III (without PE) |
| Degree of pollution | 2 |

Life expectancy (electrolytic capacitors)

| | |
|------|----------|
| Time | 224011 h |
|------|----------|

Dimensions

| | |
|--------|--------|
| Width | 35 mm |
| Height | 130 mm |
| Depth | 125 mm |

Installation dimensions

| | |
|--|---------------------------------------|
| Installation distance right/left (active) | 5 mm / 5 mm ($P_{Out} \geq 50\%$) |
| Installation distance right/left (passive) | 0 mm / 0 mm ($P_{Out} \geq 50\%$) |
| Installation distance right/left (active, passive) | 0 mm / 0 mm ($P_{Out} \leq 50\%$) |
| Installation distance top/bottom (active) | 50 mm / 50 mm ($P_{Out} \geq 50\%$) |
| Installation distance top/bottom (passive) | 40 mm / 20 mm ($P_{Out} \geq 50\%$) |
| Installation distance top/bottom (active, passive) | 40 mm / 20 mm ($P_{Out} \leq 50\%$) |

Uninterruptible power supply - QUINT4-UPS/24DC/24DC/5/PN



2906993

<https://www.phoenixcontact.com/pc/products/2906993>

Alternative assembly

| | |
|--------|--------|
| Width | 123 mm |
| Height | 130 mm |
| Depth | 37 mm |

Mounting

| | |
|-------------------|--|
| Mounting type | DIN rail mounting |
| Mounting position | On horizontal DIN rail NS 35/7.5 and NS 35/15 acc. to EN 60715 |

Material specifications

| | |
|--|------------------------|
| Flammability rating according to UL 94 (housing / terminal blocks) | V0 |
| Housing material | Metal |
| Hood version | Stainless steel X6Cr17 |
| Side element version | Aluminum AlMg3 |

Environmental and real-life conditions

Ambient conditions

| | |
|--|---|
| Degree of protection | IP20 |
| Ambient temperature (operation) | -25 °C ... 70 °C (> 60 °C Derating: 2,5 %/K) |
| Ambient temperature (storage/transport) | -40 °C ... 85 °C |
| Ambient temperature (start-up type tested) | -40 °C |
| Maximum altitude | ≤ 4000 m |
| Climatic class | 3K3 (EN 60721) |
| Max. permissible relative humidity (operation) | ≤ 95 % (at 25 °C, non-condensing) |
| Shock | 18 ms, 30g, in each space direction (according to IEC 60068-2-27) |
| Vibration (operation) | 2.3g |

Standards and regulations

Overvoltage category

| | |
|----------------|---------------|
| EN 61010-1 | II (≤ 4000 m) |
| EN 61010-2-201 | II (≤ 4000 m) |

Protective extra-low voltage

| | |
|--------------------------|------------------------|
| Standards/specifications | IEC 61010-1 (SELV) |
| | IEC 61010-2-201 (PELV) |

Approval data

UL

| | |
|----------------|---------------------------|
| Identification | UL/C-UL Listed UL 61010-1 |
|----------------|---------------------------|

UL

| | |
|----------------|-------------------------------|
| Identification | UL/C-UL Listed UL 61010-2-201 |
|----------------|-------------------------------|

Uninterruptible power supply - QUINT4-UPS/24DC/24DC/5/PN



2906993

<https://www.phoenixcontact.com/pc/products/2906993>

UL

| | |
|----------------|---|
| Identification | UL/C-UL Listed ANSI/ISA-12.12.01 Class I, Division 2, Groups A, B, C, D T4 (Hazardous Location) |
|----------------|---|

CSA

| | |
|----------------|------------------------------|
| Identification | CAN/CSA-C22.2 No. 61010-1-12 |
|----------------|------------------------------|

CSA

| | |
|----------------|-------------------------|
| Identification | CAN/CSA-IEC 61010-2-201 |
|----------------|-------------------------|

CSA

| | |
|----------------|--|
| Identification | CAN/CSA-C22.2 No. 213 Class I, Division 2, Groups A, B, C, D T4 (Hazardous Location) |
|----------------|--|

CB scheme

| | |
|----------------|-------------|
| Identification | IEC 61010-1 |
|----------------|-------------|

CB scheme

| | |
|----------------|-----------------|
| Identification | IEC 61010-2-201 |
|----------------|-----------------|

DNV

| | |
|----------------|--|
| Identification | Class Guideline DNVGL-CG-0339 |
| Note | Location classes: Temperature D (see Application/Limitation), Humidity B, Vibration A/C, EMC B |

EMC data

| | |
|-------------------------------------|---|
| Low Voltage Directive | Conformance with Low Voltage Directive 2014/35/EC |
| Electromagnetic compatibility | Conformance with EMC Directive 2014/30/EU |
| EMC requirements for noise emission | EN 61000-6-3 |
| | EN 61000-6-4 |
| EMC requirements for noise immunity | EN 61000-6-1 |
| | EN 61000-6-2 |
| Interference emission | Interference emission in accordance with EN 61000-6-3 (residential and commercial) |
| Noise emission | Additional basic standard EN 61000-6-5 (immunity in power station), IEC/EN 61850-3 (energy supply) |
| Noise immunity | Immunity in accordance with EN 61000-6-1 (residential), EN 61000-6-2 (industrial), and EN 61000-6-5 (power station equipment zone), IEC/EN 61850-3 (power supply) |
| | Immunity in accordance with EN 61000-6-2 (industrial) |

Electrostatic discharge

| | |
|-----------------------|--------------|
| Standards/regulations | EN 61000-4-2 |
|-----------------------|--------------|

Electrostatic discharge

| | |
|-------------------|----------------------|
| Contact discharge | 8 kV (Test Level 4) |
| Discharge in air | 15 kV (Test Level 4) |
| Comments | Criterion B |

Electromagnetic HF field

Uninterruptible power supply - QUINT4-UPS/24DC/24DC/5/PN



2906993

<https://www.phoenixcontact.com/pc/products/2906993>

| | |
|-----------------------|--------------|
| Standards/regulations | EN 61000-4-3 |
|-----------------------|--------------|

Electromagnetic HF field

| | |
|---------------------|-----------------------|
| Frequency range | 80 MHz ... 1 GHz |
| Test field strength | 20 V/m (Test Level 3) |
| Frequency range | 1 GHz ... 6 GHz |
| Test field strength | 10 V/m (Test Level 3) |
| Frequency range | 1 GHz ... 6 GHz |
| Test field strength | 10 V/m (Test Level 3) |
| Comments | Criterion A |

Fast transients (burst)

| | |
|-----------------------|--------------|
| Standards/regulations | EN 61000-4-4 |
|-----------------------|--------------|

Fast transients (burst)

| | |
|----------|------------------------------------|
| Input | 4 kV (Test Level 4 - asymmetrical) |
| Output | 4 kV (Test Level 4 - asymmetrical) |
| Signal | 4 kV (Test Level 4 - asymmetrical) |
| Comments | Criterion B |

Surge voltage load (surge)

| | |
|-----------------------|------------------------------------|
| Standards/regulations | EN 61000-4-5 |
| Input | 1 kV (Test Level 3 - symmetrical) |
| | 2 kV (Test Level 3 - asymmetrical) |
| Output | 1 kV (Test Level 3 - symmetrical) |
| | 2 kV (Test Level 3 - asymmetrical) |
| Signal | 1 kV (Test Level 2 - asymmetrical) |
| Comments | Criterion B |

Conducted interference

| | |
|-----------------------|--------------|
| Standards/regulations | EN 61000-4-6 |
|-----------------------|--------------|

Conducted interference

| | |
|-----------------|---------------------|
| I/O/S | asymmetrical |
| Frequency range | 0.15 MHz ... 80 MHz |
| Comments | Criterion A |
| Voltage | 10 V (Test Level 3) |

Power frequency magnetic field

| | |
|-----------------------|--------------|
| Standards/regulations | EN 61000-4-8 |
| Frequency | 16.67 Hz |
| | 50 Hz |
| | 60 Hz |
| Test field strength | 100 A/m |
| Additional text | 60 s |
| Comments | Criterion A |
| Frequency | 50 Hz |

Uninterruptible power supply - QUINT4-UPS/24DC/24DC/5/PN



2906993

<https://www.phoenixcontact.com/pc/products/2906993>

| | |
|---------------------|-----------------|
| | 60 Hz |
| Frequency range | 50 Hz ... 60 Hz |
| Test field strength | 1 kA/m |
| Additional text | 3 s |
| Frequency | 0 Hz |
| Test field strength | 300 A/m |
| Additional text | DC, 60 s |

Criteria

| | |
|-------------|--|
| Criterion A | Normal operating behavior within the specified limits. |
| Criterion B | Temporary impairment to operational behavior that is corrected by the device itself. |

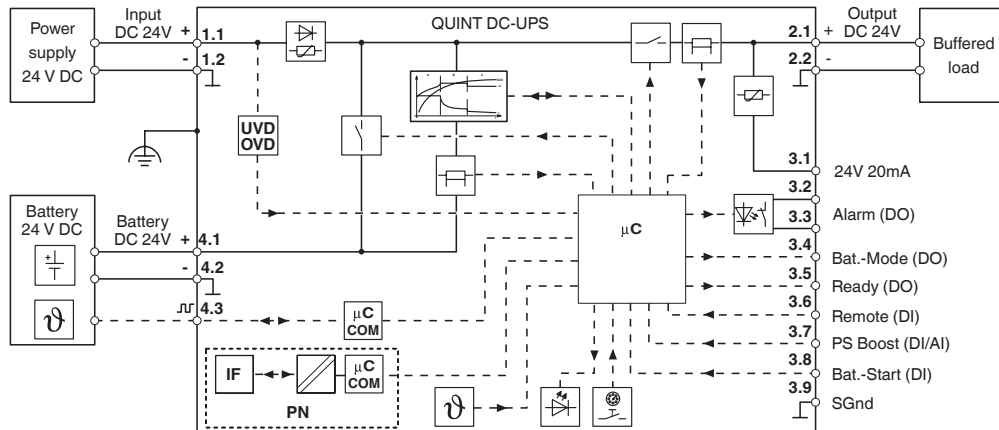
Uninterruptible power supply - QUINT4-UPS/24DC/24DC/5/PN

2906993

<https://www.phoenixcontact.com/pc/products/2906993>

Drawings

Block diagram



Uninterruptible power supply - QUINT4-UPS/24DC/24DC/5/PN



2906993

<https://www.phoenixcontact.com/pc/products/2906993>

Approvals



EAC

Approval ID: RU S-DE.BL08.W.00764



UL Listed

Approval ID: FILE E 123528



cUL Listed

Approval ID: FILE E 123528

PROFINET

Approval ID: Z12093



EAC

Approval ID: RU-DE.B.00184/20

DNV

Approval ID: TAA00002K4



cUL Listed

Approval ID: FILE E 199827



UL Listed

Approval ID: FILE E 199827

cULus Listed

cULus Listed

Uninterruptible power supply - QUINT4-UPS/24DC/24DC/5/PN



2906993

<https://www.phoenixcontact.com/pc/products/2906993>

Classifications

ECLASS

| | |
|---------------|----------|
| ECLASS-9.0 | 27040705 |
| ECLASS-10.0.1 | 27040705 |
| ECLASS-11.0 | 27040705 |

ETIM

| | |
|----------|----------|
| ETIM 8.0 | EC000382 |
|----------|----------|

UNSPSC

| | |
|-------------|----------|
| UNSPSC 21.0 | 39121000 |
|-------------|----------|

Uninterruptible power supply - QUINT4-UPS/24DC/24DC/5/PN



2906993

<https://www.phoenixcontact.com/pc/products/2906993>

Environmental Product Compliance

| | |
|------------|--|
| REACH SVHC | Lead 7439-92-1 |
| China RoHS | Environmentally Friendly Use Period = 25; |
| | For information on hazardous substances, refer to the manufacturer's declaration available under "Downloads" |

Uninterruptible power supply - QUINT4-UPS/24DC/24DC/5/PN



2906993

<https://www.phoenixcontact.com/pc/products/2906993>

Accessories

Energy storage

Energy storage - UPS-BAT/PB/24DC/1.2AH - 1274520

<https://www.phoenixcontact.com/pc/products/1274520>



Energy storage, VRLA-AGM, 24 V DC, 1.2 Ah, automatic detection and communication with QUINT UPS-IQ

Energy storage

Energy storage - UPS-BAT/PB/24DC/4AH - 1274117

<https://www.phoenixcontact.com/pc/products/1274117>



Energy storage, VRLA-AGM, 24 V DC, 4 Ah, automatic detection and communication with QUINT UPS-IQ

Uninterruptible power supply - QUINT4-UPS/24DC/24DC/5/PN

2906993

<https://www.phoenixcontact.com/pc/products/2906993>

Energy storage

Energy storage - UPS-BAT/PB/24DC/7AH - 1274118

<https://www.phoenixcontact.com/pc/products/1274118>



Energy storage, VRLA-AGM, 24 V DC, 7 Ah, automatic detection and communication with QUINT UPS-IQ

Energy storage

Energy storage - UPS-BAT/PB/24DC/12AH - 1274119

<https://www.phoenixcontact.com/pc/products/1274119>



Energy storage, VRLA-AGM, 24 V DC, 12 Ah, automatic detection and communication with QUINT UPS-IQ

Uninterruptible power supply - QUINT4-UPS/24DC/24DC/5/PN



2906993

<https://www.phoenixcontact.com/pc/products/2906993>

Energy storage

Energy storage - UPS-BAT/VRLA/24DC/20AH - 1109004

<https://www.phoenixcontact.com/pc/products/1109004>



Energy storage, lead AGM, VRLA technology, 24 V DC, 20 Ah, automatic detection and communication with QUINT UPS-IQ

Energy storage

Energy storage - UPS-BAT/VRLA/24DC/1.3AH - 2320296

<https://www.phoenixcontact.com/pc/products/2320296>



Energy storage device, lead AGM, VRLA technology, 24 V DC, 1.3 Ah, tool-free battery replacement, automatic detection, and communication with QUINT UPS-IQ

Uninterruptible power supply - QUINT4-UPS/24DC/24DC/5/PN

2906993

<https://www.phoenixcontact.com/pc/products/2906993>

Energy storage

Energy storage - UPS-BAT/VRLA/24DC/ 3.4AH - 2320306

<https://www.phoenixcontact.com/pc/products/2320306>



Energy storage device, lead AGM, VRLA technology, 24 V DC, 3.4 Ah, tool-free battery replacement, automatic detection, and communication with QUINT UPS-IQ

Energy storage

Energy storage - UPS-BAT/VRLA/24DC/7.2AH - 2320319

<https://www.phoenixcontact.com/pc/products/2320319>



Energy storage device, lead AGM, VRLA technology, 24 V DC, 7.2 Ah, tool-free battery replacement, automatic detection, and communication with QUINT UPS-IQ

Uninterruptible power supply - QUINT4-UPS/24DC/24DC/5/PN



2906993

<https://www.phoenixcontact.com/pc/products/2906993>

Energy storage

Energy storage - UPS-BAT/VRLA/24DC/12AH - 2320322

<https://www.phoenixcontact.com/pc/products/2320322>



Please use the following item in new systems: 1274119.

Energy storage device, lead AGM, VRLA technology, 24 V DC, 12 Ah, tool-free battery replacement, automatic detection, and communication with QUINT UPS-IQ

Energy storage

Energy storage - UPS-BAT/VRLA/24DC/38AH - 2320335

<https://www.phoenixcontact.com/pc/products/2320335>



Energy storage device, lead AGM, VRLA technology, 24 V DC, 38 Ah, automatic detection, and communication with QUINT UPS-IQ

Uninterruptible power supply - QUINT4-UPS/24DC/24DC/5/PN



2906993

<https://www.phoenixcontact.com/pc/products/2906993>

Energy storage

Energy storage - UPS-BAT/VRLA-WTR/24DC/13AH - 2320416

<https://www.phoenixcontact.com/pc/products/2320416>



Energy storage device, lead AGM, VRLA technology, 24 V DC, 13 Ah, tool-free battery replacement, automatic detection, and communication with QUINT UPS-IQ

Energy storage

Energy storage - UPS-BAT/VRLA-WTR/24DC/26AH - 2320429

<https://www.phoenixcontact.com/pc/products/2320429>



Energy storage device, lead AGM, VRLA technology, 24 V DC, 26 Ah, tool-free battery replacement, automatic detection, and communication with QUINT UPS-IQ

Uninterruptible power supply - QUINT4-UPS/24DC/24DC/5/PN

2906993

<https://www.phoenixcontact.com/pc/products/2906993>

Energy storage

Energy storage - UPS-BAT/LI-ION/24DC/120WH - 2320351

<https://www.phoenixcontact.com/pc/products/2320351>



Energy storage device, LI-ION technology, 24 V DC, 120 Wh, for ambient temperatures of -20°C ... 60°C, automatic detection and communication with QUINT UPS-IQ

Energy storage

Energy storage - UPS-BAT/LI-ION/24DC/924WH - 2908232

<https://www.phoenixcontact.com/pc/products/2908232>



Energy storage device, LI-ION technology, 24 V DC, 924 Wh, for ambient temperatures of -25 °C ... 60 °C, automatic detection and communication with QUINT UPS-IQ

Uninterruptible power supply - QUINT4-UPS/24DC/24DC/5/PN



2906993

<https://www.phoenixcontact.com/pc/products/2906993>

Energy storage

Energy storage - UPS-BAT/PB/24DC/20AH - 1348516

<https://www.phoenixcontact.com/pc/products/1348516>



Energy storage, VRLA-AGM, 24 V DC, 20 Ah, automatic detection and communication with QUINT UPS-IQ

Energy storage

Energy storage - UPS-BAT/PB/24DC/40AH - 1354641

<https://www.phoenixcontact.com/pc/products/1354641>



Energy storage, VRLA-AGM, 24 V DC, 40 Ah, automatic detection and communication with QUINT UPS-IQ

Phoenix Contact 2023 © - all rights reserved

<https://www.phoenixcontact.com>

PHOENIX CONTACT GmbH & Co. KG

Flachsmarktstraße 8

D-32825 Blomberg

+49 (0) 5235-3 00

info@phoenixcontact.com