

Uninterruptible power supply - UNO-UPS/24DC/24DC/60W



2905907

<https://www.phoenixcontact.com/pc/products/2905907>

Please be informed that the data shown in this PDF document is generated from our Online Catalog. Please find the complete data in the user documentation. Our General Terms of Use for Downloads are valid.



Uninterruptible energy supply with integrated energy storage, lead AGM, VRLA technology, 24 V DC, 0.8 Ah.

Product Description

UPS modules with integrated energy storage are particularly space saving: UPS module and energy storage are combined in one housing. It's just a case of connecting a power supply upstream.

Your advantages

- Compact and narrow

Commercial Data

Item number	2905907
Packing unit	1 pc
Minimum order quantity	1 pc
Product Key	CMUUV3
Catalog Page	Page 349 (C-4-2019)
GTIN	4055626007380
Weight per Piece (including packing)	1,185.6 g
Weight per Piece (excluding packing)	1,186 g
Customs tariff number	85371091
Country of origin	DE

Uninterruptible power supply - UNO-UPS/24DC/24DC/60W



2905907

<https://www.phoenixcontact.com/pc/products/2905907>

Technical Data

Product properties

Product type	Uninterruptible power supply
	UNO UPS
IQ technology	no
MTBF (IEC 61709, SN 29500)	> 1900000 h (40 °C)

Insulation characteristics

Protection class	III
Degree of pollution	2

Life expectancy (electrolytic capacitors)

Time	170312 h
------	----------

Input data

DC operation

Input voltage	24 V DC
Input voltage range	22.5 V DC ... 29.5 V DC
Voltage type of supply voltage	DC
Buffer period	45 min. (0.5 A) 20 min. (1 A) 8 min. (2 A) 5 min. (2.5 A)
Current consumption	2.8 A (max.) < 60 mA < 300 mA
Input fuse	5 A (electronic)

Output data

Efficiency	> 95 % (Mains operation, with charged energy storage) > 92 % (Battery operation)
Nominal output voltage	24 V DC
Nominal output current (I_N)	2.5 A
Bridging time	300 s
Output power	60 W
Power dissipation	3 W (Mains operation) 6 W (Battery operation) Battery operation
Connection in series	No

Mains operation

Nominal output voltage	24 V DC
Output voltage range	Input voltage - 0.5 V DC

Uninterruptible power supply - UNO-UPS/24DC/24DC/60W



2905907

<https://www.phoenixcontact.com/pc/products/2905907>

Nominal output current (I_N)	2.5 A
----------------------------------	-------

Battery operation

Nominal output voltage	24 V DC
Output voltage range	20 V DC ... 27.3 V DC
Nominal output current (I_N)	2.5 A

Signal: Alarm

Output description	Transistor (24 V DC/15 mA)
--------------------	----------------------------

Signal: Battery mode

Output description	Transistor (24 V DC/15 mA)
--------------------	----------------------------

Energy storage

Charging current	200 mA
Nominal capacity	2x 0.8 Ah
Charging time	approx. 5 h
Battery module service life	3 Years ... 5 Years (20 °C)
Latest startup date (battery only)	3 Months (0 °C ... 20 °C) 1 Months (30 °C ... 40 °C)
Latest startup (battery only) - range	3 Months ... 1 Months (20 °C ... 30 °C)
Battery technology	VRLA
Memory medium	Lead rechargeable battery module
Accumulator type	YUASA NP0.8-12 / YUCEL Y0.8-12
Battery presence check (cyclic)	60 s
Battery fuse	T 5 A 32 V
IQ technology	no

Connection data

Input

Connection method	Screw connection
Conductor cross section solid min.	0.2 mm ²
Conductor cross section solid max.	2.5 mm ²
Conductor cross section flexible min.	0.2 mm ²
Conductor cross section flexible max.	2.5 mm ²
Conductor cross section AWG min.	24
Conductor cross section AWG max.	14
Stripping length	7 mm
Screw thread	M3
Tightening torque, min	0.5 Nm
Tightening torque max	0.6 Nm

Output

Connection method	Screw connection
Conductor cross section solid min.	0.2 mm ²

Uninterruptible power supply - UNO-UPS/24DC/24DC/60W



2905907

<https://www.phoenixcontact.com/pc/products/2905907>

Conductor cross section solid max.	2.5 mm ²
Conductor cross section flexible min.	0.2 mm ²
Conductor cross section flexible max.	2.5 mm ²
Conductor cross section AWG min.	24
Conductor cross section AWG max.	14
Stripping length	7 mm
Screw thread	M3
Tightening torque, min	0.5 Nm
Tightening torque max	0.6 Nm

Signal

Connection method	Screw connection
Conductor cross section solid min.	0.2 mm ²
Conductor cross section solid max.	2.5 mm ²
Conductor cross section flexible min.	0.2 mm ²
Conductor cross section flexible max.	2.5 mm ²
Conductor cross section AWG min.	24
Conductor cross section AWG max.	14
Stripping length	7 mm
Screw thread	M3
Tightening torque, min	0.5 Nm
Tightening torque max	0.6 Nm

LED signaling

Types of signaling	LED
--------------------	-----

Signal output

Signalization designation	Power In OK
Status display	LED
Note on status display	Static to

Signal output: Switching output

Signalization designation	Alarm
Status display	LED
Note on status display	Static to

Signal output

Status display	LED
Note on status display	flashing

Signal output: Switching output

Signalization designation	Battery mode
Status display	LED
Note on status display	flashing

Signal output

Signalization designation	Service
---------------------------	---------

Uninterruptible power supply - UNO-UPS/24DC/24DC/60W



2905907

<https://www.phoenixcontact.com/pc/products/2905907>

Status display	LED
Note on status display	flashing

Dimensions

Width	110 mm
Height	90 mm
Depth	84 mm

Installation dimensions

Installation distance right/left	0 mm / 0 mm ($\leq 70\text{ °C}$)
Installation distance top/bottom	30 mm / 30 mm ($\leq 70\text{ °C}$)

Material specifications

Color	gray
Housing material	Plastic
Type of housing	Plastic
Foot latch material	POM (Polyoxymethylene)
Housing material	PC+ABS

Environmental and real-life conditions

Ambient conditions

Degree of protection	IP20
Ambient temperature (operation)	-15 °C ... 50 °C
Ambient temperature (storage/transport)	-20 °C ... 60 °C
Max. permissible relative humidity (operation)	$\leq 95\%$ (at 25 °C, non-condensing)
Shock	18 ms, 30g, in each space direction (according to IEC 60068-2-27)
Vibration (operation)	< 13.2 Hz, amplitude ± 1.0 mm (according to IEC 60068-2-6) 13.2 Hz ... 100 Hz, 0.7g

Approval data

UL approvals	UL Listed UL 508 UL/C-UL Recognized UL 60950-1
--------------	---

EMC data

Electromagnetic compatibility	Conformance with EMC Directive 2014/30/EU
EMC requirements for noise emission	EN 61000-6-3 EN 61000-6-4
EMC requirements for noise immunity	EN 61000-6-1 EN 61000-6-2
Noise immunity	EN 61000-6-2

Electrostatic discharge

Standards/regulations	EN 61000-4-2
-----------------------	--------------

Electrostatic discharge

Uninterruptible power supply - UNO-UPS/24DC/24DC/60W



2905907

<https://www.phoenixcontact.com/pc/products/2905907>

Contact discharge	6 kV (Test Level 3)
Discharge in air	8 kV (Test Level 3)
Comments	Criterion A

Electromagnetic HF field

Standards/regulations	EN 61000-4-3
-----------------------	--------------

Electromagnetic HF field

Frequency range	80 MHz ... 3 GHz
Test field strength	10 V/m (Test Level 3)
Comments	Criterion A

Fast transients (burst)

Standards/regulations	EN 61000-4-4
-----------------------	--------------

Fast transients (burst)

Input	2 kV (Test Level 3 - asymmetrical)
Output	2 kV (Test Level 3 - asymmetrical)
Signal	2 kV (Test Level 4 - asymmetrical)
Comments	Criterion A

Surge voltage load (surge)

Standards/regulations	EN 61000-4-5
Input	1 kV (Test Level 3 - symmetrical)
	2 kV (Test Level 3 - asymmetrical)
Output	1 kV (Test Level 3 - symmetrical)
	2 kV (Test Level 3 - asymmetrical)
Signal	1 kV (Test Level 2 - asymmetrical)
Comments	Criterion A

Conducted interference

Standards/regulations	EN 61000-4-6
-----------------------	--------------

Conducted interference

I/O/S	asymmetrical
Frequency range	0.15 MHz ... 80 MHz
Comments	Criterion A
Voltage	10 V (Test Level 3)

Emitted interference

Emitted radio interference in acc. with EN 55011	EN 55011 (EN 55022) Class B, area of application: Industry and residential
--	--

Criteria

Criterion A	Normal operating behavior within the specified limits.
Criterion B	Temporary impairment to operational behavior that is corrected by the device itself.

Standards and regulations

Uninterruptible power supply - UNO-UPS/24DC/24DC/60W



2905907

<https://www.phoenixcontact.com/pc/products/2905907>

Standard - Electrical safety	IEC 62368-1 (SELV)
------------------------------	--------------------

Mounting

Mounting type	DIN rail: 35 mm
Assembly instructions	alignable: 0 mm horizontally, 30 mm vertically
Mounting position	horizontal DIN rail NS 35, EN 60715

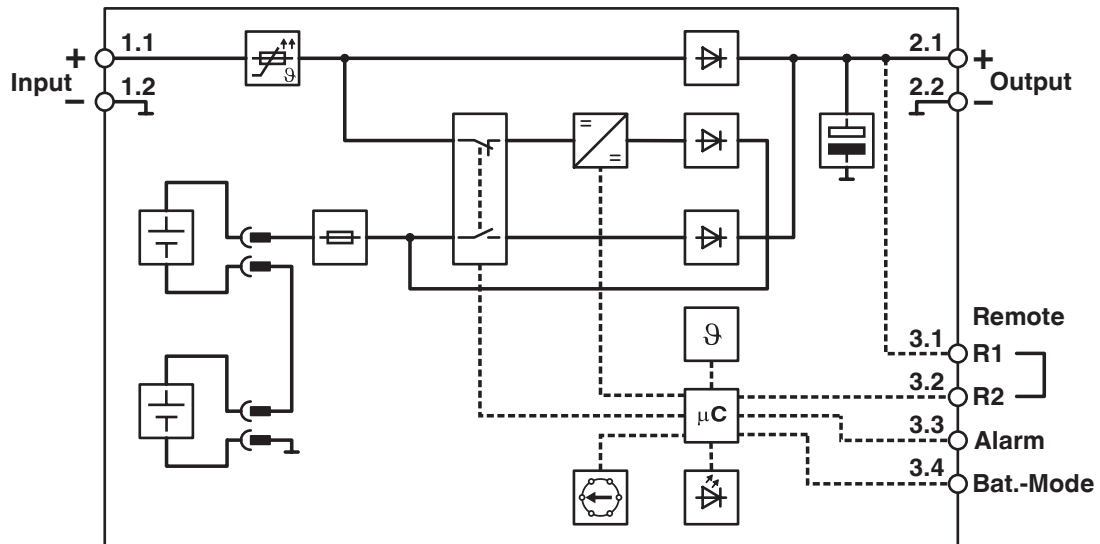
Uninterruptible power supply - UNO-UPS/24DC/24DC/60W

2905907

<https://www.phoenixcontact.com/pc/products/2905907>

Drawings

Block diagram



Uninterruptible power supply - UNO-UPS/24DC/24DC/60W



2905907

<https://www.phoenixcontact.com/pc/products/2905907>

Approvals



cUL Recognized
Approval ID: FILE E 214596



UL Recognized
Approval ID: FILE E 214596



IECEE CB Scheme
Approval ID: DK-47330-A1-UL



EAC
Approval ID: RU S-DE.BL08.W.00764



UL Listed
Approval ID: FILE E 123528



cUL Listed
Approval ID: FILE E 123528



EAC
Approval ID: RU-DE.B.00184/20



KC
Approval ID: R-R-PCK-2905907

cULus Recognized

cULus Listed

Uninterruptible power supply - UNO-UPS/24DC/24DC/60W



2905907

<https://www.phoenixcontact.com/pc/products/2905907>

Classifications

ECLASS

ECLASS-9.0	27040705
ECLASS-10.0.1	27040705
ECLASS-11.0	27040705

ETIM

ETIM 8.0	EC000382
----------	----------

UNSPSC

UNSPSC 21.0	39121000
-------------	----------

Uninterruptible power supply - UNO-UPS/24DC/24DC/60W



2905907

<https://www.phoenixcontact.com/pc/products/2905907>

Environmental Product Compliance

REACH SVHC	Lead 7439-92-1
China RoHS	Environmentally Friendly Use Period = 25;
	For information on hazardous substances, refer to the manufacturer's declaration available under "Downloads"

Uninterruptible power supply - UNO-UPS/24DC/24DC/60W



2905907

<https://www.phoenixcontact.com/pc/products/2905907>

Accessories

Power supply unit

Power supply unit - UNO-PS/1AC/24DC/ 60W - 2902992

<https://www.phoenixcontact.com/pc/products/2902992>



Primary-switched UNO POWER power supply for DIN rail mounting, input: 1-phase, output: 24 V DC/60 W

Power supply unit

Power supply unit - UNO-PS/1AC/24DC/100W - 2902993

<https://www.phoenixcontact.com/pc/products/2902993>



Primary-switched UNO POWER power supply for DIN rail mounting, input: 1-phase, output: 24 V DC/100 W

Uninterruptible power supply - UNO- UPS/24DC/24DC/60W



2905907

<https://www.phoenixcontact.com/pc/products/2905907>

Fuse

Fuse - FUSE 5A/32V FK-1 - 2908367

<https://www.phoenixcontact.com/pc/products/2908367>



Fuse, nominal current: 5 A, length: 11.9 mm, width: 3.8 mm, height: 16.2 mm

Phoenix Contact 2023 © - all rights reserved

<https://www.phoenixcontact.com>

PHOENIX CONTACT GmbH & Co. KG

Flachsmarktstraße 8

D-32825 Blomberg

+49 (0) 5235-3 00

info@phoenixcontact.com