

Uninterruptible power supply - QUINT4-UPS/1AC/1AC/1KVA



2320283

<https://www.phoenixcontact.com/pc/products/2320283>

Please be informed that the data shown in this PDF document is generated from our Online Catalog. Please find the complete data in the user documentation. Our General Terms of Use for Downloads are valid.



Uninterruptible power supply with IQ technology for DIN rail mounting. Input: 120/230 V AC, output: 120/230 V AC/1 kVA. Provides information regarding the state of charge, remaining runtime, and service life of the rechargeable battery module at any time, thereby increasing system availability.

Product Description

Supply AC loads reliably with the uninterruptible power supply from the QUINT range for DIN rails. Due to the online topology, the AC UPS delivers a pure sine curve in mains and battery operation. Combine the online UPS with various UPS-BAT energy storage devices. The USB interface makes it convenient to shut down your PC.

Your advantages

- Smooth transition due to online topology
- Pure sine curve in mains and battery operation
- USB interface for connecting to industrial PCs, for example
- Startup from energy storage possible, even without mains input
- Can be switched in parallel for redundancy and increased performance

Commercial Data

Item number	2320283
Packing unit	1 pc
Minimum order quantity	1 pc
Product Key	CMUI15
Catalog Page	Page 331 (C-4-2019)
GTIN	4055626244563
Weight per Piece (including packing)	5,630 g
Weight per Piece (excluding packing)	5,151 g
Customs tariff number	85371091
Country of origin	DE

Uninterruptible power supply - QUINT4-UPS/1AC/1AC/1KVA



2320283

<https://www.phoenixcontact.com/pc/products/2320283>

Technical Data

Input data

AC operation

Input voltage	100 V AC -10 % / +20 %
	110 V AC -10 % / +20 %
	120 V AC -10 % / +20 %
	130 V AC -10 % / +20 %
	200 V AC -20 % / +20 %
	210 V AC -20 % / +20 %
	220 V AC -20 % / +20 %
	230 V AC -20 % / +15 %
	240 V AC -20 % / +10 %
Input voltage range	90 V AC ... 264 V AC
Input voltage range AC	184 V AC ... 264 V AC
	96 V AC ... 144 V AC
Typical national grid voltage	120 V AC
	230 V AC
Voltage type of supply voltage	AC
AC frequency range	45 Hz ... 65 Hz
Buffer period	1 h (38 AH)
Current consumption	10.4 A (100 V AC)
	10.5 A (110 V AC)
	10.5 A (120 V AC)
	9.7 A (130 V AC)
	6.4 A (200 V AC)
	6 A (210 V AC)
	5.7 A (220 V AC)
	5.5 A (230 V AC)
5.3 A (240 V AC)	
Variable connect threshold	Can be configured using UPS-CONF software
Power factor (cos phi)	0.9
Bypass fuse	T 15 A / 250 V (MDA -15-R)
Permissible backup fuse	B16 230 V AC
Permissible backup fuse	20 A (120 V AC, Listed breaker)

Digital Control (configurable)

Designation	Remote
Low signal	Connection to SGnd with < 2.7 kΩ
High signal	Open (> 35 kΩ between Remote and SGnd)

Digital Control Low-Active (configurable)

Battery-operated start 120 V AC low signal	Connection to SGnd with < 2.7 kΩ
--	----------------------------------

Uninterruptible power supply - QUINT4-UPS/1AC/1AC/1KVA



2320283

<https://www.phoenixcontact.com/pc/products/2320283>

Battery-operated start 120 V AC high signal	Open (> 200 kΩ between Bat.-Start and SGnd)
---	---

Output data

Classification according to IEC 62040-3	VFI-SS-111
Efficiency	> 92 % (120 V AC)
	> 94 % (230 V AC)
Nominal output voltage	100 V AC
	110 V AC
	120 V AC
	130 V AC
	200 V AC
	210 V AC
	220 V AC
	230 V AC
	240 V AC
Form of output voltage	Pure sine
Nominal output current (I_N)	7.8 A (100 V AC)
	8.1 A (110 V AC)
	8.3 A (120 V AC)
	7.7 A (130 V AC)
	5 A (200 V AC)
	4.8 A (210 V AC)
	4.5 A (220 V AC)
	4.3 A (230 V AC)
	4.2 A (240 V AC)
POWER BOOST (I_{Boost})	13 A (120 V AC)
	7 A (230 V AC)
Output power	778 VA (700 W)
	889 VA (800 W)
	1000 VA (900 W)
	1000 VA (900 W)
	1000 VA (900 W)
	1000 VA (900 W)
	1000 VA (900 W)
	1000 VA (900 W)
	1000 VA (900 W)
Apparent power	1 kVA ($U_N \square 120$ V AC)
Nominal power	900 W ($U_N \square 120$ V AC)
Maximum no-load power dissipation	typ. 17 W (120 V AC)
	typ. 25 W (230 V AC)
Power loss nominal load max.	typ. 79 W (120 V AC)
	typ. 55 W (230 V AC)
Crest factor	2.8
Switch-over time	0 ms

Uninterruptible power supply - QUINT4-UPS/1AC/1AC/1KVA



2320283

<https://www.phoenixcontact.com/pc/products/2320283>

Connection in parallel	yes, 2
Connection in series	No

Mains operation

Nominal output voltage	120 V AC $\pm 2\%$
	230 V AC $\pm 2\%$
Nominal output current (I_N)	8.3 A
	4.3 A (230 V AC)
POWER BOOST (I_{Boost})	13 A
	7 A

Battery operation

Nominal output voltage	120 V AC $\pm 2\%$
	230 V AC $\pm 2\%$
Nominal output current (I_N)	4.3 A (230 V AC)
	8.3 A (120 V AC)
POWER BOOST (I_{Boost})	7 A (230 V AC)
	13 A (120 V AC)
Nominal output frequency	± 60 Hz $\pm 0.5\%$ (At an input frequency of 55 Hz to < 65 Hz)
	± 50 Hz $\pm 0.5\%$ (At an input frequency of 45 Hz to < 55 Hz)

Signal: AC OK

Output voltage	24 V
Continuous load current	≤ 20 mA

Signal: Alarm

Output voltage	24 V
Continuous load current	≤ 20 mA

Signal: Battery mode

Output voltage	24 V
Continuous load current	≤ 20 mA

Signal: Ready

Output voltage	24 V
Continuous load current	≤ 20 mA

Signal: $P > P_n$

Output voltage	24 V (SELV)
Continuous load current	≤ 20 mA

Energy storage

Nominal voltage U_N	2x 24 V DC
End-of-charge voltage	58 V (temperature compensated)
Charging current	5 A
Nominal capacity range	3.4 Ah ... 190 Ah (5x 38 Ah)
Battery technology	VRLA, VRLA-WTR, LI-ION

Uninterruptible power supply - QUINT4-UPS/1AC/1AC/1KVA



2320283

<https://www.phoenixcontact.com/pc/products/2320283>

Charge characteristic curve	IU ₀ U
Permissible backup fuse	50 A / □ 58 V

Connection data

Input

Connection method	Screw connection
Conductor cross section solid min.	0.2 mm ²
Conductor cross section solid max.	6 mm ²
Conductor cross section flexible min.	0.2 mm ²
Conductor cross section flexible max.	4 mm ²
Single conductor/flexible terminal point with ferrule with plastic sleeve, min.	0.25 mm ²
Single conductor/flexible terminal point with ferrule with plastic sleeve, max.	4 mm ²
Single conductor/flexible terminal point with ferrule without plastic sleeve, min.	0.25 mm ²
Single conductor/flexible terminal point with ferrule without plastic sleeve, max.	4 mm ²
Conductor cross section AWG min.	30
Conductor cross section AWG max.	10
Stripping length	8 mm
Tightening torque, min	0.5 Nm
Tightening torque max	0.6 Nm

Output

Connection method	Screw connection
Conductor cross section solid min.	0.2 mm ²
Conductor cross section solid max.	6 mm ²
Conductor cross section flexible min.	0.2 mm ²
Conductor cross section flexible max.	4 mm ²
Single conductor/flexible terminal point with ferrule with plastic sleeve, min.	0.25 mm ²
Single conductor/flexible terminal point with ferrule with plastic sleeve, max.	4 mm ²
Single conductor/flexible terminal point with ferrule without plastic sleeve, min.	0.25 mm ²
Single conductor/flexible terminal point with ferrule without plastic sleeve, max.	4 mm ²
Conductor cross section AWG min.	30
Conductor cross section AWG max.	10
Stripping length	8 mm
Tightening torque, min	0.5 Nm
Tightening torque max	0.6 Nm

Signal

Connection method	Screw connection
Conductor cross section solid min.	0.2 mm ²

Uninterruptible power supply - QUINT4-UPS/1AC/1AC/1KVA



2320283

<https://www.phoenixcontact.com/pc/products/2320283>

Conductor cross section solid max.	2.5 mm ²
Conductor cross section flexible min.	0.2 mm ²
Conductor cross section flexible max.	2.5 mm ²
Single conductor/flexible terminal point with ferrule with plastic sleeve, min.	0.2 mm ²
Single conductor/flexible terminal point with ferrule with plastic sleeve, max.	2.5 mm ²
Single conductor/flexible terminal point with ferrule without plastic sleeve, min.	0.2 mm ²
Single conductor/flexible terminal point with ferrule without plastic sleeve, max.	2.5 mm ²
Conductor cross section AWG min.	30
Conductor cross section AWG max.	12
Stripping length	8 mm
Tightening torque, min	0.5 Nm
Tightening torque max	0.6 Nm

Interfaces

Interface	MINI-USB type B
Features	lockable
Maximum cable length	3 m

LED signaling

Types of signaling	LED
	Active switching output

Signal output: Transistor output, active

Signalization designation	AC OK
Status display	LED
Color	green

Signal output: Transistor output, active

Signalization designation	Alarm
Status display	LED
Color	red

Signal output: Transistor output, active

Signalization designation	Battery mode
Status display	LED
Color	yellow

Signal output: Transistor output, active

Signalization designation	Ready
---------------------------	-------

Signal output: Transistor output, active

Signalization designation	$P > P_n$
Status display	LED
Color	green

Uninterruptible power supply - QUINT4-UPS/1AC/1AC/1KVA



2320283

<https://www.phoenixcontact.com/pc/products/2320283>

Signal output

Signalization designation	Reference potential for the signal inputs and outputs
---------------------------	---

Electrical properties

Number of phases	1.00
------------------	------

Product properties

Product type	Uninterruptible power supply, AC
	QUINT USV
MTBF (IEC 61709, SN 29500)	217546 h (230 V AC, at 40 °C)

Insulation characteristics

Protection class	I
Overvoltage category	II

Life expectancy (electrolytic capacitors)

Time	68970 h
------	---------

Dimensions

Width	290 mm
Height	130 mm
Depth	125 mm

Installation dimensions

Installation distance right/left	5 mm / 5 mm
Installation distance top/bottom	50 mm / 50 mm

Mounting

Mounting type	DIN rail mounting
---------------	-------------------

Material specifications

Housing material	Metal
Hood version	Sheet steel, DIN EN ISO2081 coat - Fe/Zn 18/B/TopCoat transparent blue
Side element version	Aluminum plate, DIN EN 573-3

Environmental and real-life conditions

Ambient conditions

Degree of protection	IP20
Ambient temperature (operation)	-25 °C ... 60 °C (> 50 °C: 2,5 % / K)
Ambient temperature (storage/transport)	-40 °C ... 85 °C
Maximum altitude	≤ 3000 m (> 2000 m: 0,6 % / 100 m)
Climatic class	3K3 (EN 60721)
Max. permissible relative humidity (operation)	≤ 95 %
Shock	15g in all directions (EN 60068-2-27)

Uninterruptible power supply - QUINT4-UPS/1AC/1AC/1KVA



2320283

<https://www.phoenixcontact.com/pc/products/2320283>

Vibration (operation)	5 Hz ... 100 Hz, 0.7g (EN 60068-2-6)
-----------------------	--------------------------------------

Standards and regulations

Uninterruptible power supply systems

Standards/specifications	EN 62040-1
--------------------------	------------

Approval data

UL

Identification	UL/C-UL Recognized UL 1778
----------------	----------------------------

EMC data

Low Voltage Directive	Conformance with Low Voltage Directive 2014/35/EC
Electromagnetic compatibility	Conformance with EMC Directive 2014/30/EU
Conducted noise emission	EN 62040-02 (Class C2)
Interference emission	Noise emission in accordance with EN 62040-2
Noise immunity	Immunity in accordance with EN 61000-6-1 (residential), EN 61000-6-2 (industrial) Immunity in accordance with EN 62040-2

Electrostatic discharge

Standards/regulations	EN 61000-4-2
-----------------------	--------------

Electrostatic discharge

Contact discharge	± 6 kV
Discharge in air	± 8 kV
Comments	Criterion A

Electromagnetic HF field

Standards/regulations	EN 61000-4-3
-----------------------	--------------

Electromagnetic HF field

Frequency range	80 MHz ... 6 GHz
Test field strength	10 V/m
Comments	Criterion A

Fast transients (burst)

Standards/regulations	EN 61000-4-4
-----------------------	--------------

Fast transients (burst)

Input	± 2 kV
	± 2 kV
Output	± 2 kV
Signal	± 2 kV
	± 2 kV (USB)
Comments	Criterion A (B for USB)

Surge voltage load (surge)

Uninterruptible power supply - QUINT4-UPS/1AC/1AC/1KVA



2320283

<https://www.phoenixcontact.com/pc/products/2320283>

Standards/regulations	EN 61000-4-5
Signal	1 kV (asymmetrical)
Comments	Criterion A
Input/Output	± 1 kV (symmetrical) ± 2 kV (asymmetrical)

Conducted interference

Standards/regulations	EN 61000-4-6
-----------------------	--------------

Conducted interference

Frequency range	0.15 MHz ... 80 MHz
Comments	Criterion A
Voltage	10 V

Power frequency magnetic field

Standards/regulations	EN 61000-4-8
Frequency	50 Hz 60 Hz
Test field strength	100 A/m
Comments	Criterion A

Criteria

Criterion A	Normal operating behavior within the specified limits.
Criterion B	Temporary impairment to operational behavior that is corrected by the device itself.

Uninterruptible power supply - QUINT4-UPS/1AC/1AC/1KVA

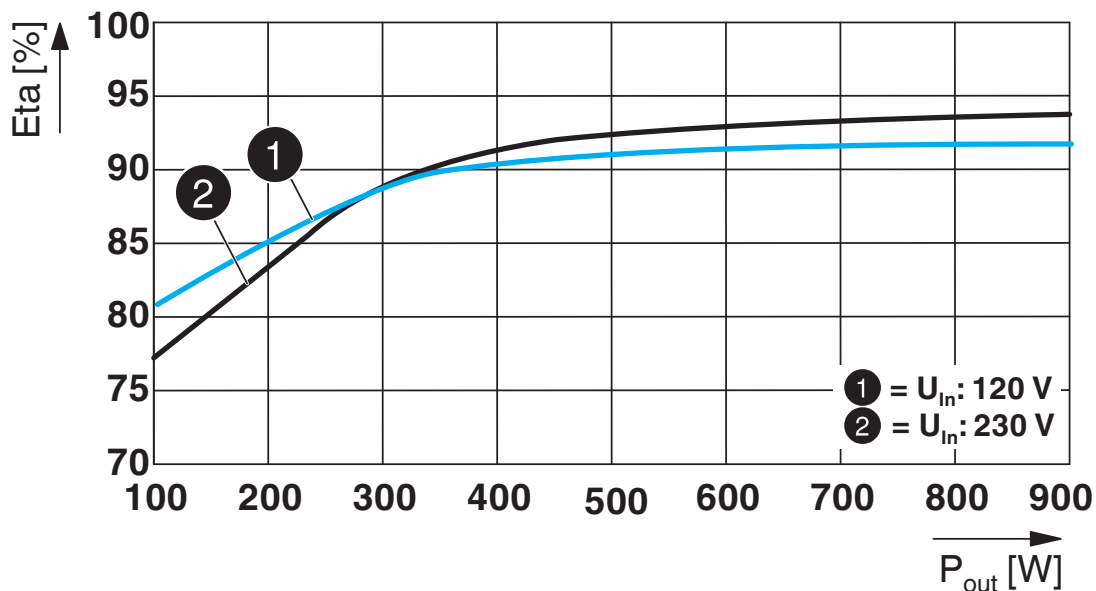


2320283

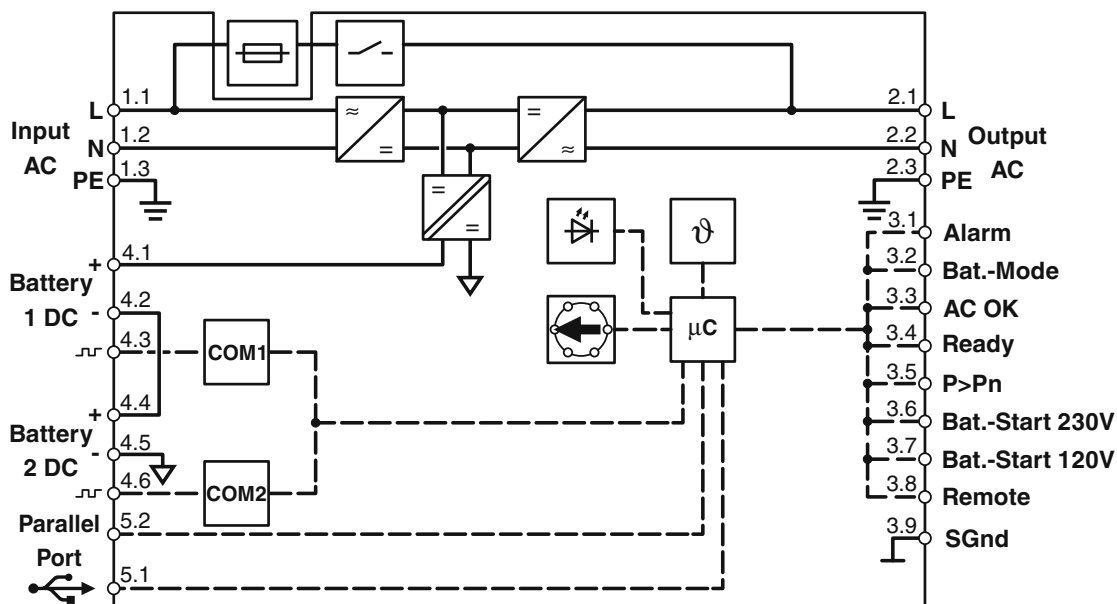
<https://www.phoenixcontact.com/pc/products/2320283>

Drawings

Diagram



Block diagram



Uninterruptible power supply - QUINT4-UPS/1AC/1AC/1KVA



2320283

<https://www.phoenixcontact.com/pc/products/2320283>

Approvals



cUL Recognized
Approval ID: FILE E 342453



UL Recognized
Approval ID: FILE E 342453



IECEE CB Scheme
Approval ID: DK-70737-UL



EAC
Approval ID: RU S-DE.BL08.W.00764



EAC
Approval ID: RU S-DE.BL08.W.00764

DNV

Approval ID: TAA00002JM



UL Recognized
Approval ID: FILE E 342453



IECEE CB Scheme
Approval ID: DK-70737-UL



cUL Recognized
Approval ID: FILE E 342453



EAC
Approval ID: RU-DE.B.00184/20



EAC
Approval ID: RU-DE.B.00184/20

DNV

Approval ID: TAA00002JM

Uninterruptible power supply - QUINT4-UPS/1AC/1AC/1KVA



2320283

<https://www.phoenixcontact.com/pc/products/2320283>



cUL Recognized
Approval ID: FILE E 359066



UL Recognized
Approval ID: FILE E 359066



cUL Recognized
Approval ID: FILE E 359066



UL Recognized
Approval ID: FILE E 359066

Uninterruptible power supply - QUINT4-UPS/1AC/1AC/1KVA



2320283

<https://www.phoenixcontact.com/pc/products/2320283>

Classifications

ECLASS

ECLASS-9.0	27040705
ECLASS-10.0.1	27040705
ECLASS-11.0	27040705

ETIM

ETIM 8.0	EC000382
----------	----------

UNSPSC

UNSPSC 21.0	39121000
-------------	----------

Uninterruptible power supply - QUINT4-UPS/1AC/1AC/1KVA



2320283

<https://www.phoenixcontact.com/pc/products/2320283>

Environmental Product Compliance

China RoHS	Environmentally friendly use period: unlimited = EFUP-e
	No hazardous substances above threshold values

Uninterruptible power supply - QUINT4-UPS/1AC/1AC/1KVA



2320283

<https://www.phoenixcontact.com/pc/products/2320283>

Accessories

Data cable

Data cable - MINI-SCREW-USB-DATACABLE - 2908217

<https://www.phoenixcontact.com/pc/products/2908217>



Used for communication between an industrial PC and Phoenix Contact devices with USB-Mini-B connection.

Fuse

Fuse - FUSE 25A/58V TAC ATO - 1021340

<https://www.phoenixcontact.com/pc/products/1021340>



Fuse, nominal current: 25 A,

Uninterruptible power supply - QUINT4-UPS/1AC/1AC/1KVA

2320283

<https://www.phoenixcontact.com/pc/products/2320283>

Mounting adapter

Mounting adapter - UWA 130 - 2901664

<https://www.phoenixcontact.com/pc/products/2901664>

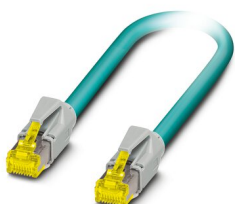


2-piece universal wall adapter for securely mounting the device in the event of strong vibrations. The profiles that are screwed onto the side of the device are screwed directly onto the mounting surface. The universal wall adapter is attached on the left/right.

Patch cable

Patch cable - VS-IP20/10G-IP20/10G-94F/1 - 1418866

<https://www.phoenixcontact.com/pc/products/1418866>



Patch cable, CAT6_A, 4-pair, shielded, connection not crossed (Line), assembled at both ends with RJ45/IP20 connectors; outer sheath material: PUR; length: 1.0 m

Uninterruptible power supply - QUINT4-UPS/1AC/1AC/1KVA

2320283

<https://www.phoenixcontact.com/pc/products/2320283>

Energy storage

Energy storage - UPS-BAT/VRLA/24DC/ 3.4AH - 2320306

<https://www.phoenixcontact.com/pc/products/2320306>



Energy storage device, lead AGM, VRLA technology, 24 V DC, 3.4 Ah, tool-free battery replacement, automatic detection, and communication with QUINT UPS-IQ

Energy storage

Energy storage - UPS-BAT/VRLA/24DC/7.2AH - 2320319

<https://www.phoenixcontact.com/pc/products/2320319>



Energy storage device, lead AGM, VRLA technology, 24 V DC, 7.2 Ah, tool-free battery replacement, automatic detection, and communication with QUINT UPS-IQ

Uninterruptible power supply - QUINT4-UPS/1AC/1AC/1KVA



2320283

<https://www.phoenixcontact.com/pc/products/2320283>

Energy storage

Energy storage - UPS-BAT/VRLA/24DC/12AH - 2320322

<https://www.phoenixcontact.com/pc/products/2320322>



Please use the following item in new systems: 1274119.

Energy storage device, lead AGM, VRLA technology, 24 V DC, 12 Ah, tool-free battery replacement, automatic detection, and communication with QUINT UPS-IQ

Energy storage

Energy storage - UPS-BAT/VRLA/24DC/20AH - 1109004

<https://www.phoenixcontact.com/pc/products/1109004>



Energy storage, lead AGM, VRLA technology, 24 V DC, 20 Ah, automatic detection and communication with QUINT UPS-IQ

Uninterruptible power supply - QUINT4-UPS/1AC/1AC/1KVA



2320283

<https://www.phoenixcontact.com/pc/products/2320283>

Energy storage

Energy storage - UPS-BAT/VRLA/24DC/38AH - 2320335

<https://www.phoenixcontact.com/pc/products/2320335>



Energy storage device, lead AGM, VRLA technology, 24 V DC, 38 Ah, automatic detection, and communication with QUINT UPS-IQ

Energy storage

Energy storage - UPS-BAT/VRLA-WTR/24DC/13AH - 2320416

<https://www.phoenixcontact.com/pc/products/2320416>



Energy storage device, lead AGM, VRLA technology, 24 V DC, 13 Ah, tool-free battery replacement, automatic detection, and communication with QUINT UPS-IQ

Uninterruptible power supply - QUINT4-UPS/1AC/1AC/1KVA

2320283

<https://www.phoenixcontact.com/pc/products/2320283>

Energy storage

Energy storage - UPS-BAT/VRLA-WTR/24DC/26AH - 2320429

<https://www.phoenixcontact.com/pc/products/2320429>



Energy storage device, lead AGM, VRLA technology, 24 V DC, 26 Ah, tool-free battery replacement, automatic detection, and communication with QUINT UPS-IQ

Energy storage

Energy storage - UPS-BAT/LI-ION/24DC/120WH - 2320351

<https://www.phoenixcontact.com/pc/products/2320351>



Energy storage device, LI-ION technology, 24 V DC, 120 Wh, for ambient temperatures of -20°C ... 60°C, automatic detection and communication with QUINT UPS-IQ

Uninterruptible power supply - QUINT4-UPS/1AC/1AC/1KVA



2320283

<https://www.phoenixcontact.com/pc/products/2320283>

Energy storage

Energy storage - UPS-BAT/LI-ION/24DC/924WH - 2908232

<https://www.phoenixcontact.com/pc/products/2908232>



Energy storage device, LI-ION technology, 24 V DC, 924 Wh, for ambient temperatures of -25 °C ... 60 °C, automatic detection and communication with QUINT UPS-IQ

Type 3 surge protection device

Type 3 surge protection device - PLT-SEC-T3-120-FM-UT - 2907918

<https://www.phoenixcontact.com/pc/products/2907918>



Type 2/3 surge protection, consisting of protective plug and base element, with integrated status indicator and remote signaling for single-phase power supply networks. Nominal voltage: 120 V AC/DC

Uninterruptible power supply - QUINT4-UPS/1AC/1AC/1KVA



2320283

<https://www.phoenixcontact.com/pc/products/2320283>

Type 3 surge protection device

Type 3 surge protection device - PLT-SEC-T3-230-FM-UT - 2907919

<https://www.phoenixcontact.com/pc/products/2907919>



Type 2/3 surge protection, consisting of protective plug and base element with screw connection. For single-phase power supply network with integrated status indicator and remote signaling. Nominal voltage: 230 V AC/DC

Energy storage

Energy storage - UPS-BAT/PB/24DC/20AH - 1348516

<https://www.phoenixcontact.com/pc/products/1348516>



Energy storage, VRLA-AGM, 24 V DC, 20 Ah, automatic detection and communication with QUINT UPS-IQ

Phoenix Contact 2023 © - all rights reserved

<https://www.phoenixcontact.com>

PHOENIX CONTACT GmbH & Co. KG

Flachsmarktstraße 8

D-32825 Blomberg

+49 (0) 5235-3 00

info@phoenixcontact.com