

**DRM570524LT****Weidmüller Interface GmbH & Co. KG**

Klingenbergstraße 26

D-32758 Detmold

Germany

www.weidmueller.com

**Product image**

Similar to illustration

Individual relays within the D-SERIES DRM

- 4 CO contacts
- AC coils
- With integrated status LED and test button

**General ordering data**

|            |                                                                                                                                                             |
|------------|-------------------------------------------------------------------------------------------------------------------------------------------------------------|
| Version    | D-SERIES DRM, Relay, Number of contacts: 4, CO contact, AgNi flash gold-plated, Rated control voltage: 24 V AC, Continuous current: 5 A, Plug-in connection |
| Order No.  | <a href="#">7760056101</a>                                                                                                                                  |
| Type       | DRM570524LT                                                                                                                                                 |
| GTIN (EAN) | 4032248855636                                                                                                                                               |
| Qty.       | 20 pc(s).                                                                                                                                                   |

Creation date February 27, 2023 10:56:21 AM CET

Catalogue status 18.02.2023 / We reserve the right to make technical changes.

## DRM570524LT

Weidmüller Interface GmbH &amp; Co. KG

Klingenbergstraße 26

D-32758 Detmold

Germany

www.weidmueller.com

## Technical data

## Dimensions and weights

|            |         |                 |            |
|------------|---------|-----------------|------------|
| Depth      | 35.7 mm | Depth (inches)  | 1.406 inch |
| Height     | 27.4 mm | Height (inches) | 1.079 inch |
| Width      | 21 mm   | Width (inches)  | 0.827 inch |
| Net weight | 35.3 g  |                 |            |

## Temperatures

|                             |                                          |                             |                |
|-----------------------------|------------------------------------------|-----------------------------|----------------|
| Storage temperature         | -40 °C...70 °C                           | Operating temperature       | -40 °C...55 °C |
| Operating temperature, min. | -40 °C                                   | Operating temperature, max. | 55 °C          |
| Humidity                    | 35...85 % rel. humidity, no condensation |                             |                |

## Rated data UL

|                         |         |
|-------------------------|---------|
| Certificate No. (cURus) | E312083 |
|-------------------------|---------|

## Control side

|                       |                    |                                |                                  |
|-----------------------|--------------------|--------------------------------|----------------------------------|
| Rated control voltage | 24 V AC            | Rated current AC               | 62.4 mA (50 Hz), 52.2 mA (60 Hz) |
| Power rating          | 1.0...1.2VA (60HZ) | Pull-in/drop-out voltage, typ. | 19.2 V / 7.2 V AC                |
| Coil resistance       | 160 Ω ± 10 %       | Coil tolerance                 | 10 %                             |
| Status indicator      | red LED            |                                |                                  |

## Load side

|                                         |                                       |                                         |                                       |
|-----------------------------------------|---------------------------------------|-----------------------------------------|---------------------------------------|
| Rated switching voltage                 | 250 V AC                              | Continuous current                      | 5 A                                   |
| Max. switching frequency at rated load  | 0.1 Hz                                | Inrush current                          | 10 A / 50 ms                          |
| AC switching capacity (resistive), max. | 1250 VA                               | DC switching capacity (resistive), max. | 120 W @ 24 V                          |
| Switch-on delay                         | < 20 ms                               | Switch-off delay                        | < 20 ms                               |
| Contact type                            | 4 CO contact (AgNi flash gold-plated) | Mechanical service life                 | 20 x 10 <sup>6</sup> switching cycles |
| Min. switching power                    | 10 mA @ 12 V, 100 mA @ 5 V            |                                         |                                       |

## General data

|                                      |                                             |                        |
|--------------------------------------|---------------------------------------------|------------------------|
| Test button available                | Yes                                         |                        |
| Version of test button               | Lockable test button, Momentary test button |                        |
| Mechanical switch position indicator | Yes                                         |                        |
| Colour                               | Transparent                                 |                        |
| UL94 flammability rating component   | Component                                   | Relay cover            |
|                                      | UL94 flammability rating                    | V-2                    |
|                                      | Component                                   | Relay baseplate        |
|                                      | UL94 flammability rating                    | V-0                    |
|                                      | Component                                   | Relay status indicator |
|                                      | UL94 flammability rating                    | HB                     |
| Component                            | Relay test button                           |                        |
|                                      | UL94 flammability rating                    | HB                     |

## DRM570524LT

Weidmüller Interface GmbH &amp; Co. KG

Klingenbergstraße 26

D-32758 Detmold

Germany

www.weidmueller.com

## Technical data

## Insulation coordination

|                                                  |                                |                                                               |                             |
|--------------------------------------------------|--------------------------------|---------------------------------------------------------------|-----------------------------|
| Rated voltage                                    | 250 V                          | Pollution severity                                            | 2                           |
| Surge voltage category                           | III                            | Clearance and creepage distances for control side - load side | ≥ 5.5 mm                    |
| Dielectric strength for control side - load side | 1.8 kV <sub>eff</sub> / 1 min. | Dielectric strength of neighbouring contacts                  | 1 kV <sub>eff</sub> / 1 min |
| Dielectric strength of open contact              | 1 kV <sub>eff</sub> / 1 min    | Impulse withstand voltage                                     | 6 kV (1.2/50 μs)            |
| Protection degree                                | IP20                           |                                                               |                             |

## Further details of approvals / standards

Certificate No. (cURus) E312083

## Connection data

Wire connection method Plug-in connection

## Classifications

|             |             |             |             |
|-------------|-------------|-------------|-------------|
| ETIM 6.0    | EC001437    | ETIM 7.0    | EC001437    |
| ETIM 8.0    | EC001437    | ECLASS 9.0  | 27-37-16-01 |
| ECLASS 9.1  | 27-37-16-01 | ECLASS 10.0 | 27-37-16-01 |
| ECLASS 11.0 | 27-37-16-01 | ECLASS 12.0 | 27-37-16-01 |

## Environmental Product Compliance

REACH SVHC Lead 7439-92-1

## Approvals

Approvals



|                         |            |
|-------------------------|------------|
| ROHS                    | Conform    |
| UL File Number Search   | UL Website |
| Certificate No. (cURus) | E312083    |

## Downloads

|                                             |                                                                                                                                          |
|---------------------------------------------|------------------------------------------------------------------------------------------------------------------------------------------|
| Approval/Certificate/Document of Conformity | <a href="#">EU Konformitätserklärung / EU Declaration of Conformity</a>                                                                  |
| Engineering Data                            | <a href="#">CAD data – STEP</a>                                                                                                          |
| Engineering Data                            | <a href="#">WSCAD</a>                                                                                                                    |
| Product Change Notification                 | <a href="#">20230124 Product consolidation D-SERIES DRM relays</a><br><a href="#">20230124 Produktkonsolidierung D-SERIES DRM Relais</a> |
| Catalogues                                  | <a href="#">Catalogues in PDF-format</a>                                                                                                 |
| Brochures                                   |                                                                                                                                          |

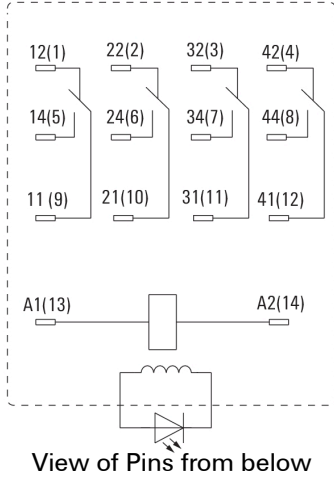
**DRM570524LT**

**Weidmüller Interface GmbH & Co. KG**  
 Klingenbergstraße 26  
 D-32758 Detmold  
 Germany

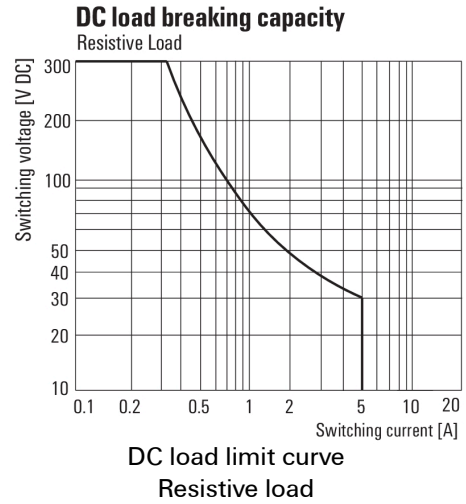
www.weidmueller.com

**Drawings**

**Wiring diagram**



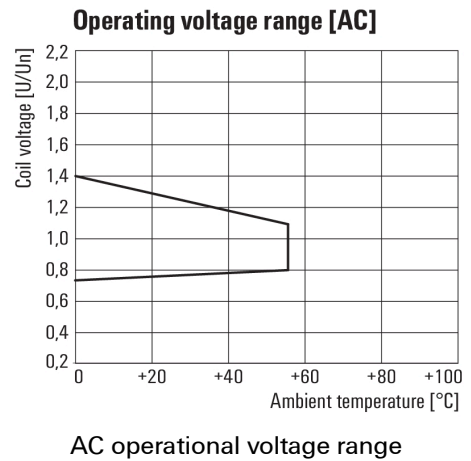
**Graph**



**Graph**



**Graph**



**Dimensional drawing**



**DRM570524LT**

**Weidmüller Interface GmbH & Co. KG**  
 Klingenbergstraße 26  
 D-32758 Detmold  
 Germany

www.weidmueller.com

**Accessories**

**Blank**



ESG is the tried-and-tested marker in MultiCard format for use on many well-known electrical devices. The result is high-quality device marking with a high-contrast appearance.

Various types are available for devices from manufacturers like Siemens, ABB, Beckhoff etc. Advantages at a glance:

- Tags for universal usage, self-adhesive or clip-on tags, depending on type
- For aligned equipment, e.g. circuit breakers, we supply ESG markers for clipping onto tag rails
- Individual laser-quality printing according to specifications

**For custom printing:** Please send us a file of our labeling software M-Print PRO or M-Print PRO Online (without installation) for your labeling specifications.

**General ordering data**

|            |                            |                                                                   |
|------------|----------------------------|-------------------------------------------------------------------|
| Type       | ESG 6/15 K MC NE GE        | Version                                                           |
| Order No.  | <a href="#">1880130000</a> | ESG, Device markers x 15 mm, PA 66, Colour: yellow, Self-adhesive |
| GTIN (EAN) | 4032248478910              |                                                                   |
| Qty.       | 200 pc(s).                 |                                                                   |
| Type       | ESG 6/15 K MC NE WS        | Version                                                           |
| Order No.  | <a href="#">1880100000</a> | ESG, Device markers x 15 mm, PA 66, Colour: white, Self-adhesive  |
| GTIN (EAN) | 4032248478781              |                                                                   |
| Qty.       | 200 pc(s).                 |                                                                   |

## DRM570524LT

**Weidmüller Interface GmbH & Co. KG**  
 Klingenbergstraße 26  
 D-32758 Detmold  
 Germany

www.weidmueller.com

# Accessories

## Custom printing



ESG is the tried-and-tested marker in MultiCard format for use on many well-known electrical devices. The result is high-quality device marking with a high-contrast appearance.

Various types are available for devices from manufacturers like Siemens, ABB, Beckhoff etc.

Advantages at a glance:

- Tags for universal usage, self-adhesive or clip-on tags, depending on type
- For aligned equipment, e.g. circuit breakers, we supply ESG markers for clipping onto tag rails
- Individual laser-quality printing according to specifications

**For custom printing:** Please send us a file of our labeling software M-Print PRO or M-Print PRO Online (without installation) for your labeling specifications.

## General ordering data

|            |                            |                                                         |
|------------|----------------------------|---------------------------------------------------------|
| Type       | ESG 9/26 SCM ECO MC SDR    | Version                                                 |
| Order No.  | <a href="#">1525800000</a> | ESG, Device markers x 26 mm, PA 66, Colour: To customer |
| GTIN (EAN) | 4050118331875              | specification                                           |
| Qty.       | 80 pc(s).                  |                                                         |

## LED



Pluggable protective modules for the D-SERIES relay sockets, with optional protective functions.

- With green LED

## General ordering data

|            |                            |                                                                               |
|------------|----------------------------|-------------------------------------------------------------------------------|
| Type       | RIM 3 6/24VUC              | Version                                                                       |
| Order No.  | <a href="#">7940018457</a> | D-SERIES, LED module, Rated control voltage: 6...24 V UC, Plug-in connection  |
| GTIN (EAN) | 4032248878192              |                                                                               |
| Qty.       | 10 pc(s).                  |                                                                               |
| Type       | RIM 3 24/60VUC             | Version                                                                       |
| Order No.  | <a href="#">7760056018</a> | D-SERIES, LED module, Rated control voltage: 24...60 V UC, Plug-in connection |
| GTIN (EAN) | 4032248878130              |                                                                               |
| Qty.       | 10 pc(s).                  |                                                                               |

## DRM570524LT

**Weidmüller Interface GmbH & Co. KG**  
 Klingenbergstraße 26  
 D-32758 Detmold  
 Germany

www.weidmueller.com

# Accessories

## ESG 6/17



### Guaranteed long service life: ESG

The multi-colour and multi-format labels have a strong adhesive layer to ensure the best possible adhesion to the underlying surface. Double laminated polyester makes the basic material very thin and yet extremely tear-resistant.

### Your benefits with MultiMark

- "Different materials for various requirements"
- Can be used with equipment from many manufacturers
- Device markers with a familiar design

### General ordering data

| Type       | ESG 6/17 MM WS             | Version                               |
|------------|----------------------------|---------------------------------------|
| Order No.  | <a href="#">2005100000</a> | ESG, Device markers, 6 x 17 mm, white |
| GTIN (EAN) | 4050118390728              |                                       |
| Qty.       | 3,000 pc(s).               |                                       |

## Sockets



Relay sockets for the D-SERIES DRM relays

- 2 and 4 CO contacts
- Screw and PUSH IN connection
- Standard and low heights

### General ordering data

| Type       | FS 4CO                     | Version                                                        |
|------------|----------------------------|----------------------------------------------------------------|
| Order No.  | <a href="#">7760056107</a> | D-SERIES DRM, Relay socket, Number of contacts: 4, CO contact, |
| GTIN (EAN) | 4032248855575              | Continuous current: 10 A, Screw connection                     |
| Qty.       | 10 pc(s).                  |                                                                |
| Type       | SCM 4CO P                  | Version                                                        |
| Order No.  | <a href="#">7760056363</a> | D-SERIES DRM, Relay socket, Number of contacts: 4, CO contact, |
| GTIN (EAN) | 6944169772276              | Continuous current: 6 A, PUSH IN                               |
| Qty.       | 10 pc(s).                  |                                                                |
| Type       | SCM 4CO ECO                | Version                                                        |
| Order No.  | <a href="#">7760056264</a> | D-SERIES DRM, Relay socket, Number of contacts: 4, CO contact, |
| GTIN (EAN) | 6944169662973              | Continuous current: 6 A, Screw connection                      |
| Qty.       | 10 pc(s).                  |                                                                |

**DRM570524LT**

**Weidmüller Interface GmbH & Co. KG**  
 Klingenbergstraße 26  
 D-32758 Detmold  
 Germany

www.weidmueller.com

**Accessories**

**Blank**



ESG is the tried-and-tested marker in MultiCard format for use on many well-known electrical devices. The result is high-quality device marking with a high-contrast appearance.

Various types are available for devices from manufacturers like Siemens, ABB, Beckhoff etc. Advantages at a glance:

- Tags for universal usage, self-adhesive or clip-on tags, depending on type
- For aligned equipment, e.g. circuit breakers, we supply ESG markers for clipping onto tag rails
- Individual laser-quality printing according to specifications

**For custom printing:** Please send us a file of our labeling software M-Print PRO or M-Print PRO Online (without installation) for your labeling specifications.

**General ordering data**

|            |                            |                                                                   |
|------------|----------------------------|-------------------------------------------------------------------|
| Type       | ESG 6/17 K MC NE GE        | Version                                                           |
| Order No.  | <a href="#">1880110000</a> | ESG, Device markers x 17 mm, PA 66, Colour: yellow, Self-adhesive |
| GTIN (EAN) | 4032248478798              |                                                                   |
| Qty.       | 200 pc(s).                 |                                                                   |

|            |                            |                                                                  |
|------------|----------------------------|------------------------------------------------------------------|
| Type       | ESG 6/17 K MC NE WS        | Version                                                          |
| Order No.  | <a href="#">1880120000</a> | ESG, Device markers x 17 mm, PA 66, Colour: white, Self-adhesive |
| GTIN (EAN) | 4032248478804              |                                                                  |
| Qty.       | 200 pc(s).                 |                                                                  |

**Retaining clips**



Retaining clip for D-SERIES DRM relays

- Metal and plastic retaining clip

**General ordering data**

|            |                            |                          |
|------------|----------------------------|--------------------------|
| Type       | DRM/DRL CLIP M             | Version                  |
| Order No.  | <a href="#">7760056108</a> | D-SERIES, Retaining clip |
| GTIN (EAN) | 4032248855568              |                          |
| Qty.       | 10 pc(s).                  |                          |

|            |                            |                              |
|------------|----------------------------|------------------------------|
| Type       | SCM CLIP P                 | Version                      |
| Order No.  | <a href="#">7760056367</a> | D-SERIES DRM, Retaining clip |
| GTIN (EAN) | 6944169773334              |                              |
| Qty.       | 5 pc(s).                   |                              |



## DRM570524LT

**Weidmüller Interface GmbH & Co. KG**  
 Klingenbergstraße 26  
 D-32758 Detmold  
 Germany

www.weidmueller.com

# Accessories

## Blank



ESG is the tried-and-tested marker in MultiCard format for use on many well-known electrical devices. The result is high-quality device marking with a high-contrast appearance.

Various types are available for devices from manufacturers like Siemens, ABB, Beckhoff etc. Advantages at a glance:

- Tags for universal usage, self-adhesive or clip-on tags, depending on type
- For aligned equipment, e.g. circuit breakers, we supply ESG markers for clipping onto tag rails
- Individual laser-quality printing according to specifications

**For custom printing:** Please send us a file of our labeling software M-Print PRO or M-Print PRO Online (without installation) for your labeling specifications.

## General ordering data

|            |                            |                                                    |
|------------|----------------------------|----------------------------------------------------|
| Type       | ESG 9/26 SCM ECO MC NE ... | Version                                            |
| Order No.  | <a href="#">1520990000</a> | ESG, Device markers x 26 mm, PA 66, Colour: yellow |
| GTIN (EAN) | 4050118327861              |                                                    |
| Qty.       | 80 pc(s).                  |                                                    |
| Type       | ESG 9/26 SCM ECO MC NE ... | Version                                            |
| Order No.  | <a href="#">1521000000</a> | ESG, Device markers x 26 mm, PA 66, Colour: grey   |
| GTIN (EAN) | 4050118327878              |                                                    |
| Qty.       | 80 pc(s).                  |                                                    |
| Type       | ESG 9/26 SCM ECO MC NE ... | Version                                            |
| Order No.  | <a href="#">1520980000</a> | ESG, Device markers x 26 mm, PA 66, Colour: white  |
| GTIN (EAN) | 4050118327939              |                                                    |
| Qty.       | 80 pc(s).                  |                                                    |

## ESG 6/15



### Guaranteed long service life: ESG

The multi-colour and multi-format labels have a strong adhesive layer to ensure the best possible adhesion to the underlying surface. Double laminated polyester makes the basic material very thin and yet extremely tear-resistant.

### Your benefits with MultiMark

- "Different materials for various requirements"
- Can be used with equipment from many manufacturers
- Device markers with a familiar design

## General ordering data

|            |                            |                                       |
|------------|----------------------------|---------------------------------------|
| Type       | ESG 6/15 MM WS             | Version                               |
| Order No.  | <a href="#">2619940000</a> | ESG, Device markers, 6 x 15 mm, white |
| GTIN (EAN) | 4050118626148              |                                       |
| Qty.       | 3.000 pc(s).               |                                       |

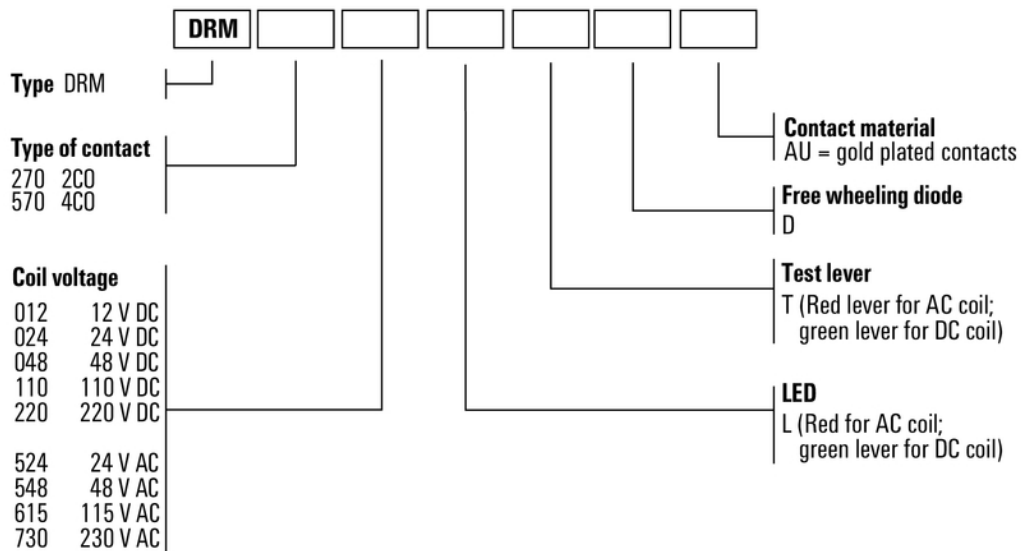
**DRM570524LT**

**Weidmüller Interface GmbH & Co. KG**  
 Klingenbergstraße 26  
 D-32758 Detmold  
 Germany

www.weidmueller.com

**Drawings**

**Miscellaneous**



Type codes