

# Uninterruptible power supply - QUINT4-UPS/24DC/24DC/40/EIP



2907080

<https://www.phoenixcontact.com/pc/products/2907080>

Please be informed that the data shown in this PDF document is generated from our Online Catalog. Please find the complete data in the user documentation. Our General Terms of Use for Downloads are valid.



QUINT UPS with IQ Technology, RJ45 communication interfaces (EtherNet/IP™), for DIN rail mounting, input: 24 V DC, output: 24 V DC / 40 A, charging current: 5 A

## Product Description

The intelligent QUINT UPS for integration into established industrial networks: your systems continue to be supplied with uninterrupted power, even in the event of a mains failure. The battery management system with IQ Technology and a powerful battery charger ensures superior system availability.

## Your advantages

- Easy integration into networks using PROFINET, EtherNet/IP, EtherCAT<sup>®</sup> and USB interfaces
- Evaluation of state of health (SOH) and state of charge (SOC), thanks to the intelligent battery management system (BMS)
- Automatic recognition of the battery capacities and technologies (VRLA-WTR, LI-ION)
- Monitoring of output current and voltage, as well as manual connection and disconnection of the system
- SFB Technology selectively trips standard miniature circuit breakers. Loads connected in parallel continue working.

## Commercial Data

Item number	2907080
Packing unit	1 pc
Minimum order quantity	1 pc
Product Key	CMUI43
Catalog Page	Page 319 (C-4-2019)
GTIN	4055626171715
Weight per Piece (including packing)	769.7 g
Weight per Piece (excluding packing)	582 g
Customs tariff number	85371091
Country of origin	CN

# Uninterruptible power supply - QUINT4-UPS/24DC/24DC/40/EIP



2907080

<https://www.phoenixcontact.com/pc/products/2907080>

## Technical Data

### Input data

Input voltage	24 V DC
Input voltage range	18 V DC ... 30 V DC
	18 V DC ... 32 V DC
Electric strength, max.	35 V DC
Internal input fuse	no
Voltage type of supply voltage	DC
Inrush current	≤ 9 A (≤ 4 ms)
Reverse polarity protection	yes
Fixed backup threshold	22 V DC
Dynamic activation threshold	> 1 V / 100 ms
Switch-on time	max. 3 s
Switch-on time during battery operation (Bat.-Start)	8 s
Voltage drop, input/output	0.5 V DC
Current consumption $I_N$ ( $U_N, I_{OUT} = I_N, I_{charge} = 0$ )	40.1 A
Current consumption $I_{max}$ ( $U_N, I_{OUT} = I_{Stat.Boost}, I_{charge} = max$ )	51.2 A
Current consumption $I_{No-Load}$ ( $U_N, I_{OUT} = 0, I_{charge} = 0$ )	105 mA
Current consumption $I_{charge}$ ( $U_N, I_{OUT} = 0, I_{charge} = max$ )	6.1 A
Power consumption $P_N$ ( $U_N, I_{OUT} = I_N, I_{charge} = 0$ )	967 W
Power consumption $P_{max}$ ( $U_N, I_{OUT} = I_{Stat.Boost}, I_{charge} = max$ )	1122 W
Power consumption $P_{No-Load}$ ( $U_N, I_{OUT} = 0, I_{charge} = 0$ )	2.6 W
Power consumption $P_{charge}$ ( $U_N, I_{OUT} = 0, I_{charge} = max$ )	148 W

### Output data

Efficiency	typ. 97 %
Number of outputs	1
Nominal output current ( $I_N$ )	40 A (-25 °C ... 50 °C)
Short-circuit-proof	yes
No-load proof	yes
Switch-over time	0 ms
Output current limit	In mains mode according to connected upstream current limiting device
	> 45 A (Battery operation)
Power dissipation	2.8 W (Mains operation)
	13 W (Mains operation)
	3.51 W (Battery operation)
	16.4 W (Battery operation)
UPS connection in parallel	no
UPS connection in series	no
Energy storage device connection in parallel	Yes, 5 (observe line protection)

# Uninterruptible power supply - QUINT4-UPS/24DC/24DC/40/EIP



2907080

<https://www.phoenixcontact.com/pc/products/2907080>

Energy storage device connection in series	no
--	----

## Mains operation

Output voltage	24 V DC ( $U_{OUT} = U_{IN} - 0.5 \text{ V DC}$ )
Output voltage range	18 V DC ... 30 V DC 18 V DC ... 32 V DC
Output current $I_N$	40 A
Static Boost ( $I_{Stat.Boost}$ )	45 A
Dynamic Boost ( $I_{Dyn.Boost}$ )	60 A (5 s)
Selective Fuse Breaking ( $I_{SFB}$ )	215 A (15 ms)
Output power $P_{OUT}$ ( $U_N, I_{OUT} = I_N$ )	960 W
Output power $P_{OUT}$ ( $U_N, I_{OUT} = I_{stat.Boost}$ )	1080 W

## Battery operation

Output voltage	24 V DC ( $U_{OUT} = U_{BAT} - 0.5 \text{ V DC}$ )
Output voltage range	19 V DC ... 32 V DC
Output current $I_N$	40 A
Static Boost ( $I_{Stat.Boost}$ )	45 A
Dynamic Boost ( $I_{Dyn.Boost}$ )	60 A (5 s)
Selective Fuse Breaking ( $I_{SFB}$ )	215 A (15 ms)
Output power $P_{OUT}$ ( $U_N, I_{OUT} = I_N$ )	960 W
Output power $P_{OUT}$ ( $U_N, I_{OUT} = I_{stat.Boost}$ )	1080 W

## Energy storage

End-of-charge voltage	32 V DC
End-of-charge voltage (temperature-compensated)	25 V DC ... 32 V DC
Charging current (configurable)	5 A
Nominal capacity (without additional charger)	7 Ah ... 100 Ah
Max. capacity	135 Ah
Charging time	202.5 h
Buffer time	45 min. (38 Ah)
Deep discharge protection	19.2 V DC
Battery technology	VRLA, VRLA-WTR, LI-ION
Charge characteristic curve	IU <sub>0</sub> U
IQ-Technology	yes
Temperature sensor	yes
Temperature compensation (configurable)	42 mV/K

## Connection data

### Input

Position	1.x
----------	-----

### Conductor connection

Connection method	Screw connection
-------------------	------------------

# Uninterruptible power supply - QUINT4-UPS/24DC/24DC/40/EIP



2907080

<https://www.phoenixcontact.com/pc/products/2907080>

rigid	0.5 mm <sup>2</sup> ... 16 mm <sup>2</sup>
flexible	0.5 mm <sup>2</sup> ... 16 mm <sup>2</sup>
flexible with ferrule without plastic sleeve	0.5 mm <sup>2</sup> ... 16 mm <sup>2</sup>
flexible with ferrule with plastic sleeve	0.5 mm <sup>2</sup> ... 16 mm <sup>2</sup>
rigid (AWG)	8 ... 6 (Cu)
Stripping length	10 mm (rigid/flexible)
Tightening torque	1.2 Nm ... 1.5 Nm
Drive form screw head	Slotted L

## Output

Position	2.x
----------	-----

## Conductor connection

Connection method	Screw connection
rigid	0.5 mm <sup>2</sup> ... 16 mm <sup>2</sup>
flexible	0.5 mm <sup>2</sup> ... 16 mm <sup>2</sup>
flexible with ferrule without plastic sleeve	0.5 mm <sup>2</sup> ... 16 mm <sup>2</sup>
flexible with ferrule with plastic sleeve	0.5 mm <sup>2</sup> ... 16 mm <sup>2</sup>
rigid (AWG)	8 ... 6 (Cu)
Stripping length	10 mm (rigid/flexible) 8 mm (Ferrule)
Tightening torque	1.2 Nm ... 1.5 Nm
Drive form screw head	Slotted L

## Signal

Position	3.x
----------	-----

## Conductor connection

Connection method	Push-in connection
rigid	0.2 mm <sup>2</sup> ... 1 mm <sup>2</sup>
flexible	0.2 mm <sup>2</sup> ... 1 mm <sup>2</sup>
flexible with ferrule without plastic sleeve	0.2 mm <sup>2</sup> ... 0.75 mm <sup>2</sup> 0.5 mm <sup>2</sup> (recommended)
flexible with ferrule with plastic sleeve	0.2 mm <sup>2</sup> ... 0.75 mm <sup>2</sup>
rigid (AWG)	24 ... 16 (Cu)
Stripping length	8 mm (rigid/flexible)

## Interfaces

Interface	EtherNet/IP (Modbus/TCP)
Number of interfaces	2
Connection method	RJ45 socket
Locking	Locking clip
Transmission physics	Twisted-Pair Autonegotiation

# Uninterruptible power supply - QUINT4-UPS/24DC/24DC/40/EIP



2907080

<https://www.phoenixcontact.com/pc/products/2907080>

Features	Autocrossing
	Half- or full-duplex
	automatic recognition
	Optional: manually adjustable
Topology	Star
	Line
Transmission speed	10 Mbps ... 100 Mbps
Transmission length	max. 100 m
Cycle time	30 ms (Default)
Access time	≤ 2 s
Supported protocols	EtherNet/IP <sup>□</sup> (Explicit Messaging, Implicit Messaging)
	BootP
	DHCP
	DLR
	Modbus/TCP
	HTTPS (Webserver)
Chipset	Renesas R-IN32M3
Electrical isolation	yes
Device ID	1FF8 <sub>hex</sub>
Vendor ID	232hex
IP address	192.168.019.023 (configurable)

## LED signaling

Types of signaling	DC OK (green)
	Alarm (red)
	Bat.-Mode (yellow)
	SOC (red, green)
	Data (red, green)

## Product properties

Product type	Uninterruptible power supply
	QUINT USV
MTBF (IEC 61709, SN 29500)	> 1151000 h (25 °C)
	> 718500 h (40 °C)
	> 365200 h (60 °C)
Environmental protection directive	RoHS Directive 2011/65/EU
	WEEE
	Reach

## Insulation characteristics

Protection class	III (without PE)
Degree of pollution	2

Life expectancy (electrolytic capacitors)

# Uninterruptible power supply - QUINT4-UPS/24DC/24DC/40/EIP



2907080

<https://www.phoenixcontact.com/pc/products/2907080>

Time	126720 h
------	----------

## Dimensions

Width	47 mm
Height	130 mm
Depth	125 mm

## Installation dimensions

Installation distance right/left (active)	5 mm / 5 mm ( $P_{Out} \geq 50\%$ )
Installation distance right/left (passive)	0 mm / 0 mm ( $P_{Out} \geq 50\%$ )
Installation distance right/left (active, passive)	0 mm / 0 mm ( $P_{Out} \leq 50\%$ )
Installation distance top/bottom (active)	50 mm / 50 mm ( $P_{Out} \geq 50\%$ )
Installation distance top/bottom (passive)	40 mm / 20 mm ( $P_{Out} \geq 50\%$ )
Installation distance top/bottom (active, passive)	40 mm / 20 mm ( $P_{Out} \leq 50\%$ )

## Alternative assembly

Width	123 mm
Height	130 mm
Depth	49 mm

## Mounting

Mounting type	DIN rail mounting
Mounting position	On horizontal DIN rail NS 35/7.5 and NS 35/15 acc. to EN 60715

## Material specifications

Flammability rating according to UL 94 (housing / terminal blocks)	V0
Housing material	Metal
Hood version	Stainless steel X6Cr17
Side element version	Aluminum AlMg3

## Environmental and real-life conditions

### Ambient conditions

Degree of protection	IP20
Ambient temperature (operation)	-25 °C ... 70 °C (> 60 °C Derating: 2,5 %/K)
Ambient temperature (storage/transport)	-40 °C ... 85 °C
Ambient temperature (start-up type tested)	-40 °C
Maximum altitude	≤ 4000 m
Climatic class	3K3 (EN 60721)
Max. permissible relative humidity (operation)	≤ 95 % (at 25 °C, non-condensing)
Shock	18 ms, 30g, in each space direction (according to IEC 60068-2-27)
Vibration (operation)	2.3g

# Uninterruptible power supply - QUINT4-UPS/24DC/24DC/40/EIP



2907080

<https://www.phoenixcontact.com/pc/products/2907080>

## Standards and regulations

### Protective extra-low voltage

Standards/specifications	IEC 61010-1 (SELV)
	IEC 61010-2-201 (PELV)

## Approval data

### UL approval

Identification	UL/C-UL Listed UL 61010-1
----------------	---------------------------

### UL approval

Identification	UL/C-UL Listed UL 61010-2-201
----------------	-------------------------------

### UL approval

Identification	UL/C-UL Listed ANSI/ISA-12.12.01 Class I, Division 2, Groups A, B, C, D T4 (Hazardous Location)
----------------	---

### CSA

Identification	CAN/CSA-C22.2 No. 61010-1-12
----------------	------------------------------

### CSA

Identification	CAN/CSA-IEC 61010-2-201
----------------	-------------------------

### CSA

Identification	CAN/CSA-C22.2 No. 213 Class I, Division 2, Groups A, B, C, D T4 (Hazardous Location)
----------------	--

### CB scheme

Identification	IEC 61010-1
	IEC 61010-2-201

### DNV

Identification	Class Guideline DNVGL-CG-0339
Note	Location classes: Temperature D (see Application/Limitation), Humidity B, Vibration A/C, EMC B

## EMC data

Low Voltage Directive	Conformance with Low Voltage Directive 2014/35/EC
Electromagnetic compatibility	Conformance with EMC Directive 2014/30/EU
EMC requirements for noise emission	EN 61000-6-3
	EN 61000-6-4
EMC requirements for noise immunity	EN 61000-6-1
	EN 61000-6-2
Interference emission	Interference emission in accordance with EN 61000-6-3 (residential and commercial)
Noise emission	Additional basic standard EN 61000-6-5 (immunity in power station), IEC/EN 61850-3 (energy supply)

# Uninterruptible power supply - QUINT4-UPS/24DC/24DC/40/EIP



2907080

<https://www.phoenixcontact.com/pc/products/2907080>

Noise immunity	Immunity in accordance with EN 61000-6-1 (residential), EN 61000-6-2 (industrial), and EN 61000-6-5 (power station equipment zone), IEC/EN 61850-3 (power supply)
	Immunity in accordance with EN 61000-6-2 (industrial)
Electrostatic discharge	
Standards/regulations	EN 61000-4-2
Electrostatic discharge	
Contact discharge	8 kV (Test Level 4)
Discharge in air	15 kV (Test Level 4)
Comments	Criterion B
Electromagnetic HF field	
Standards/regulations	EN 61000-4-3
Electromagnetic HF field	
Frequency range	80 MHz ... 1 GHz
Test field strength	20 V/m (Test Level 3)
Frequency range	1 GHz ... 6 GHz
Test field strength	10 V/m (Test Level 3)
Frequency range	1 GHz ... 6 GHz
Test field strength	10 V/m (Test Level 3)
Comments	Criterion A
Fast transients (burst)	
Standards/regulations	EN 61000-4-4
Fast transients (burst)	
Input	4 kV (Test Level 4 - asymmetrical)
Output	4 kV (Test Level 4 - asymmetrical)
Signal	4 kV (Test Level 4 - asymmetrical)
Comments	Criterion B
Surge voltage load (surge)	
Standards/regulations	EN 61000-4-5
Input	1 kV (Test Level 3 - symmetrical)
	2 kV (Test Level 3 - asymmetrical)
Output	1 kV (Test Level 3 - symmetrical)
	2 kV (Test Level 3 - asymmetrical)
Signal	1 kV (Test Level 2 - asymmetrical)
Comments	Criterion B
Conducted interference	
Standards/regulations	EN 61000-4-6
Conducted interference	



# Uninterruptible power supply - QUINT4-UPS/24DC/24DC/40/EIP



2907080

<https://www.phoenixcontact.com/pc/products/2907080>

I/O/S	asymmetrical
Frequency range	0.15 MHz ... 80 MHz
Comments	Criterion A
Voltage	10 V (Test Level 3)

## Power frequency magnetic field

Standards/regulations	EN 61000-4-8
Frequency	16.67 Hz
	50 Hz
	60 Hz
Test field strength	100 A/m
Additional text	60 s
Comments	Criterion A
Frequency	50 Hz
	60 Hz
Frequency range	50 Hz ... 60 Hz
Test field strength	1 kA/m
Additional text	3 s
Frequency	0 Hz
Test field strength	300 A/m
Additional text	DC, 60 s

## Criteria

Criterion A	Normal operating behavior within the specified limits.
Criterion B	Temporary impairment to operational behavior that is corrected by the device itself.

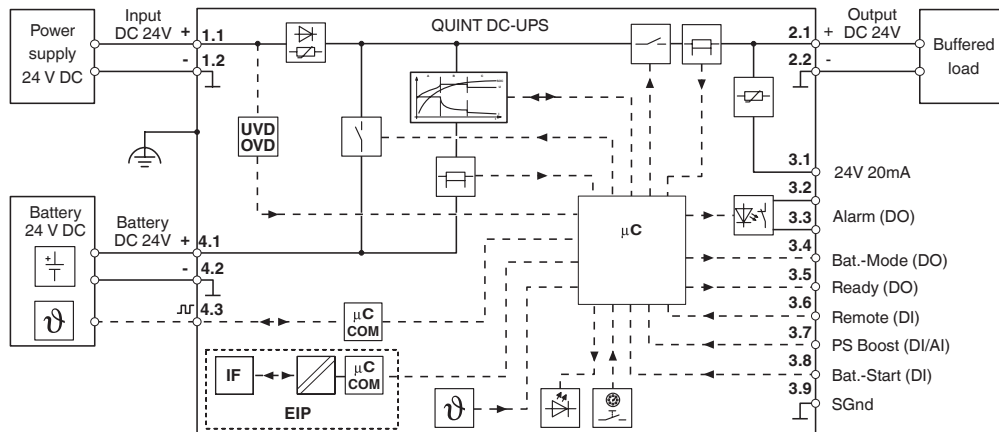
# Uninterruptible power supply - QUINT4-UPS/24DC/24DC/40/EIP

2907080

<https://www.phoenixcontact.com/pc/products/2907080>

## Drawings

Block diagram



# Uninterruptible power supply - QUINT4-UPS/24DC/24DC/40/EIP



2907080

<https://www.phoenixcontact.com/pc/products/2907080>

## Approvals



**EAC**

Approval ID: RU S-DE.BL08.W.00764



**UL Listed**

Approval ID: FILE E 123528



**cUL Listed**

Approval ID: FILE E 123528



**EAC**

Approval ID: RU-DE.B.00184/20

**DNV**

Approval ID: TAA00002K4



**KC**

Approval ID: R-R-PCK-2907080



**cUL Listed**

Approval ID: FILE E 199827



**UL Listed**

Approval ID: FILE E 199827

**cULus Listed**

**cULus Listed**

# Uninterruptible power supply - QUINT4-UPS/24DC/24DC/40/EIP



2907080

<https://www.phoenixcontact.com/pc/products/2907080>

## Classifications

### ECLASS

ECLASS-9.0	27040705
ECLASS-10.0.1	27040705
ECLASS-11.0	27040705

### ETIM

ETIM 8.0	EC000382
----------	----------

### UNSPSC

UNSPSC 21.0	39121000
-------------	----------

# Uninterruptible power supply - QUINT4-UPS/24DC/24DC/40/EIP



2907080

<https://www.phoenixcontact.com/pc/products/2907080>

## Environmental Product Compliance

REACH SVHC	Lead 7439-92-1
China RoHS	Environmentally Friendly Use Period = 25; For information on hazardous substances, refer to the manufacturer's declaration available under "Downloads"

# Uninterruptible power supply - QUINT4-UPS/24DC/24DC/40/EIP



2907080

<https://www.phoenixcontact.com/pc/products/2907080>

## Accessories

### Energy storage

Energy storage - UPS-BAT/PB/24DC/7AH - 1274118

<https://www.phoenixcontact.com/pc/products/1274118>



Energy storage, VRLA-AGM, 24 V DC, 7 Ah, automatic detection and communication with QUINT UPS-IQ

---

### Energy storage

Energy storage - UPS-BAT/PB/24DC/12AH - 1274119

<https://www.phoenixcontact.com/pc/products/1274119>



Energy storage, VRLA-AGM, 24 V DC, 12 Ah, automatic detection and communication with QUINT UPS-IQ

# Uninterruptible power supply - QUINT4-UPS/24DC/24DC/40/EIP

2907080

<https://www.phoenixcontact.com/pc/products/2907080>

## Energy storage

Energy storage - UPS-BAT/VRLA/24DC/20AH - 1109004

<https://www.phoenixcontact.com/pc/products/1109004>



Energy storage, lead AGM, VRLA technology, 24 V DC, 20 Ah, automatic detection and communication with QUINT UPS-IQ

---

## Configuration software

Configuration software - UPS-CONF - 2320403

<https://www.phoenixcontact.com/pc/products/2320403>



Configuration software for QUINT UPS IQ and TRIO UPS uninterruptible power supplies (available for free under Downloads).

# Uninterruptible power supply - QUINT4-UPS/24DC/24DC/40/EIP



2907080

<https://www.phoenixcontact.com/pc/products/2907080>

## Energy storage

Energy storage - UPS-BAT/VRLA/24DC/7.2AH - 2320319

<https://www.phoenixcontact.com/pc/products/2320319>



Energy storage device, lead AGM, VRLA technology, 24 V DC, 7.2 Ah, tool-free battery replacement, automatic detection, and communication with QUINT UPS-IQ

---

## Energy storage

Energy storage - UPS-BAT/VRLA/24DC/12AH - 2320322

<https://www.phoenixcontact.com/pc/products/2320322>



Please use the following item in new systems: 1274119.

Energy storage device, lead AGM, VRLA technology, 24 V DC, 12 Ah, tool-free battery replacement, automatic detection, and communication with QUINT UPS-IQ



# Uninterruptible power supply - QUINT4-UPS/24DC/24DC/40/EIP



2907080

<https://www.phoenixcontact.com/pc/products/2907080>

## Energy storage

Energy storage - UPS-BAT/VRLA/24DC/38AH - 2320335

<https://www.phoenixcontact.com/pc/products/2320335>



Energy storage device, lead AGM, VRLA technology, 24 V DC, 38 Ah, automatic detection, and communication with QUINT UPS-IQ

---

## Energy storage

Energy storage - UPS-BAT/VRLA-WTR/24DC/13AH - 2320416

<https://www.phoenixcontact.com/pc/products/2320416>



Energy storage device, lead AGM, VRLA technology, 24 V DC, 13 Ah, tool-free battery replacement, automatic detection, and communication with QUINT UPS-IQ

# Uninterruptible power supply - QUINT4-UPS/24DC/24DC/40/EIP



2907080

<https://www.phoenixcontact.com/pc/products/2907080>

## Energy storage

Energy storage - UPS-BAT/VRLA-WTR/24DC/26AH - 2320429

<https://www.phoenixcontact.com/pc/products/2320429>



Energy storage device, lead AGM, VRLA technology, 24 V DC, 26 Ah, tool-free battery replacement, automatic detection, and communication with QUINT UPS-IQ

---

## Energy storage

Energy storage - UPS-BAT/LI-ION/24DC/120WH - 2320351

<https://www.phoenixcontact.com/pc/products/2320351>



Energy storage device, LI-ION technology, 24 V DC, 120 Wh, for ambient temperatures of -20°C ... 60°C, automatic detection and communication with QUINT UPS-IQ

# Uninterruptible power supply - QUINT4-UPS/24DC/24DC/40/EIP



2907080

<https://www.phoenixcontact.com/pc/products/2907080>

## Energy storage

Energy storage - UPS-BAT/LI-ION/24DC/924WH - 2908232

<https://www.phoenixcontact.com/pc/products/2908232>



Energy storage device, LI-ION technology, 24 V DC, 924 Wh, for ambient temperatures of -25 °C ... 60 °C, automatic detection and communication with QUINT UPS-IQ

---

## Energy storage

Energy storage - UPS-BAT/PB/24DC/20AH - 1348516

<https://www.phoenixcontact.com/pc/products/1348516>



Energy storage, VRLA-AGM, 24 V DC, 20 Ah, automatic detection and communication with QUINT UPS-IQ

---

Phoenix Contact 2023 © - all rights reserved

<https://www.phoenixcontact.com>

PHOENIX CONTACT GmbH & Co. KG

Flachsmarktstraße 8

D-32825 Blomberg

+49 (0) 5235-3 00

[info@phoenixcontact.com](mailto:info@phoenixcontact.com)