

# Power supply unit - TRIO-PS/600DC/24DC/20



2866530

<https://www.phoenixcontact.com/pc/products/2866530>

Please be informed that the data shown in this PDF document is generated from our Online Catalog. Please find the complete data in the user documentation. Our General Terms of Use for Downloads are valid.

DIN rail power supply unit, primary-switched, 1-phase, input: 600 V DC, output: 24 V DC/20 A



## Product Description

TRIO POWER is the power supply unit for the DIN rail with basic functionality at the highest level. TRIO POWER, 600 V DC, 24 V DC is ideally suited for connection to 600 V DC intermediate circuits of frequency inverters: In the event of a line supply failure, 24 V loads are supplied using the kinetic energy of the motor.

## Your advantages

- Compact buffer solution
- Fast tripping of standard circuit breakers
- Preventive function monitoring
- Reliable starting of difficult loads and easy system extension

## Commercial Data

Item number	2866530
Packing unit	1 pc
Minimum order quantity	1 pc
Product Key	CMPT43
Catalog Page	Page 245 (C-4-2019)
GTIN	4046356556163
Weight per Piece (including packing)	1,957 g
Weight per Piece (excluding packing)	1,780 g
Customs tariff number	85044083
Country of origin	CN

## Technical Data

### Input data

#### DC operation

Nominal input voltage range	600 V DC
Input voltage range	450 V DC ... 840 V DC (Dielectric strength up to 900 V DC)
Voltage type of supply voltage	DC
Inrush current	< 26 A
Inrush current integral ( $I^2t$ )	0.8 A <sup>2</sup> s
Frequency range DC	0 Hz
Mains buffering time	typ. 15 ms (600 V DC)
Current consumption	0.9 A (600 V DC)
Nominal power consumption	527.3 VA
Protective circuit	Transient surge protection; Varistor
Power factor (cos phi)	1
Typical response time	< 1 s
Permissible backup fuse	4 A 6 A 1000 V DC
Recommended breaker for input protection	4 A ... 6 A (1000 V DC)
Discharge current to PE	< 3.5 mA

### Output data

Efficiency	> 91 % (With 600 V DC and nominal values)
Output characteristic	U/I
Nominal output voltage	24 V DC $\pm$ 1 %
Setting range of the output voltage ( $U_{Set}$ )	22.5 V DC ... 29.5 V DC ( $U_{IN} > 475$ V DC) 22.5 V DC ... 28 V DC ( $U_{IN} \leq 475$ V DC)
Nominal output current ( $I_N$ )	20 A (-25 °C ... 55 °C)
Derating	55 °C ... 70 °C (2.5%/K)
Feedback voltage resistance	35 V DC
Protection against overvoltage at the output (OVP)	< 35 V DC
Max. capacitive load	unlimited
Active current limitation	Approx. 25 A (for short-circuit)
Control deviation	< 1 % (change in load, static 10 % ... 90 %) < 2 % (change in load, dynamic 10 % ... 90 %) < 0.1 % (change in input voltage $\pm$ 10 %)
Residual ripple	< 40 mV <sub>PP</sub>
Output power	480 W
Peak switching voltages nominal load	< 10 mV <sub>PP</sub>
Maximum no-load power dissipation	3.8 W
Power loss nominal load max.	45 W
Rise time	< 2 ms ( $U_{OUT}$ (10 % ... 90 %))
Connection in parallel	yes, for redundancy and increased capacity
Connection in series	yes

# Power supply unit - TRIO-PS/600DC/24DC/20



2866530

<https://www.phoenixcontact.com/pc/products/2866530>

## Connection data

### Input

Connection method	Screw connection
Conductor cross section solid min.	0.2 mm <sup>2</sup>
Conductor cross section solid max.	2.5 mm <sup>2</sup>
Conductor cross section flexible min.	0.2 mm <sup>2</sup>
Conductor cross section flexible max.	2.5 mm <sup>2</sup>
Conductor cross section AWG min.	24
Conductor cross section AWG max.	14
Stripping length	9 mm
Screw thread	M2,5
Tightening torque, min	0.4 Nm
Tightening torque max	0.5 Nm

### Output

Connection method	Screw connection
Conductor cross section solid min.	0.5 mm <sup>2</sup>
Conductor cross section solid max.	6 mm <sup>2</sup>
Conductor cross section flexible min.	0.5 mm <sup>2</sup>
Conductor cross section flexible max.	4 mm <sup>2</sup>
Conductor cross section AWG min.	12
Conductor cross section AWG max.	10
Stripping length	14 mm
Screw thread	M3
Tightening torque, min	0.5 Nm
Tightening torque max	0.6 Nm

## LED signaling

Types of signaling	LED
--------------------	-----

### Signal output

Status display	"DC OK" LED green
Note on status display	U <sub>OUT</sub> > 21.5 V: LED lights up

## Electrical properties

Insulation voltage input/output	4 kV AC (type test)
	2 kV AC (routine test)
Insulation voltage output / PE	500 V DC (routine test)
Insulation voltage input/output	2 kV (routine test)
Insulation voltage input / PE	2 kV AC (type test)
	2 kV AC (routine test)
Insulation voltage input, output / housing	4 kV

## Product properties

# Power supply unit - TRIO-PS/600DC/24DC/20



2866530

<https://www.phoenixcontact.com/pc/products/2866530>

Product type	Power supply
	TRIO POWER
MTBF (IEC 61709, SN 29500)	> 701000 h (40 °C)

## Insulation characteristics

Protection class	I (with PE connection)
Overvoltage category	III
Degree of pollution	2

## Dimensions

Width	115 mm
Height	130 mm
Depth	152.5 mm

## Installation dimensions

Installation distance right/left	0 mm / 0 mm
Installation distance top/bottom	50 mm / 50 mm

## Mounting

Mounting type	DIN rail mounting
Assembly instructions	alignable: horizontally 0 mm, vertically 50 mm
Mounting position	horizontal DIN rail NS 35, EN 60715
With protective coating	No

## Material specifications

Color	aluminium
Housing material	Metal
Type of housing	Steel sheet, zinc-plated
Side element version	Aluminum

## Environmental and real-life conditions

### Ambient conditions

Degree of protection	IP20
Ambient temperature (operation)	-25 °C ... 70 °C (> 55° C derating : 2.5%/K)
Ambient temperature (storage/transport)	-40 °C ... 85 °C
Climatic class	3K3 (in acc. with EN 60721)
Max. permissible relative humidity (operation)	≤ 95 % (at 25 °C, non-condensing)
Shock	18 ms, 30g, in each space direction (according to IEC 60068-2-27)
Vibration (operation)	< 15 Hz, amplitude ±2.5 mm (according to IEC 60068-2-6) 15 Hz ... 150 Hz, 2.3g, 90 min.

## Standards and regulations

Rail applications	EN 50121-4
Standard – Electronic equipment for use in electrical power installations and their assembly into electrical power installations	EN 50178/VDE 0160 (PELV)

# Power supply unit - TRIO-PS/600DC/24DC/20



2866530

<https://www.phoenixcontact.com/pc/products/2866530>

Standard – Limitation of mains harmonic currents	EN 61000-3-2
Standard - Electrical safety	EN 60950-1/VDE 0805 (SELV)
Standard – Protection against shock currents, basic requirements for protective separation in electrical equipment	EN 50178
Standard – Safety extra-low voltage	EN 60950-1 (SELV)
	EN 60204 (PELV)
Standard - Safe isolation	DIN VDE 0100-410

## Approval data

UL approvals	UL/C-UL listed UL 508
	UL/C-UL Recognized UL 60950-1

## Conformity/Approvals

SIL in accordance with IEC 61508	0
----------------------------------	---

## EMC data

Low Voltage Directive	Conformance with Low Voltage Directive 2014/35/EC
Electromagnetic compatibility	Conformance with EMC Directive 2014/30/EU
EMC requirements for noise emission	EN 61000-6-3
	EN 61000-6-4
EMC requirements for noise immunity	EN 61000-6-1
	EN 61000-6-2
Noise immunity	EN 61000-6-2:2005

## Electrostatic discharge

Standards/regulations	EN 61000-4-2
Housing	Level 3

## Electrostatic discharge

Contact discharge	8 kV (Test Level 4)
Discharge in air	15 kV (Test Level 4)
Comments	Criterion B

## Electromagnetic HF field

Standards/regulations	EN 61000-4-3
-----------------------	--------------

## Electromagnetic HF field

Frequency range	80 MHz ... 1 GHz
Test field strength	20 V/m
Frequency range	1 GHz ... 2 GHz
Test field strength	10 V/m
Frequency range	2 GHz ... 3 GHz
Test field strength	10 V/m
Comments	Criterion A

## Fast transients (burst)

Standards/regulations	EN 61000-4-4
-----------------------	--------------

# Power supply unit - TRIO-PS/600DC/24DC/20



2866530

<https://www.phoenixcontact.com/pc/products/2866530>

## Fast transients (burst)

Input	4 kV (Test Level 4 - asymmetrical)
Output	2 kV (Test Level 4 - asymmetrical)
Comments	Criterion B

## Surge voltage load (surge)

Standards/regulations	EN 61000-4-5
Input	2 kV (Test Level 2 - symmetrical)
	4 kV (Test Level 4 - asymmetrical)
Output	1 kV (Test Level 2 - symmetrical)
	2 kV (Test Level 2 - asymmetrical)
Comments	Criterion A

## Conducted interference

Standards/regulations	EN 61000-4-6
-----------------------	--------------

## Conducted interference

Frequency range	10 kHz ... 15 kHz
Comments	Criterion A
Voltage	10 V (Test Level 3)

## Voltage dips

Standards/regulations	EN 61000-4-11
-----------------------	---------------

## Emitted interference

Standards/regulations	EN 61000-6-3
Radio interference voltage in acc. with EN 55011	EN 55011 (EN 55022) Class B, area of application: Industry and residential
Emitted radio interference in acc. with EN 55011	EN 55011 (EN 55022) Class B, area of application: Industry and residential

# Power supply unit - TRIO-PS/600DC/24DC/20

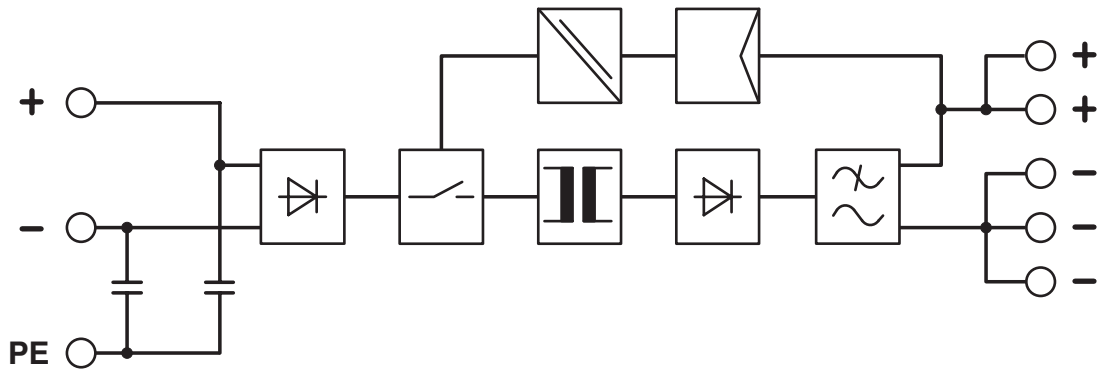


2866530

<https://www.phoenixcontact.com/pc/products/2866530>

## Drawings

Block diagram



# Power supply unit - TRIO-PS/600DC/24DC/20



2866530

<https://www.phoenixcontact.com/pc/products/2866530>

## Approvals



**cUL Recognized**  
Approval ID: FILE E 211944



**UL Recognized**  
Approval ID: FILE E 211944



**EAC**  
Approval ID: EAC-Zulassung



**EAC**  
Approval ID: EAC-Zulassung



**UL Listed**  
Approval ID: FILE E 123528



**cUL Listed**  
Approval ID: FILE E 123528



**EAC**  
Approval ID: RU S-DE.BL08.W.00764



**UL Recognized**  
Approval ID: FILE E 211944



**cUL Recognized**  
Approval ID: FILE E 211944



**cUL Listed**  
Approval ID: FILE E 123528



**UL Listed**  
Approval ID: FILE E 123528



**EAC**  
Approval ID: RU S-DE.BL08.W.00764



# Power supply unit - TRIO-PS/600DC/24DC/20



2866530

<https://www.phoenixcontact.com/pc/products/2866530>



**EAC**

Approval ID: RU S-DE.BL08.W.00764



**EAC**

Approval ID: RU S-DE.BL08.W.00764

# Power supply unit - TRIO-PS/600DC/24DC/20



2866530

<https://www.phoenixcontact.com/pc/products/2866530>

## Classifications

### ECLASS

ECLASS-9.0	27040701
ECLASS-10.0.1	27040701
ECLASS-11.0	27040701

### ETIM

ETIM 8.0	EC002540
----------	----------

### UNSPSC

UNSPSC 21.0	39121000
-------------	----------

# Power supply unit - TRIO-PS/600DC/24DC/20



2866530

<https://www.phoenixcontact.com/pc/products/2866530>

## Environmental Product Compliance

REACH SVHC	Lead 7439-92-1
China RoHS	Environmentally Friendly Use Period = 25;
	For information on hazardous substances, refer to the manufacturer's declaration available under "Downloads"

# Power supply unit - TRIO-PS/600DC/24DC/20



2866530

<https://www.phoenixcontact.com/pc/products/2866530>

## Accessories

### Mounting adapter

Mounting adapter - UWA 182/52 - 2938235

<https://www.phoenixcontact.com/pc/products/2938235>



Universal wall adapter for securely mounting the device in the event of strong vibrations. The device is screwed directly onto the mounting surface. The universal wall adapter is attached on the top/bottom.

---

### DIN rail adapter

DIN rail adapter - UTA 107 - 2853983

<https://www.phoenixcontact.com/pc/products/2853983>

Universal DIN rail adapter, for screwing on switchgear



# Power supply unit - TRIO-PS/600DC/24DC/20

2866530

<https://www.phoenixcontact.com/pc/products/2866530>



## Type 3 surge protection device

Type 3 surge protection device - PLT-SEC-T3-24-FM-UT - 2907916

<https://www.phoenixcontact.com/pc/products/2907916>



Type 3 surge protection, consisting of protective plug and base element, with integrated status indicator and remote signaling for single-phase power supply networks. Nominal voltage: 24 V AC/DC

---

Phoenix Contact 2023 © - all rights reserved

<https://www.phoenixcontact.com>

PHOENIX CONTACT GmbH & Co. KG

Flachsmarktstraße 8

D-32825 Blomberg

+49 (0) 5235-3 00

[info@phoenixcontact.com](mailto:info@phoenixcontact.com)