

Uninterruptible power supply - QUINT-UPS/ 24DC/ 24DC/10/3.4AH



2320267

<https://www.phoenixcontact.com/pc/products/2320267>

Please be informed that the data shown in this PDF document is generated from our Online Catalog. Please find the complete data in the user documentation. Our General Terms of Use for Downloads are valid.



Uninterruptible energy supply with IQ technology and integrated energy storage for DIN rail mounting, input 24 V DC, output: 24 V DC / 10 A, energy storage: lead AGM 4 Ah, incl. mounted UTA 107/30 universal DIN rail adapter

Product Description

UPS modules with integrated energy storage are particularly space saving: UPS module and energy storage are combined in one housing. It's just a case of connecting a power supply upstream.

Your advantages

- Easy handling thanks to automatic battery detection, tool-free battery replacement during operation, and communication via the IFS interface
- Reliable starting of difficult loads with the static POWER BOOST power reserve with up to 1.5 times the nominal current permanently
- Fast tripping of standard circuit breakers with SFB (selective fuse breaking) technology
- Device suitable for universal use thanks to comprehensive license package and extensive parameterization and diagnostics options

Commercial Data

| | |
|--------------------------------------|---------------------|
| Item number | 2320267 |
| Packing unit | 1 pc |
| Minimum order quantity | 1 pc |
| Product Key | CMUQV3 |
| Catalog Page | Page 344 (C-4-2019) |
| GTIN | 4046356554183 |
| Weight per Piece (including packing) | 4,590 g |
| Weight per Piece (excluding packing) | 4,114 g |
| Customs tariff number | 85371091 |
| Country of origin | CN |

Uninterruptible power supply - QUINT-UPS/ 24DC/ 24DC/10/3.4AH



2320267

<https://www.phoenixcontact.com/pc/products/2320267>

Technical Data

Product properties

| | |
|----------------------------|---|
| Product type | Uninterruptible power supply |
| | QUINT USV |
| Disposal | Used batteries must not be thrown away with household waste, they should instead be disposed of in accordance with applicable national regulations. |
| IQ technology | Yes |
| MTBF (IEC 61709, SN 29500) | > 806000 h (40 °C) |

Insulation characteristics

| | |
|---------------------|-----|
| Protection class | III |
| Degree of pollution | 2 |

Life expectancy (electrolytic capacitors)

| | |
|------|----------|
| Time | 295585 h |
|------|----------|

Input data

DC operation

| | |
|--------------------------------|---|
| Input voltage | 24 V DC |
| Input voltage range | 18 V DC ... 30 V DC |
| Input voltage range DC | 18 V DC ... 30 V DC |
| Voltage type of supply voltage | DC |
| Buffer period | 180 min. (1 A) 10 min. (10 A) |
| Current consumption | 18.6 A (24 V DC) 9.5 mA 3.6 A 14 A |

Output data

| | |
|----------------------------------|--|
| Efficiency | > 97.6 % (Mains operation, with charged energy storage) 96.41 % |
| Nominal output voltage | 24 V DC |
| Output voltage range | 18 V DC ... 30 V DC |
| Nominal output current (I_N) | 10 A (0 °C ... 40 °C) |
| Output current limit | > 15 A (Battery operation) |
| Bridging time | 600 s |
| Derating | 60 °C ... 70 °C (2.5%/K) |
| Output power | 240 W |
| Power dissipation | 3.1 W (Mains operation) 3.19 W (Mains operation) |

Uninterruptible power supply - QUINT-UPS/ 24DC/ 24DC/10/3.4AH



2320267

<https://www.phoenixcontact.com/pc/products/2320267>

| | |
|------------------------|---------------------------|
| | 1.8 W (Mains operation) |
| | 6.3 W (Battery operation) |
| | 4 W (Battery operation) |
| | 5.1 W (Battery operation) |
| Output fuse | 1x 25 A |
| Connection in parallel | 2 |
| Connection in series | No |

Mains operation

| | |
|---------------------------------------|---|
| Nominal output voltage | 24 V DC |
| Output voltage range | 18 V DC ... 30 V DC ($U_{OUT} = U_{IN} - 0,1 \text{ V DC}$) |
| Nominal output current (I_N) | 10 A (0 °C ... 40 °C) |
| POWER BOOST (I_{Boost}) | 15 A (0 °C ... 40 °C) |
| Selective Fuse Breaking (I_{SFB}) | 60 A (0 °C ... 40 °C) |
| Duration | 12 ms (SFB technology) |

Battery operation

| | |
|---------------------------------------|--|
| Nominal output voltage | 24 V DC |
| Output voltage range | 19.2 V DC ... 27.6 V DC ($U_{OUT} = U_{BAT} - 0,5 \text{ V DC}$) |
| Nominal output current (I_N) | 10 A (0 °C ... 40 °C) |
| POWER BOOST (I_{Boost}) | 15 A (0 °C ... 40 °C) |
| Selective Fuse Breaking (I_{SFB}) | 65 A (0 °C ... 40 °C) |
| Duration | 15 ms (SFB technology) |

Signal: Alarm

| | |
|-------------------------|---------------------------|
| Output description | Relay |
| Output voltage | $\leq 30 \text{ V AC/DC}$ |
| Continuous load current | $\leq 100 \text{ mA}$ |

Signal: Battery charge

| | |
|-------------------------|---------------------------|
| Output description | Relay |
| Output voltage | $\leq 30 \text{ V AC/DC}$ |
| Continuous load current | $\leq 100 \text{ mA}$ |

Signal: Battery mode

| | |
|-------------------------|---------------------------|
| Output description | Relay |
| Output voltage | $\leq 30 \text{ V AC/DC}$ |
| Continuous load current | $\leq 100 \text{ mA}$ |

Signal

| | |
|-------------------------|-----------------------|
| Continuous load current | $\leq 200 \text{ mA}$ |
|-------------------------|-----------------------|

Energy storage

| | |
|-----------------------|---|
| Nominal voltage U_N | 24 V DC |
| End-of-charge voltage | 24 V DC ... 29 V DC (temperature compensated) |

Uninterruptible power supply - QUINT-UPS/ 24DC/ 24DC/10/3.4AH



2320267

<https://www.phoenixcontact.com/pc/products/2320267>

| | |
|---------------------------------------|---|
| Charging current | 1.2 A |
| Nominal capacity | 4 Ah |
| Buffer period | 180 min. (1 A) |
| | 10 min. (10 A) |
| Battery module service life | 6 Years ... 9 Years (20 °C) |
| Latest startup date (battery only) | 6 Months (0 °C ... 20 °C) |
| Latest startup (battery only) - range | 3 Months ... 6 Months (20 °C ... 30 °C) |
| | 1 Months ... 3 Months (30 °C ... 40 °C) |
| Battery technology | VRLA-AGM |
| Memory medium | VRLA-AGM Battery 4.0 Ah |
| Accumulator type | 2x BB Battery HR4.2-12FR (from UPS V/C-level 06) |
| Disposal | Used batteries must not be thrown away with household waste, they should instead be disposed of in accordance with applicable national regulations. |
| IQ technology | Yes |
| Temperature sensor | yes |
| Network management | Yes |

Connection data

Input

| | |
|---------------------------------------|---------------------|
| Connection method | Screw connection |
| Conductor cross section solid min. | 0.2 mm ² |
| Conductor cross section solid max. | 2.5 mm ² |
| Conductor cross section flexible min. | 0.2 mm ² |
| Conductor cross section flexible max. | 2.5 mm ² |
| Conductor cross section AWG min. | 16 |
| Conductor cross section AWG max. | 12 |
| Stripping length | 7 mm |
| Screw thread | M4 |
| Tightening torque, min | 0.5 Nm |
| Tightening torque max | 0.6 Nm |

Output

| | |
|---------------------------------------|---------------------|
| Connection method | Screw connection |
| Conductor cross section solid min. | 0.2 mm ² |
| Conductor cross section solid max. | 2.5 mm ² |
| Conductor cross section flexible min. | 0.2 mm ² |
| Conductor cross section flexible max. | 2.5 mm ² |
| Conductor cross section AWG min. | 16 |
| Conductor cross section AWG max. | 12 |
| Stripping length | 7 mm |
| Screw thread | M4 |
| Tightening torque, min | 0.5 Nm |

Uninterruptible power supply - QUINT-UPS/ 24DC/ 24DC/10/3.4AH



2320267

<https://www.phoenixcontact.com/pc/products/2320267>

| | |
|-----------------------|--------|
| Tightening torque max | 0.6 Nm |
|-----------------------|--------|

Signal

| | |
|---------------------------------------|---------------------|
| Conductor cross section solid min. | 0.2 mm ² |
| Conductor cross section solid max. | 2.5 mm ² |
| Conductor cross section flexible min. | 0.2 mm ² |
| Conductor cross section flexible max. | 2.5 mm ² |
| Conductor cross section AWG min. | 24 |
| Conductor cross section AWG max. | 12 |
| Screw thread | M4 |
| Tightening torque, min | 0.5 Nm |
| Tightening torque max | 0.6 Nm |

Interfaces

| | |
|-----------|----------------------------------|
| Interface | IFS (Interface system data port) |
|-----------|----------------------------------|

LED signaling

| | |
|--------------------|--------------------|
| Types of signaling | LED |
| | Relay contact |
| | Interface/software |

Signal output

| | |
|---------------------------|-------------|
| Signalization designation | Power In OK |
| Status display | LED |
| Note on status display | Static to |
| | Static to |

Signal output: Switching output

| | |
|---------------------------|-----------|
| Signalization designation | Alarm |
| Status display | LED |
| Note on status display | Static to |
| Color | red |
| Note on status display | Static to |

Signal output: Switching output

| | |
|---------------------------|----------------|
| Signalization designation | Battery charge |
| Status display | LED bar graph |
| Note on status display | dynamic |
| Color | red/green |
| Note on status display | dynamic |

Signal output: Switching output

| | |
|---------------------------|--------------|
| Signalization designation | Battery mode |
| Status display | LED |
| Note on status display | Static to |

Uninterruptible power supply - QUINT-UPS/ 24DC/ 24DC/10/3.4AH



2320267

<https://www.phoenixcontact.com/pc/products/2320267>

| | |
|------------------------|-----------|
| Color | yellow |
| Note on status display | Static to |

Dimensions

| | |
|--------|--------|
| Width | 120 mm |
| Height | 169 mm |
| Depth | 125 mm |

Installation dimensions

| | |
|----------------------------------|---------------|
| Installation distance right/left | 5 mm / 5 mm |
| Installation distance top/bottom | 50 mm / 50 mm |

Material specifications

| | |
|----------------------|--------------------------------|
| Color | aluminium |
| Housing material | Metal |
| Type of housing | Steel sheet, zinc-plated |
| Side element version | Galvanized sheet steel, closed |
| Housing material | Steel sheet, zinc-plated |

Environmental and real-life conditions

Ambient conditions

| | |
|--|--|
| Degree of protection | IP20 |
| Ambient temperature (storage/transport) | -20 °C ... 40 °C |
| Ambient temperature (charge) | 0 °C ... 40 °C |
| Ambient temperature (discharge) | -20 °C ... 50 °C |
| Climatic class | 3K3 (in acc. with EN 60721) |
| Max. permissible relative humidity (operation) | ≤ 95 % (25 °C, non-condensing) |
| Shock | 18 ms, 30g, in each space direction (according to IEC 60068-2-27) |
| Vibration (operation) | < 15 Hz, amplitude ±2.5 mm (according to IEC 60068-2-6) 15 Hz ... 150 Hz, 2.3g t _v = 90 min. |

Approval data

| | |
|--------------|---|
| UL approvals | UL/C-UL Recognized UL 60950-1 UL Listed UL 508 |
|--------------|---|

EMC data

| | |
|-------------------------------------|---|
| Low Voltage Directive | Conformance with Low Voltage Directive 2014/35/EC |
| Electromagnetic compatibility | Conformance with EMC Directive 2014/30/EU |
| EMC requirements for noise emission | EN 61000-6-3 EN 61000-6-4 |
| EMC requirements for noise immunity | EN 61000-6-1 EN 61000-6-2 |

Uninterruptible power supply - QUINT-UPS/ 24DC/ 24DC/10/3.4AH



2320267

<https://www.phoenixcontact.com/pc/products/2320267>

| | |
|----------------------------|------------------------------------|
| Noise immunity | EN 61000-6-2:2005 |
| Electrostatic discharge | |
| Standards/regulations | EN 61000-4-2 |
| Electrostatic discharge | |
| Contact discharge | 8 kV (Test Level 4) |
| Discharge in air | 15 kV (Test Level 4) |
| Comments | Criterion A |
| Electromagnetic HF field | |
| Standards/regulations | EN 61000-4-3 |
| Electromagnetic HF field | |
| Frequency range | 80 MHz ... 1 GHz |
| Test field strength | 20 V/m |
| Frequency range | 1 GHz ... 3 GHz |
| Test field strength | 10 V/m |
| Frequency range | 2 GHz ... 3 GHz |
| Test field strength | 3 V/m |
| Comments | Criterion A |
| Fast transients (burst) | |
| Standards/regulations | EN 61000-4-4 |
| Fast transients (burst) | |
| Input | 2 kV (Test Level 3 - asymmetrical) |
| Output | 2 kV (Test Level 3 - asymmetrical) |
| Signal | 2 kV (Test Level 4 - asymmetrical) |
| Comments | Criterion A |
| Surge voltage load (surge) | |
| Standards/regulations | EN 61000-4-5 |
| Input | 1 kV (Test Level 2 - symmetrical) |
| | 2 kV (Test Level 3 - asymmetrical) |
| Output | 1 kV (Test Level 2 - symmetrical) |
| | 2 kV (Test Level 3 - asymmetrical) |
| Signal | 1 kV (Test Level 2 - asymmetrical) |
| Comments | Criterion A |
| Conducted interference | |
| Standards/regulations | EN 61000-4-6 |
| Conducted interference | |
| I/O/S | asymmetrical |
| Frequency range | 0.15 MHz ... 80 MHz |
| Comments | Criterion A |

Uninterruptible power supply - QUINT-UPS/ 24DC/ 24DC/10/3.4AH



2320267

<https://www.phoenixcontact.com/pc/products/2320267>

| | |
|---------|---------------------|
| Voltage | 10 V (Test Level 3) |
|---------|---------------------|

Emitted interference

| | |
|--|--|
| Standards/regulations | EN 61000-6-3 |
| Radio interference voltage in acc. with EN 55011 | EN 55011 (EN 55022) Class B, area of application: Industry and residential |
| Emitted radio interference in acc. with EN 55011 | EN 55011 (EN 55022) Class B, area of application: Industry and residential |

Criteria

| | |
|-------------|--|
| Criterion A | Normal operating behavior within the specified limits. |
| Criterion B | Temporary impairment to operational behavior that is corrected by the device itself. |

Standards and regulations

| | |
|--|----------------------------|
| Rail applications | EN 50121-4 |
| Standard – Electronic equipment for use in electrical power installations and their assembly into electrical power installations | EN 50178/VDE 0160 (PELV) |
| Standard - Electrical safety | EN 60950-1/VDE 0805 (SELV) |
| | EN 61558-2-17 |

Mounting

| | |
|-----------------------|--|
| Mounting type | DIN rail mounting |
| Assembly instructions | alignable: horizontal 5 mm, vertical 50 mm |
| Mounting position | horizontal DIN rail NS 35, EN 60715 |

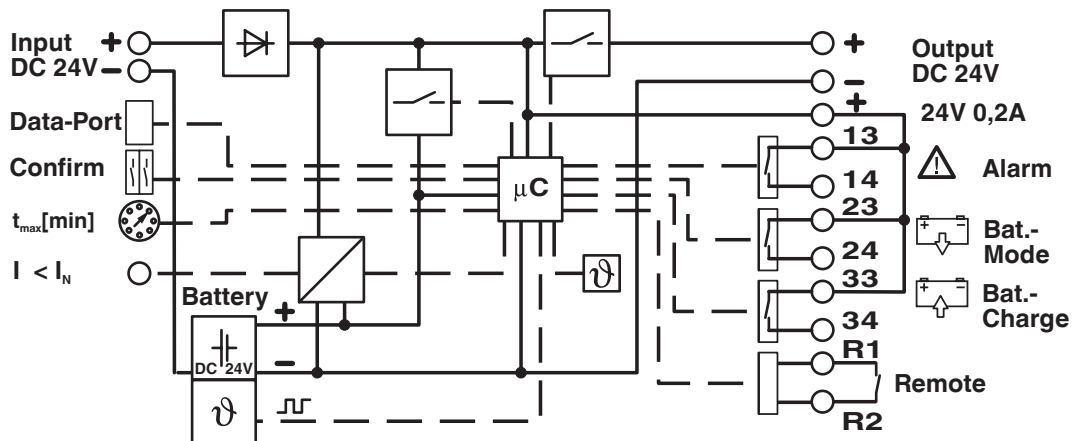
Uninterruptible power supply - QUINT-UPS/ 24DC/ 24DC/10/3.4AH

2320267

<https://www.phoenixcontact.com/pc/products/2320267>

Drawings

Block diagram



Uninterruptible power supply - QUINT-UPS/ 24DC/ 24DC/10/3.4AH



2320267

<https://www.phoenixcontact.com/pc/products/2320267>

Approvals



cUL Recognized
Approval ID: FILE E 211944



UL Recognized
Approval ID: FILE E 211944



EAC
Approval ID: EAC-Zulassung



UL Listed
Approval ID: FILE E 123528



cUL Listed
Approval ID: FILE E 123528



KC
Approval ID: R-R-PCK-2320267



cUL Listed
Approval ID: FILE E 199827



UL Listed
Approval ID: FILE E 199827

cULus Recognized

cULus Listed

cULus Listed

Uninterruptible power supply - QUINT-UPS/ 24DC/ 24DC/10/3.4AH



2320267

<https://www.phoenixcontact.com/pc/products/2320267>

Classifications

ECLASS

| | |
|---------------|----------|
| ECLASS-9.0 | 27040705 |
| ECLASS-10.0.1 | 27040705 |
| ECLASS-11.0 | 27040705 |

ETIM

| | |
|----------|----------|
| ETIM 8.0 | EC000382 |
|----------|----------|

UNSPSC

| | |
|-------------|----------|
| UNSPSC 21.0 | 39121000 |
|-------------|----------|

Uninterruptible power supply - QUINT-UPS/ 24DC/ 24DC/10/3.4AH



2320267

<https://www.phoenixcontact.com/pc/products/2320267>

Environmental Product Compliance

| | |
|------------|--|
| REACH SVHC | Lead 7439-92-1 |
| China RoHS | Environmentally Friendly Use Period = 3 |
| | For information on hazardous substances, refer to the manufacturer's declaration available under "Downloads" |

Uninterruptible power supply - QUINT-UPS/ 24DC/ 24DC/10/3.4AH



2320267

<https://www.phoenixcontact.com/pc/products/2320267>

Accessories

Data cable

Data cable - IFS-USB-DATACABLE - 2320500

<https://www.phoenixcontact.com/pc/products/2320500>

Used for communicating between industrial PCs and Phoenix Contact devices with the 12-pos. IFS data port, such as QUINT UPS or TRIO UPS.



Data cable

Data cable - IFS-RS232-DATACABLE - 2320490

<https://www.phoenixcontact.com/pc/products/2320490>

Data cable for communication between devices with a D-SUB 9 RS-232 connection and Phoenix Contact devices with the 12-pos. IFS data port such as QUINT UPS-IQ or TRIO UPS.



Uninterruptible power supply - QUINT-UPS/ 24DC/ 24DC/10/3.4AH



2320267

<https://www.phoenixcontact.com/pc/products/2320267>

Data cable

Data cable - IFS-MINI-DIN-DATACABLE - 2320487

<https://www.phoenixcontact.com/pc/products/2320487>



Data cable for communication, e.g., between Phoenix Contact type ILC 1xx Inline controllers and Phoenix Contact devices with the 12-pos. IFS data port, such as QUINT UPS-IQ UPS or TRIO UPS

Data cable

Data cable - IFS-OPEN-END-DATACABLE - 2320450

<https://www.phoenixcontact.com/pc/products/2320450>



Data cable with open cable ends for communication, e.g., between a Phoenix Contact Inline communication terminal (IB IL RS UNI-PAC, 2700893) and Phoenix Contact devices with the 12-pos. IFS data port, such as QUINT UPS-IQ or TRIO UPS

Uninterruptible power supply - QUINT-UPS/ 24DC/ 24DC/10/3.4AH



2320267

<https://www.phoenixcontact.com/pc/products/2320267>

Mounting adapter

Mounting adapter - QUINT-PS-ADAPTERS7/1 - 2938196

<https://www.phoenixcontact.com/pc/products/2938196>

Assembly adapter for QUINT-PS... power supply on S7-300 rail

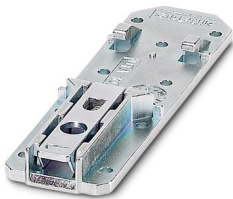


Mounting adapter

Mounting adapter - UTA 107/30 - 2320089

<https://www.phoenixcontact.com/pc/products/2320089>

Universal DIN rail adapter



Uninterruptible power supply - QUINT-UPS/ 24DC/ 24DC/10/3.4AH



2320267

<https://www.phoenixcontact.com/pc/products/2320267>

Mounting adapter

Mounting adapter - LM-S-UWA - 2907466

<https://www.phoenixcontact.com/pc/products/2907466>



Universal wall adapter for the easy and professional mounting of the LM-S evaluation unit directly on the wall/on a mounting plate.

Fuse

Fuse - FUSE 15A/32V FKS ATO - 2908361

<https://www.phoenixcontact.com/pc/products/2908361>



Fuse, nominal current: 15 A, length: 19 mm, width: 5 mm, height: 13 mm

Uninterruptible power supply - QUINT-UPS/ 24DC/ 24DC/10/3.4AH



2320267

<https://www.phoenixcontact.com/pc/products/2320267>

Memory block

Memory block - IFS-CONFSTICK-L - 2901103

<https://www.phoenixcontact.com/pc/products/2901103>



Multi-functional memory block with handle for the INTERFACE system; for easy storage and back up of the configuration.

Uninterruptible power supply replacement battery

Uninterruptible power supply replacement battery - UPS-BAT-KIT/PB/2X12V/4AH - 1283116

<https://www.phoenixcontact.com/pc/products/1283116>



Replacement battery, VRLA-AGM, 2x12 V DC, 4 Ah. Only for 1274117 UPS-BAT/PB/24DC/4AH, 2320267 QUINT-UPS/24DC/24DC/10/3.4AH from V/C 06, 2905908 TRIO-UPS-2G/1AC/1AC/120V/750VA, and 2905909 TRIO-UPS-2G/1AC/1AC/230V/750VA

Phoenix Contact 2023 © - all rights reserved

<https://www.phoenixcontact.com>

PHOENIX CONTACT GmbH & Co. KG

Flachsmarktstraße 8

D-32825 Blomberg

+49 (0) 5235-3 00

info@phoenixcontact.com